

1607-XT50D1A, 1607-XT100D1A, 1607-XT100D1B**‡, 1607-XT200D1A‡, 1607-XT200D1B**‡, 1607-XT200D2A‡, 1607-XT200D2B**‡

ATTENTION!

- Disconnect power prior to installation or servicing
- Installation only by Qualified personal
- Follow all applicable local and national electrical codes
- Technical Data subject to change
- To be used only within specifications (ie Input voltage, Operating Temperature Range, etc)
- All specifications are only valid when connected per recommendations.

Technical Data:

	50 W	100 W	200 W, 1 Output	200 W, 2 Output
Floating Output:	1607-XT50D1A	1607-XT100D1A	1607-XT200D1A (‡)	1607-XT200D2A (‡)
Grounded Output:		1607-XT100D1B (**‡)	1607-XT200D1B (**‡)	1607-XT200D2B (**‡)
Output Power	48.0 W	91.2 W	192 W (288 W with Power Boost)	91.2 W per output (Two outputs per power supply)
Input Voltage (47...63Hz)	100...240V AC, 100...300V DC			
Operational Voltage Range	90...264V AC, 100...300V DC			
Power Factor Correction (47...63Hz)	-		>0.98 active	
Hold-up Time	50ms			
Rated Input Current	1.0 A (115V AC), 0.5 A(230V AC); Imax 1.5A	2.0 A (115V AC), 1.0 A(230V AC); Imax 2.0A	2.4 A (115V AC), 1.2 A(230V AC); Imax 2.5A	2.2 A (115V AC), 1.1 A(230V AC); Imax 2.5A
Inrush Current	<25 A			
Efficiency	>88%, 120V AC; >89%, 230V AC		>82%, 120V AC; >85%, 230V AC	
Output Voltage	24V (+1%)			
Rated Output Current	2.0 A	3.8 A	8A	3.8 A per output (two outputs per power supply)
Reserve Power (typ. 4s, 60s recovery me)	-		12A	-
Ripple Voltage	<240 mV pp bandwidth, 1 MHz			
Noise	<480 mV pp bandwidth, 20 MHz			
Overcurrent Protection	electronic current limited to 2.2...2.7 A	electronic current limited to 3.8...4.1 A	electronic current limited to 12.1...15.6 A (8.4...10.4 A after 4s Power Boost times out)	electronic current limited to 3.8...4.1 A
AC Power LED (Indication for Output 1)	yes			
AC Power LED (Indication for Output 2)	-		yes	
Operating Temperature Range (Tamb)	-25...+70 °C derate 2.5%/K, 50...70 °C		-25...+60 °C derate 2.0%/K, 50...60 °C ⁽²⁾	
Non-Operating (Storage) Temperature Range	-40...+85 °C			
Humidity	up to 100% with condensation			
MTBF ⁽¹⁾	>500 000 hours			
Dimensions (W x H x D)	140 x 36 x 85 mm (5.51 x 1.42 x 3.35 in.)		245 x 74 x 122 mm (9.64 x 2.91 x 4.80 in.)	
Weight	750 g (1.65 lb)		3040 g (6.70 lb)	
Ingress Protection	IP67, EN 60529			
Certifications/Standards	CE, UL 508 (UL LISTED), UL 60950 (cURus), Safety Standards = IEC/EN 60950, EN 60529			
Special Features	NEC Class 2		-	
Mounting Recommendations	Clearance of 150mm above power supply. Clearance of 50mm on all other surfaces excluding mounting surface. (See diagram on page 2)		Panel mounted with vertically oriented heat sinks. Clearance of 150mm above power supply, 50mm on all other surfaces. (See diagram on page 2)	

⁽¹⁾ MTBF determined by Siemens norm SN 29500 at full load current and 40 °C.

⁽²⁾ For IT applications per UL60950, the maximum ambient temperature at full load current is 30 °C.

** These devices are intended only for installation in control circuits on Industrial Machines in accordance with NFPA 79. Due to the nature of these devices (fixed equipment using cable connections) they may not be suitable for installation in accordance with the NEC (NFPA 70).

‡ This is a protection class 1 unit, connection to PE (earth ground) is mandatory.

APPLICATION NOTE:	Isolated Output by Double or Reinforced Insulation per UL60950-1	SELV circuits	PELV circuits
Floating Output:	YES	YES	YES
Grounded Output:	YES	NO	YES



At the end of its life, this equipment should be collected separately from any unsorted municipal waste.

TABLE 2: Power Supply with Protective Earth Output

CONNECTIONS:

Floating Output Products: 1607-XT50D1A, 1607-XT100D1A, 1607-XT200D1A (‡), 1607-XT200D2A (‡)

INPUT CONNECTIONS:



Pin	Color	1607-XT50D1A	1607-XT100D1A	1607-XT200D1A	1607-XT200D2A
1	Green / Yellow	NC	NC	PE	PE
2	White	L	L	L	L
3	Black	N	N	N	N

*This is a protection class 1 unit, connection to PE (earth ground) is mandatory.

Recommended : (Customer Supplied)

3 Position Female
Daniel Woodhead PN 103000A01M**0
(...M**0 = 02,04,05,06,10,15,20,25
meters common lengths)

OUTPUT CONNECTIONS:



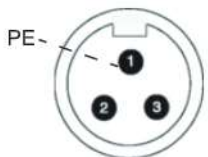
Pin	Color	1607-XT50D1A	1607-XT100D1A	1607-XT200D1A	1607-XT200D2A
1	White	+	+	+	+
2	Black	+	+	+	+
3	Red	-	-	-	-
4	Green / Yellow	-	-	-	-

Recommended : (Customer Supplied)

4 Position Male
Daniel Woodhead PN 104006A01M **0
(...M**0 = 02,04,05,06,10,15,20,25
meters common lengths)

Grounded Output Products: 1607-XT100D1B (**‡), 1607-XT200D1B (**‡), 1607-XT200D2B (**‡)

INPUT CONNECTIONS:



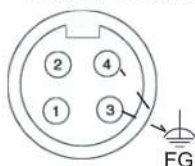
Pin	Color	1607-XT100D1B	1607-XT200D1B	1607-XT200D2B
1	Green / Yellow	PE	PE	PE
2	White	L	L	L
3	Black	N	N	N

*This is a protection class 1 unit, connection to PE (earth ground) is mandatory.

Recommended : (Customer Supplied)

3 Position Female
Daniel Woodhead PN 103000A01M**0
(...M**0 = 02,04,05,06,10,15,20,25
meters common lengths)

OUTPUT CONNECTIONS:

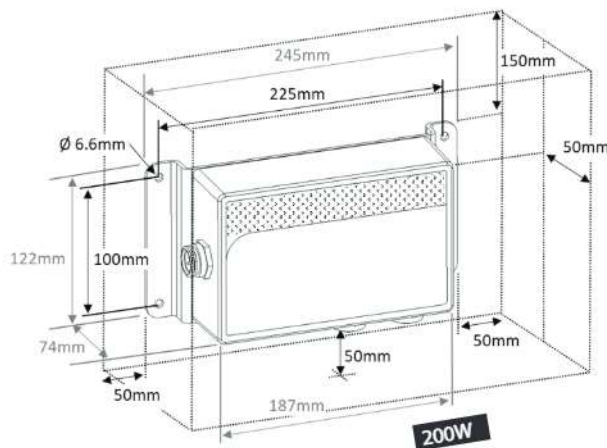
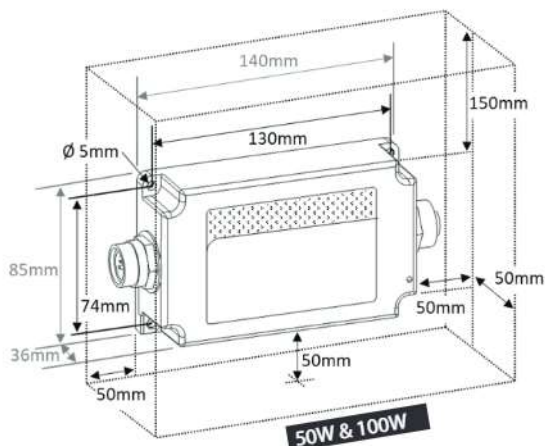


Pin	Color	1607-XT100D1B	1607-XT200D1B	1607-XT200D2B
1	White	+	+	+
2	Black	+	+	+
3	Red	- FG	- FG	- FG
4	Green / Yellow	- FG	- FG	- FG

Recommended : (Customer Supplied)

4 Position Male
Daniel Woodhead PN 104006A01M **0
(...M**0 = 02,04,05,06,10,15,20,25
meters common lengths)

MOUNTING and CLEARANCES:



For Technical Support, visit rok.auto/support.

Rockwell Automation maintains current product environmental compliance information on its website at rok.auto/pec.

Product certificates are located in the Rockwell Automation Literature Library: rok.auto/certifications.

Rockwell Otomasyon Ticaret A.Ş., Kar Plaza İş Merkezi E Blok Kat:6 34752 İçerenköy, İstanbul, Tel: +90 (216) 5698400

EEE Yönetmeliğine Uygundur.

rockwellautomation.com

expanding human possibility™

AMERICAS: Rockwell Automation, 1201 South Second Street, Milwaukee, WI 53204-2496 USA, Tel: (1) 414.382.2000, Fax: (1) 414.382.4444

EUROPE/MIDDLE EAST/AFRICA: Rockwell Automation NV, Pegasus Park, De Kleetlaan 12a, 1831 Diegem, Belgium, Tel: (32) 2 663 0600, Fax: (32) 2 663 0640

ASIA PACIFIC: Rockwell Automation, Level 14, Core F, Cyberport 3, 100 Cyberport Road, Hong Kong, Tel: (852) 2887 4788, Fax: (852) 2508 1846

DIR 10000065097 (Version 06)

Publication 1607-IN001G-EN-E - July 2020

Copyright © 2020 Rockwell Automation, Inc. All Rights Reserved. Printed in Germany.

(2)

Connect with us.



**Rockwell
Automation**