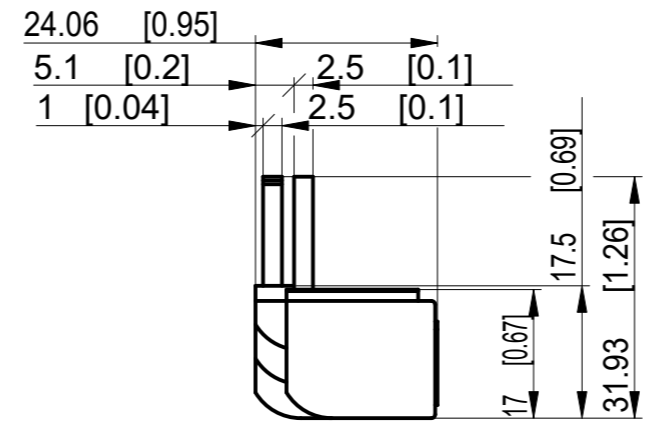
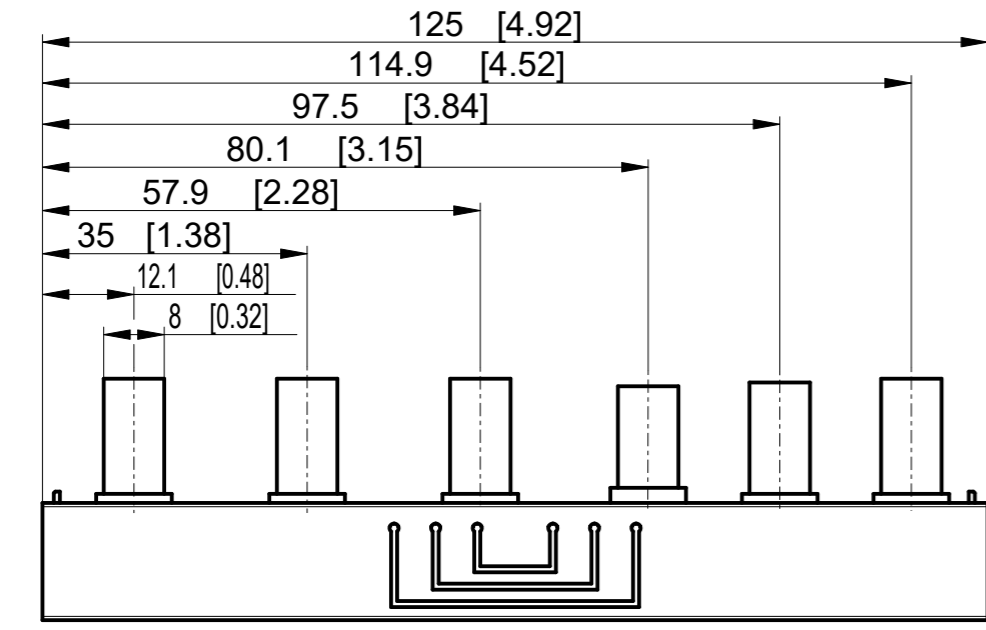
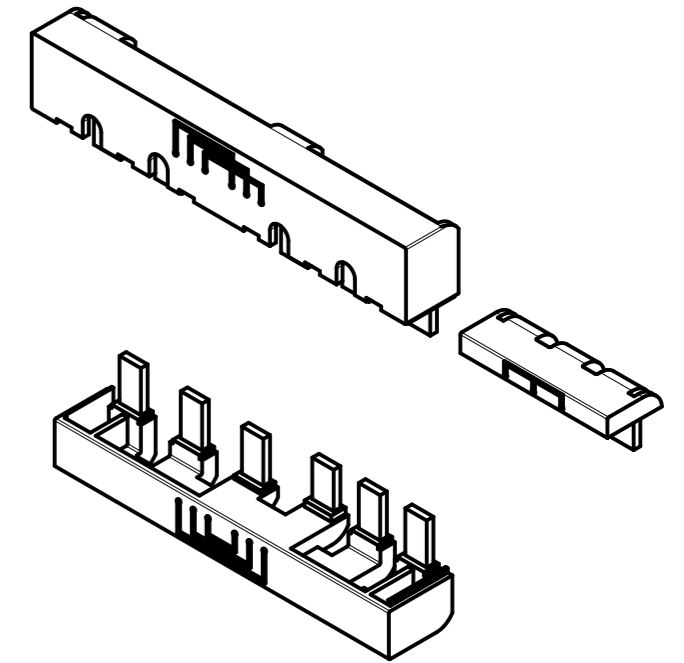
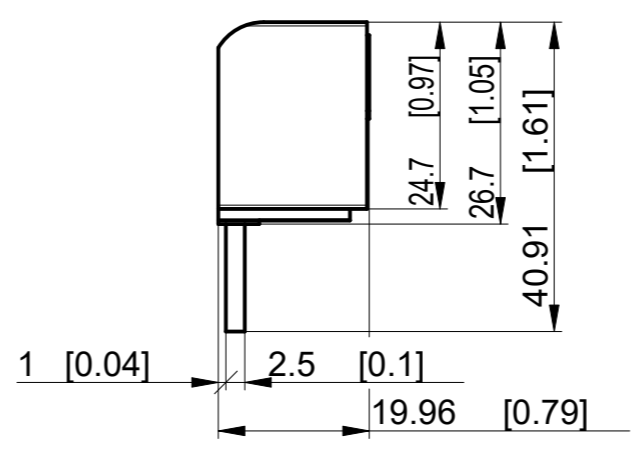
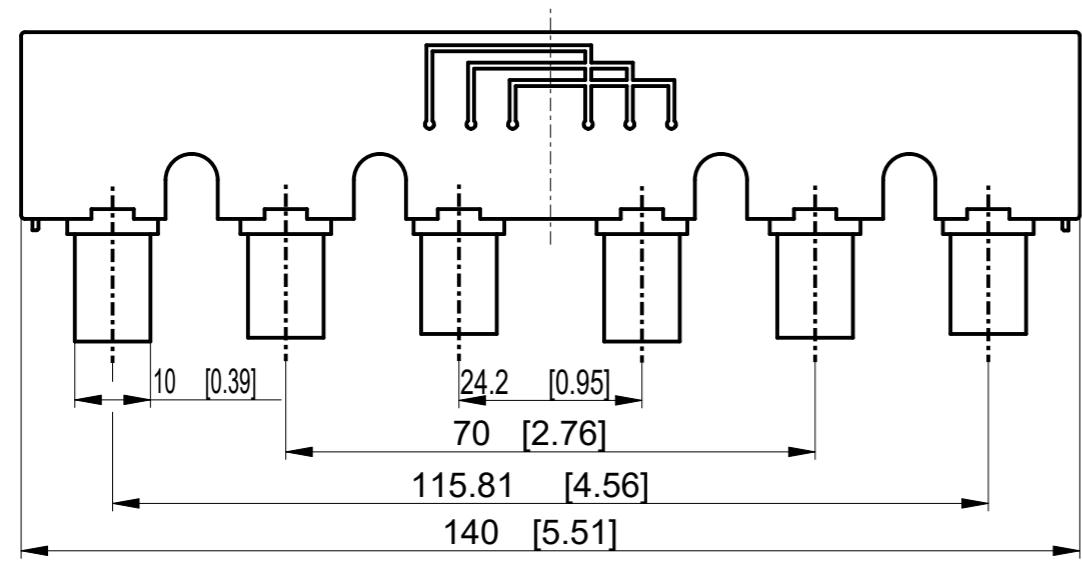


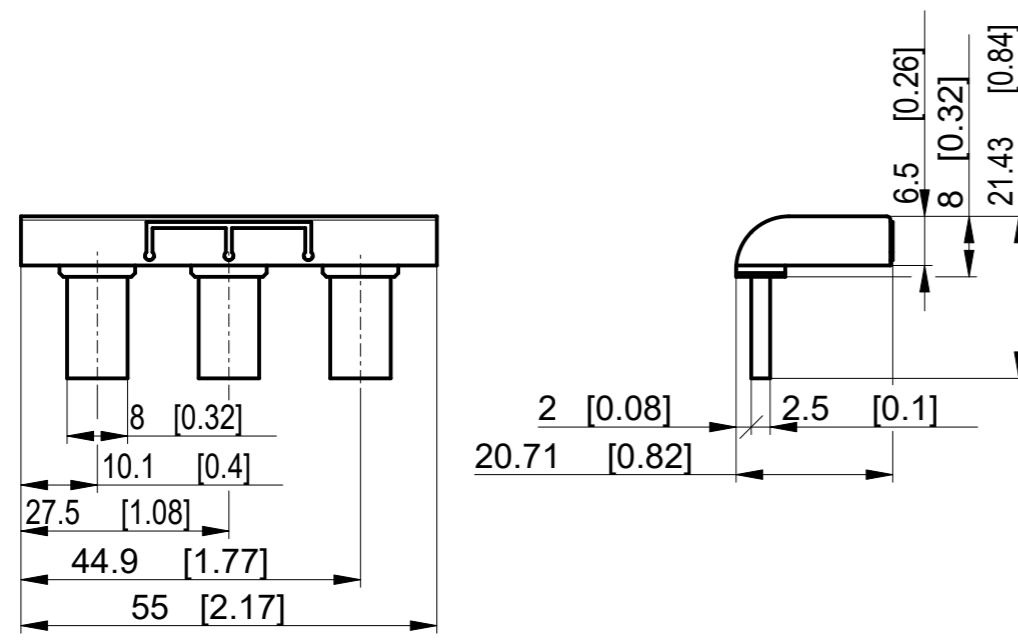
170-PW96

CRITICAL TO QUALITY CLASSIFICATION TABLE					
		P	F	A	R
					X
COMMENTS	DRAWING ZONE				
ROHS	G1-H1				



-Dimensions are shown in mm [inches]
 -Dimensions are not intended to be used for manufacturing purposes

MUST COMPLY WITH ROCKWELL AUTOMATION ENVIRONMENTAL SPECIFICATION 970-20-01



WORKMANSHIP STANDARDS	FINISH	MATERIAL	10005957068	PN-519690
ALL UNDIMENSIONED GEOMETRIES ARE CONTROLLED BY THE CAD MODEL. IN CASE OF DIMENSION DISCREPANCY, CAD MODEL OVERRIDES.				CONFIDENTIAL AND PROPRIETARY INFORMATION. THIS DOCUMENT CONTAINS CONFIDENTIAL AND PROPRIETARY INFORMATION OF ROCKWELL AUTOMATION, INC. AND MAY NOT BE USED, COPIED OR DISCLOSED TO OTHERS, EXCEPT WITH THE AUTHORIZED WRITTEN PERMISSION OF ROCKWELL AUTOMATION, INC.
FIRST ANGLE PROJECTION	DESCRIPTION	170-PW96	DATE:2021-03-29	SHEET 1 OF 1
			SIZE DIR	VER
			A3 10006085973	00
	CREATED BY:C.Gloor	CHANGED BY:C.Gloor		