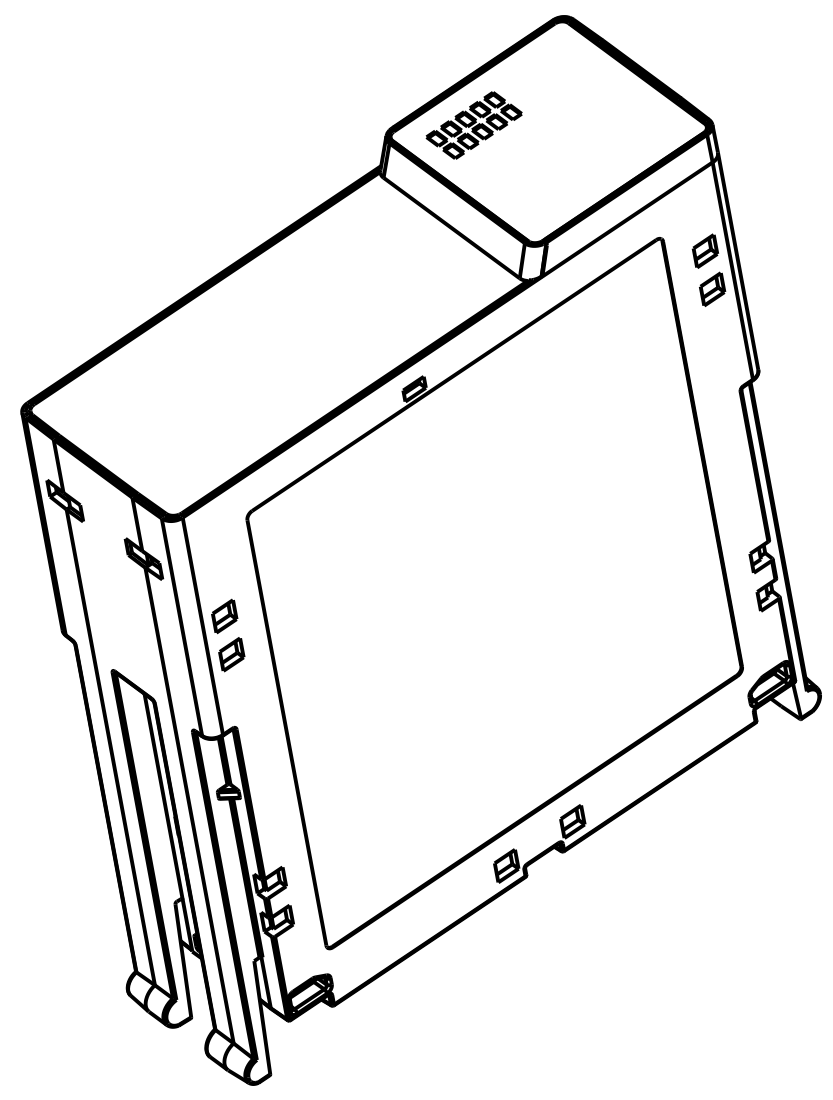
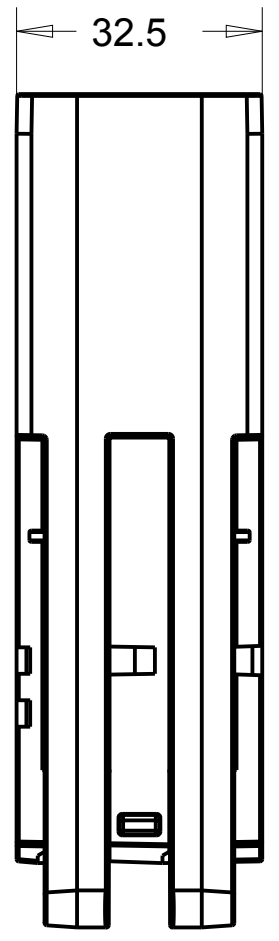
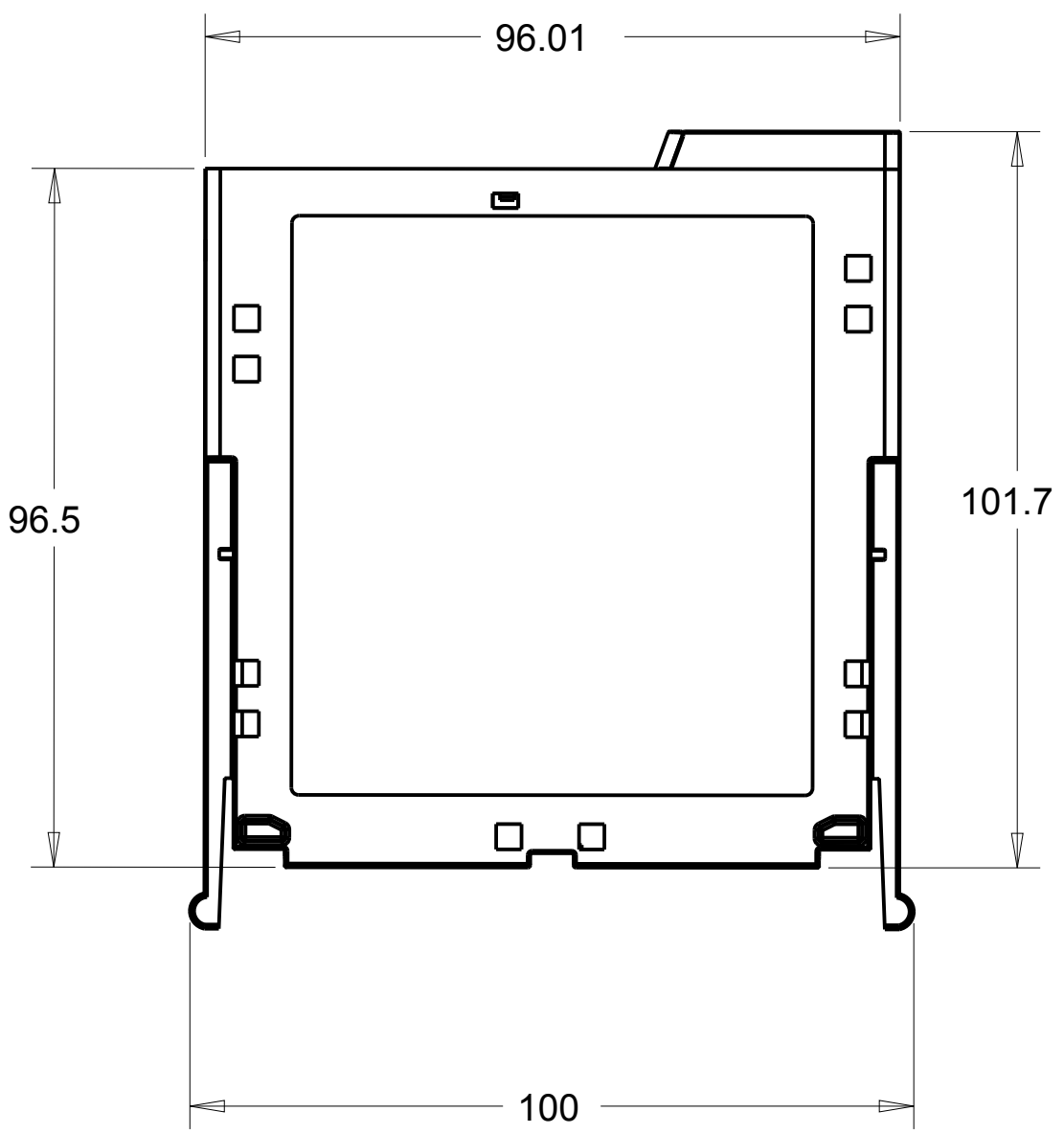
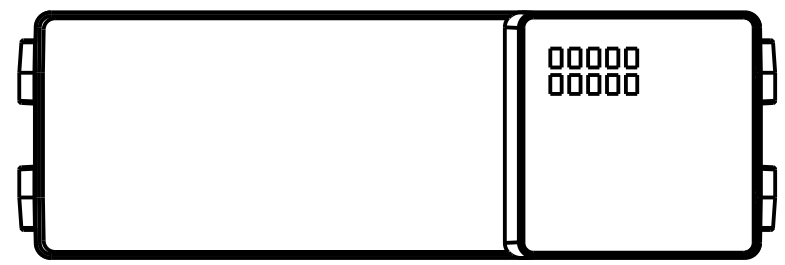


1 2 3 4 5 6 7 8

A
B
C
D
E
F
G
H



**Rockwell
Automation**

1719-IBN8B_DC INPUT

Drawn by: DDeenad

Date: 20-July-2016

CONFIDENTIAL AND PROPRIETARY INFORMATION.
THIS DOCUMENT CONTAINS CONFIDENTIAL AND PROPRIETARY
INFORMATION OF ROCKWELL AUTOMATION, INC. AND MAY
NOT BE USED, COPIED OR DISCLOSED TO OTHERS, EXCEPT
WITH THE AUTHORIZED WRITTEN PERMISSION OF ROCKWELL
AUTOMATION, INC.

Sheet 1 Of 1

Size

B

Ver

00