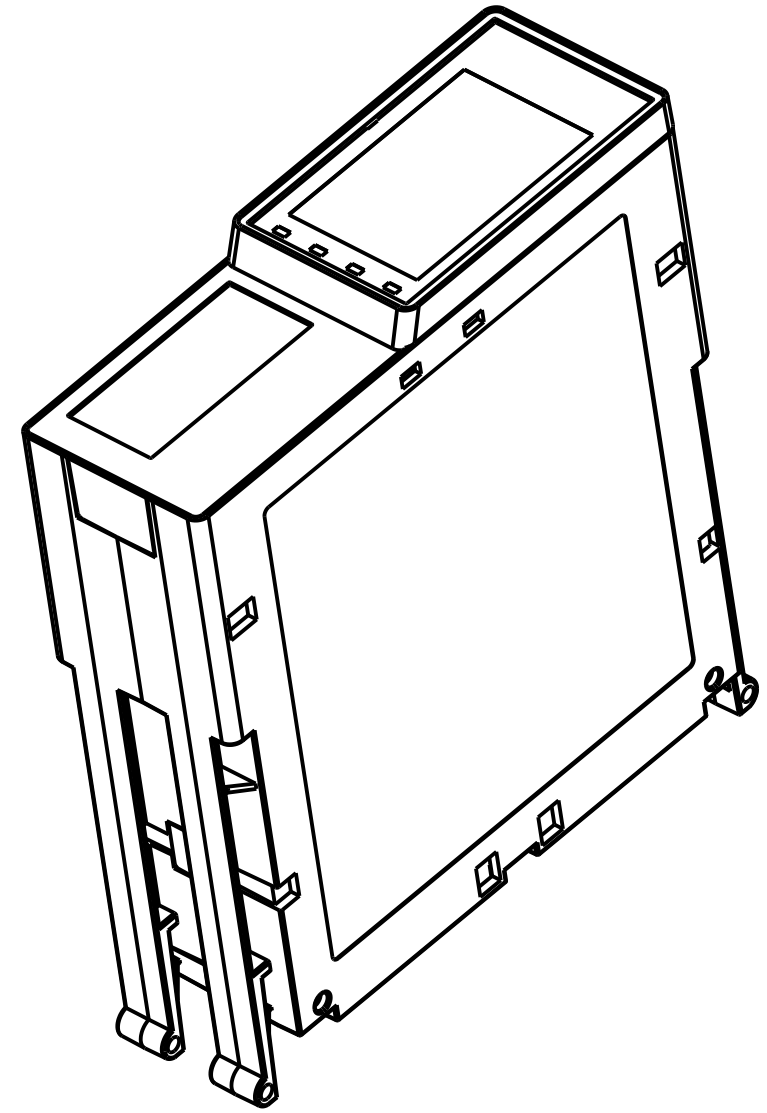
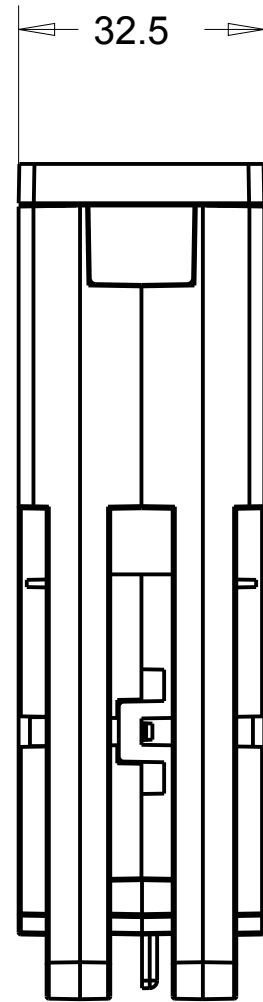
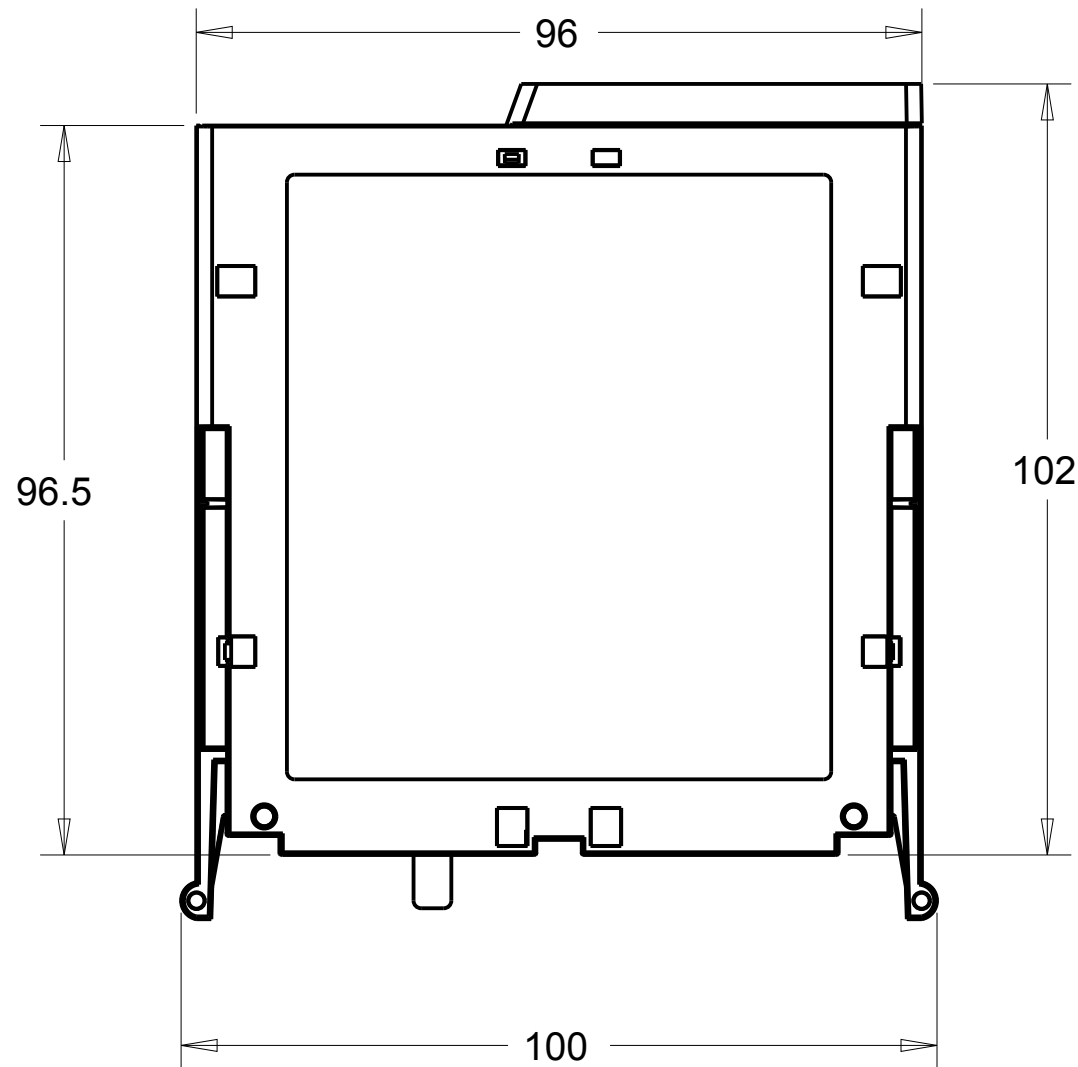
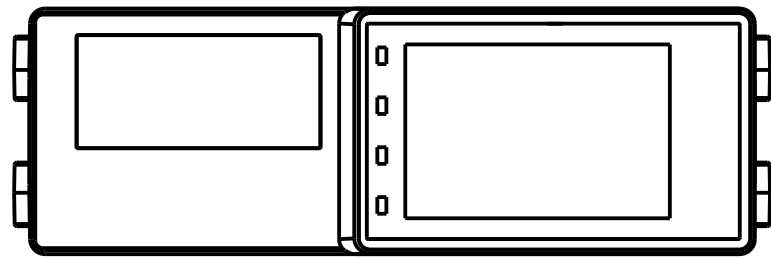


1 2 3 4 5 6 7 8

A  
B  
C  
D  
E  
F  
G  
H



**Rockwell  
Automation**

1719-AENTR\_ADAPTER

Drawn by: DDeenad

Date: 29-August-2016

CONFIDENTIAL AND PROPRIETARY INFORMATION.  
THIS DOCUMENT CONTAINS CONFIDENTIAL AND PROPRIETARY  
INFORMATION OF ROCKWELL AUTOMATION, INC. AND MAY  
NOT BE USED, COPIED OR DISCLOSED TO OTHERS, EXCEPT  
WITH THE AUTHORIZED WRITTEN PERMISSION OF ROCKWELL  
AUTOMATION, INC.

Sheet 1 Of 1

Size

B

Ver

00