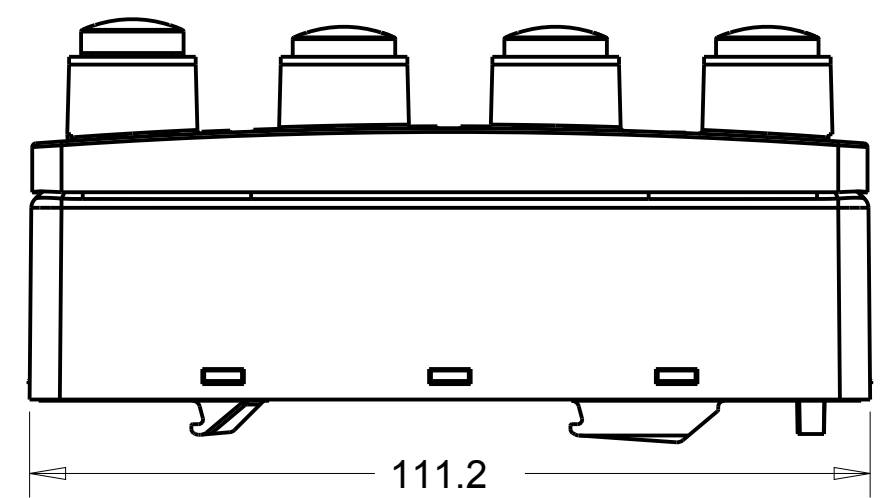
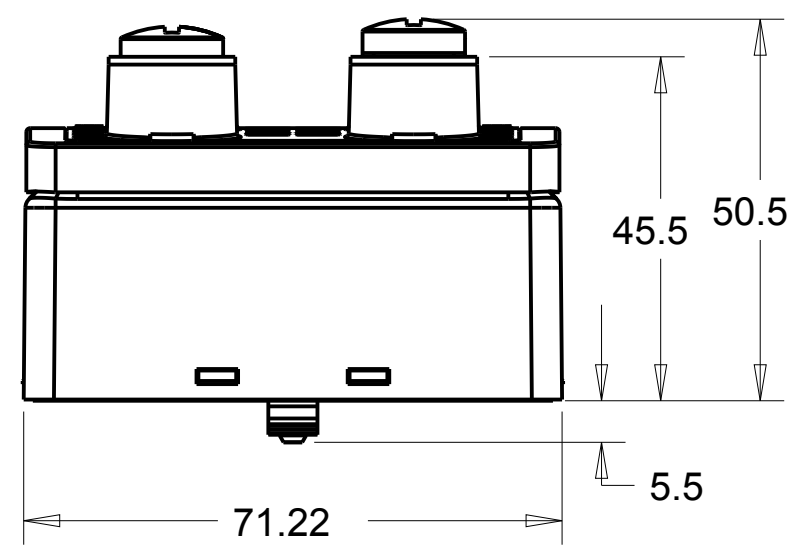
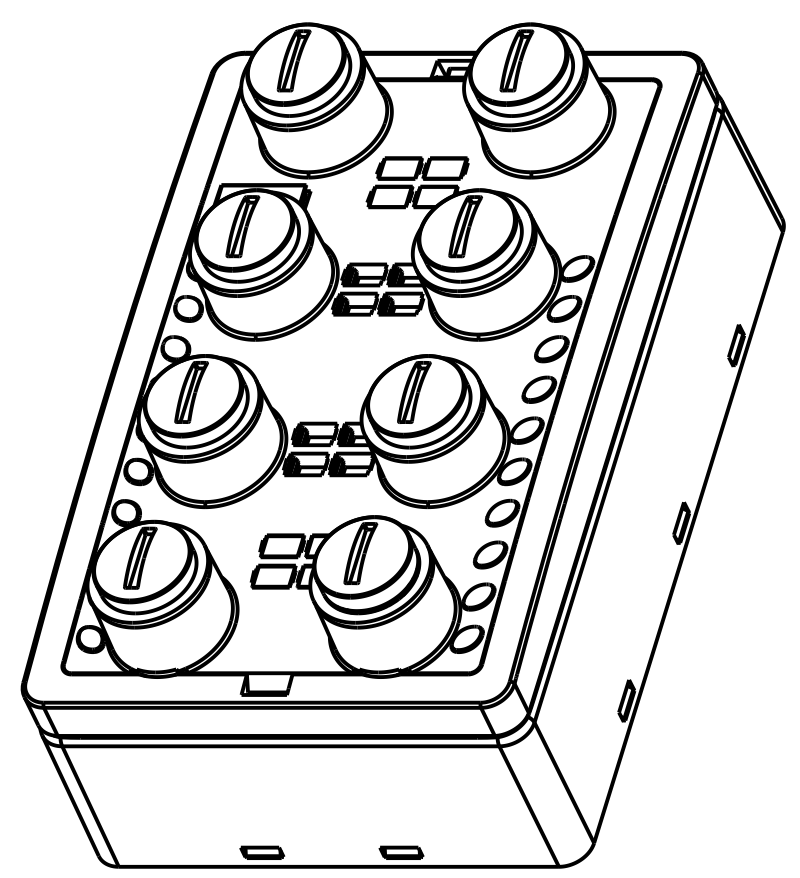
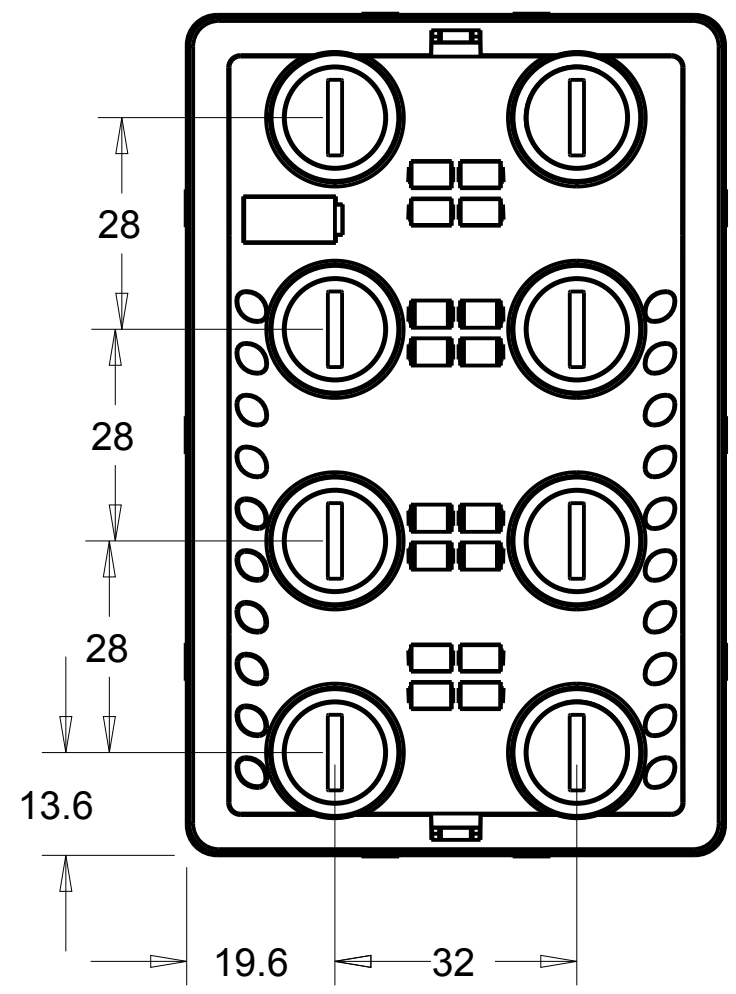


1 2 3 4 5 6 7 8

A
B
C
D
E
F
G
H



02	1738-OB16EM12	ArmorPoint 16 Point Input Module
01	1738-IB16DM12	ArmorPoint 16 Point Input Module
NO	CATALOG	DESCRIPTION

Rockwell Automation		CONFIDENTIAL AND PROPRIETARY INFORMATION. THIS DOCUMENT CONTAINS CONFIDENTIAL AND PROPRIETARY INFORMATION OF ROCKWELL AUTOMATION, INC. AND MAY NOT BE USED, COPIED OR DISCLOSED TO OTHERS, EXCEPT WITH THE AUTHORIZED WRITTEN PERMISSION OF ROCKWELL AUTOMATION, INC.	
1738-16M12, ASSY DRAWING		Sheet 1 Of 1	
Drawn by: YSUPRIA		Size B	Ver 00
Date: MAR-31-2014		10001075549	