

1

2

3

4

5

6

7

8

A

B

C

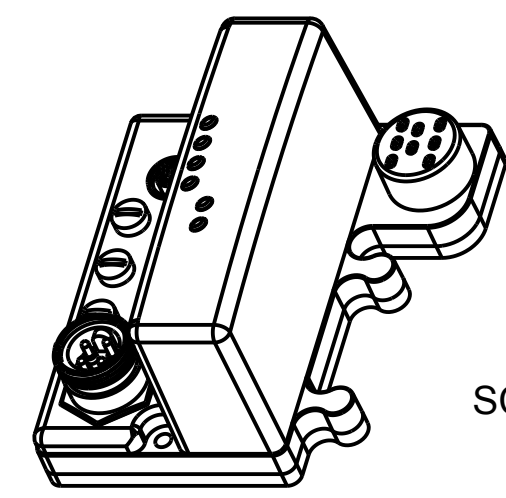
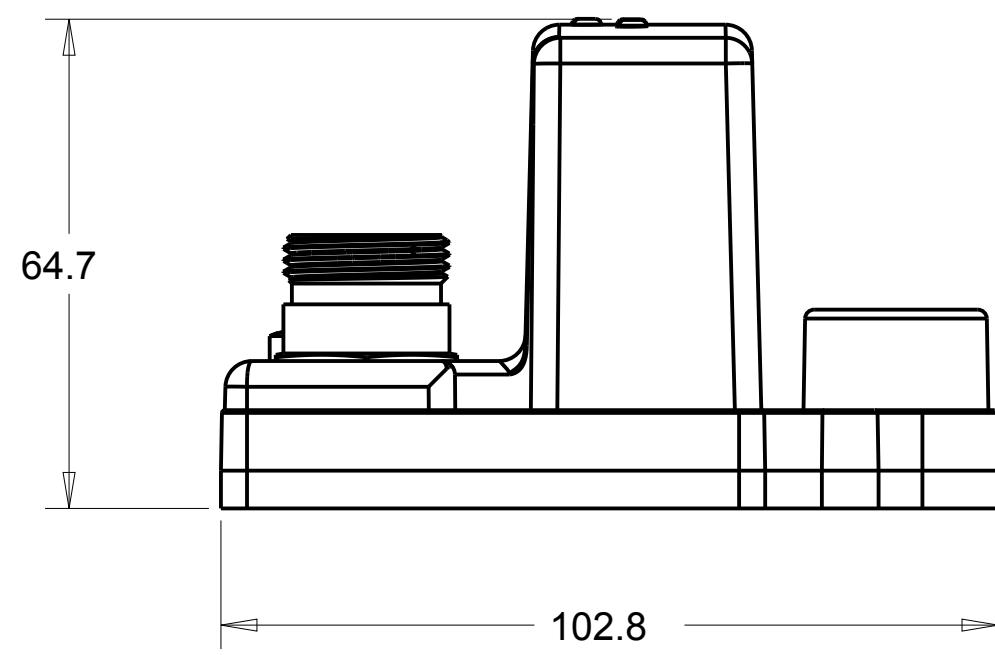
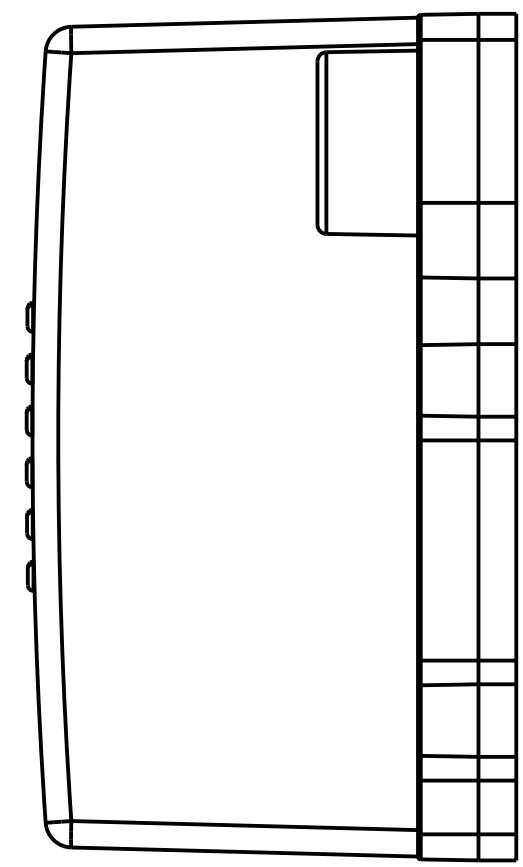
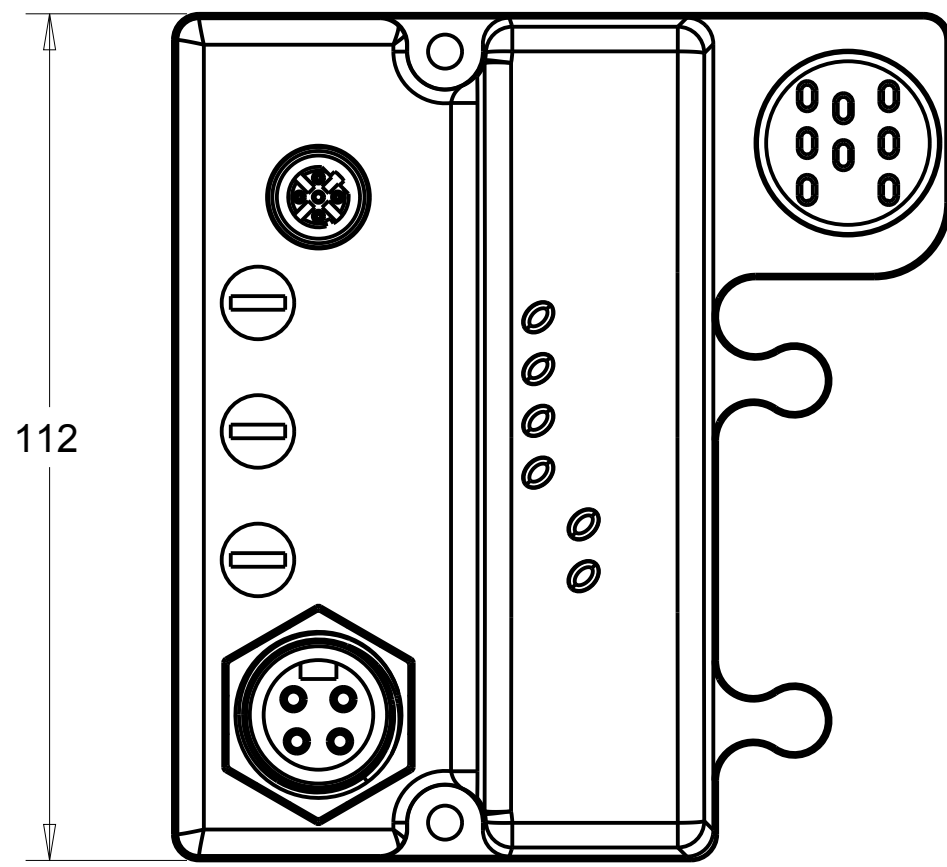
D

E

F

G

H



SCALE 0.500

**Rockwell Automation**

1738-AENT, ASSEMBLY, DRAWING

Drawn by: YSUPRIA

Date: OCT-31-2014

CONFIDENTIAL AND PROPRIETARY INFORMATION. THIS DOCUMENT CONTAINS CONFIDENTIAL AND PROPRIETARY INFORMATION OF ROCKWELL AUTOMATION, INC. AND MAY NOT BE USED, COPIED OR DISCLOSED TO OTHERS, EXCEPT WITH THE AUTHORIZED WRITTEN PERMISSION OF ROCKWELL AUTOMATION, INC.

Sheet 1 Of 1

Size		Ver
<b>B</b>	<b>10001385377</b>	<b>00</b>