

1

2

3

4

5

6

7

8

A

B

C

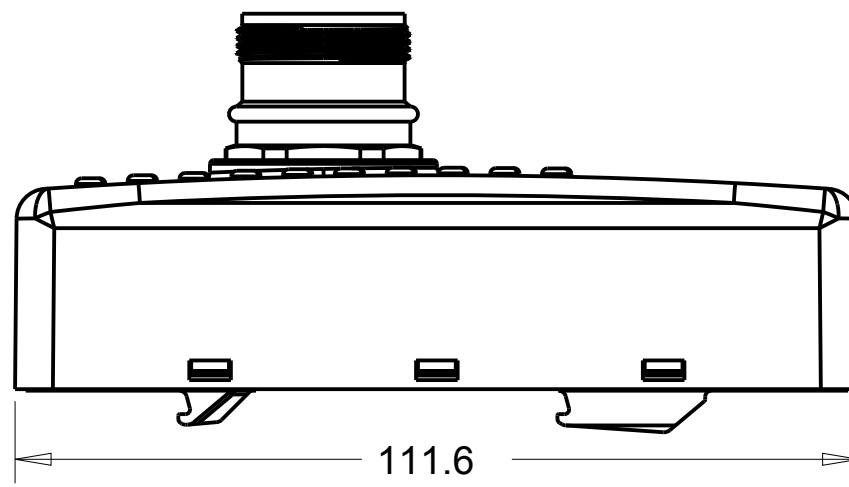
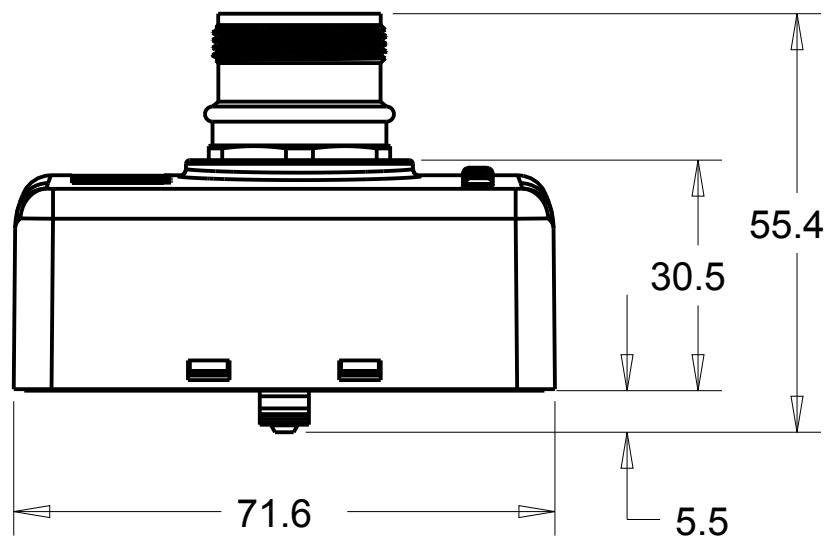
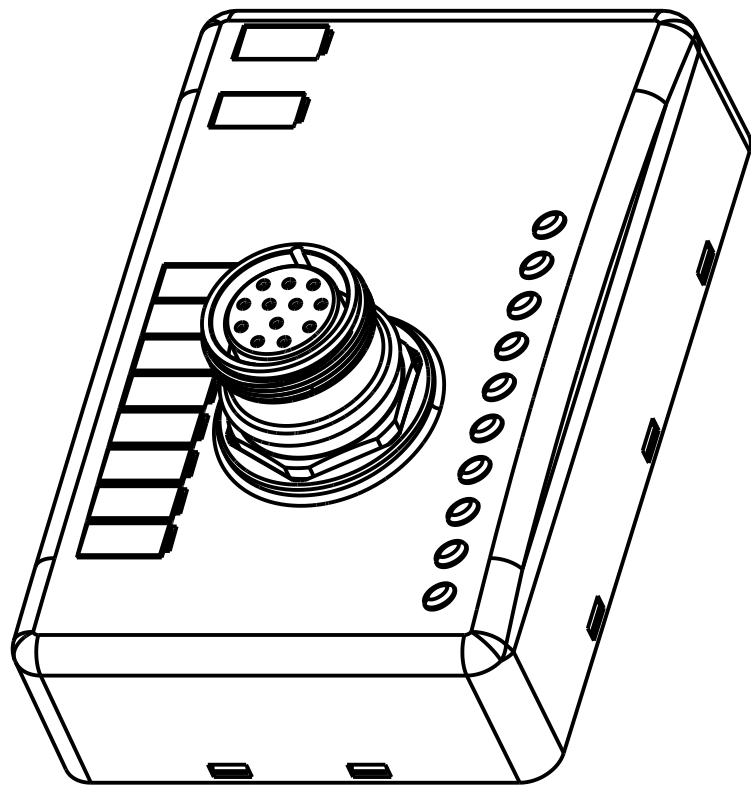
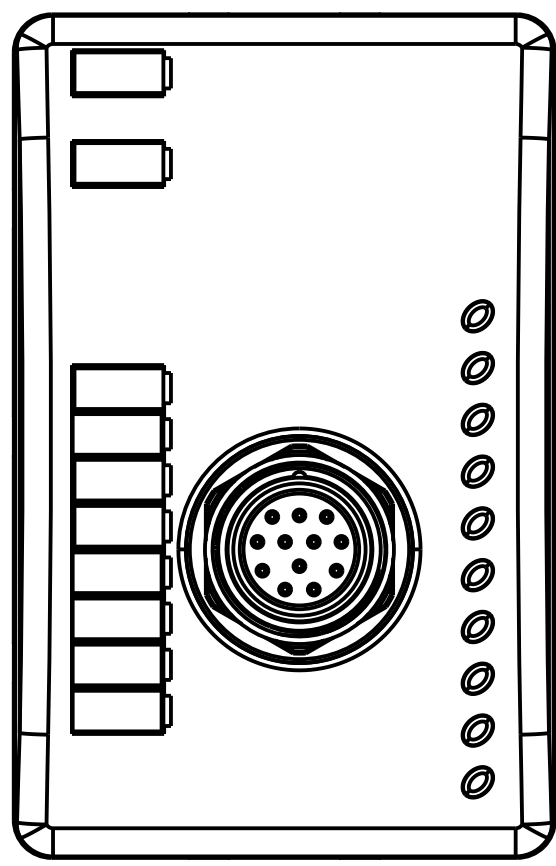
D

E

F

G

H



05	1738-IJM23	ArmorPoint Incremental Encoder Interface
04	1738-SSIM23	ArmorPoint I/O SSI Encoder Module
03	1738-OB8EM23	ArmorPoint 8 Point Output Module
02	1738-IB8M23	ArmorPoint 8 Point Input Module
01	1738-VHSC24M23	ArmorPoint I/O High Speed Counter Module
NO	CATALOG	DESCRIPTION

**Rockwell Automation**

1738-M23, ASSEMBLY, DRAWING

CONFIDENTIAL AND PROPRIETARY INFORMATION. THIS DOCUMENT CONTAINS CONFIDENTIAL AND PROPRIETARY INFORMATION OF ROCKWELL AUTOMATION, INC. AND MAY NOT BE USED, COPIED OR DISCLOSED TO OTHERS, EXCEPT WITH THE AUTHORIZED WRITTEN PERMISSION OF ROCKWELL AUTOMATION, INC.

Sheet 1 Of 1

Size	Ver
B	00
10000352200	

Drawn by: YSUPRIA

Date: MAR-31-2014