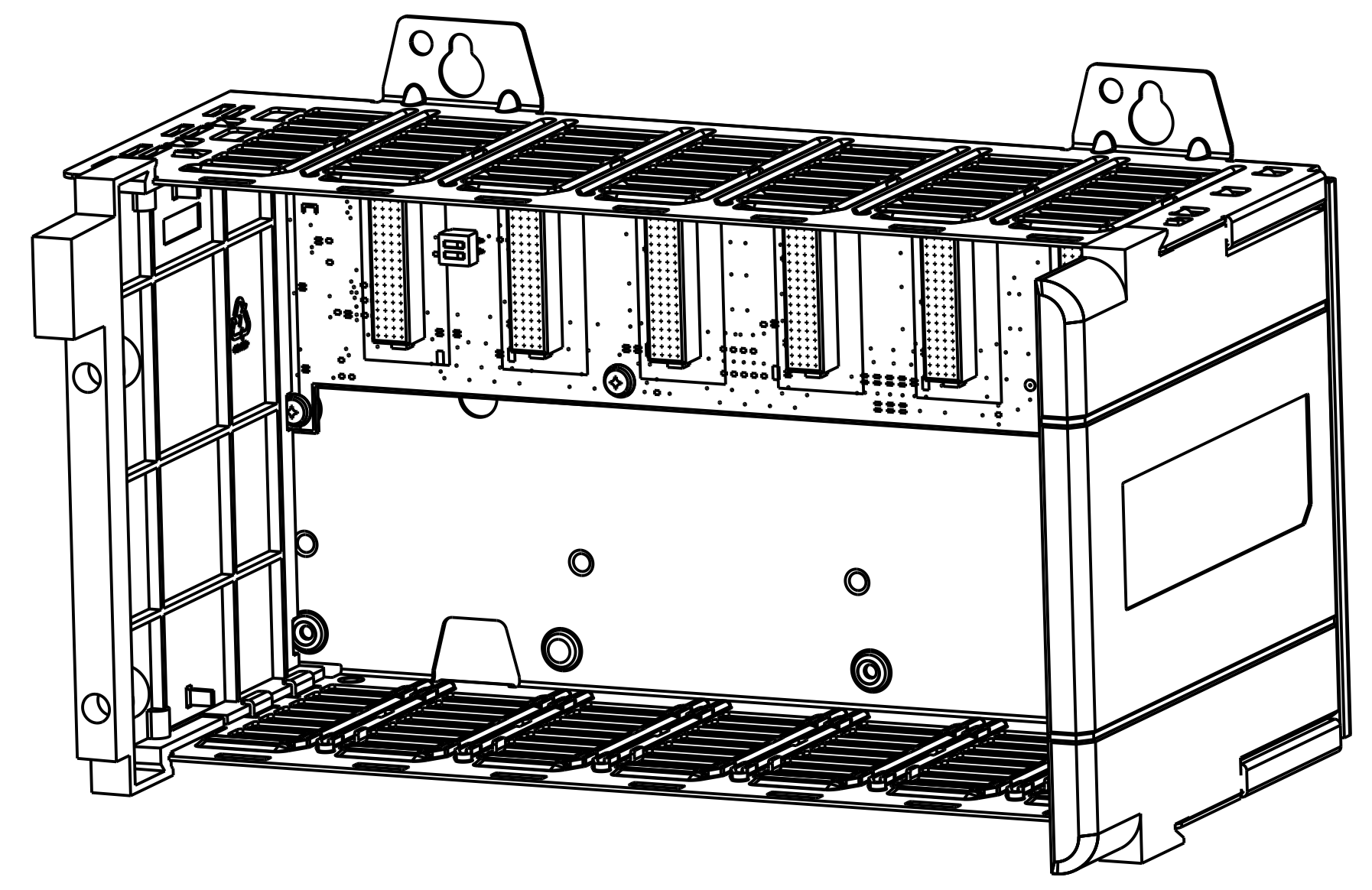
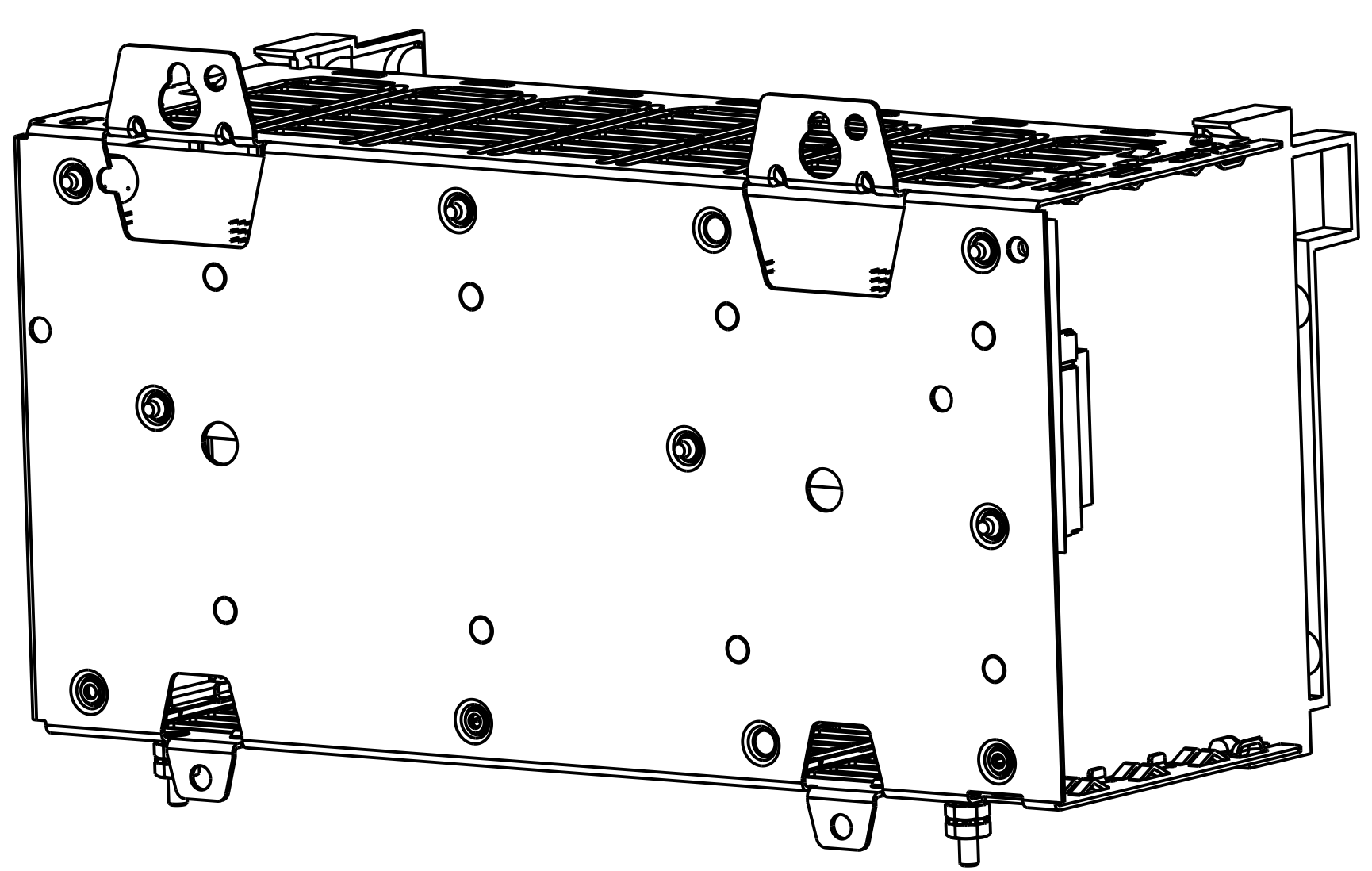


1 2 3 4 5 6 7 8

A  
B  
C  
D  
E  
F  
G  
H

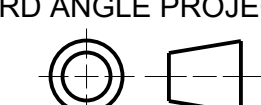
A  
B  
C  
D  
E  
F  
G  
H



ALL UNDIMENSIONED GEOMETRIES ARE CONTROLLED BY THE CAD MODEL. IN CASE OF DIMENSION DISCREPANCY, CAD MODEL OVERRIDES.



CONFIDENTIAL AND PROPRIETARY INFORMATION. THIS DOCUMENT CONTAINS CONFIDENTIAL AND PROPRIETARY INFORMATION OF ROCKWELL AUTOMATION, INC. AND MAY NOT BE USED, COPIED OR DISCLOSED TO OTHERS, EXCEPT WITH THE AUTHORIZED WRITTEN PERMISSION OF ROCKWELL AUTOMATION, INC.

THIRD ANGLE PROJECTION  


DESCRIPTION  
**CAT 1756-A7 C CUSTOMER DRAWING**  
 CREATED BY:WBF      CHANGED BY:\*\*\*\*\*

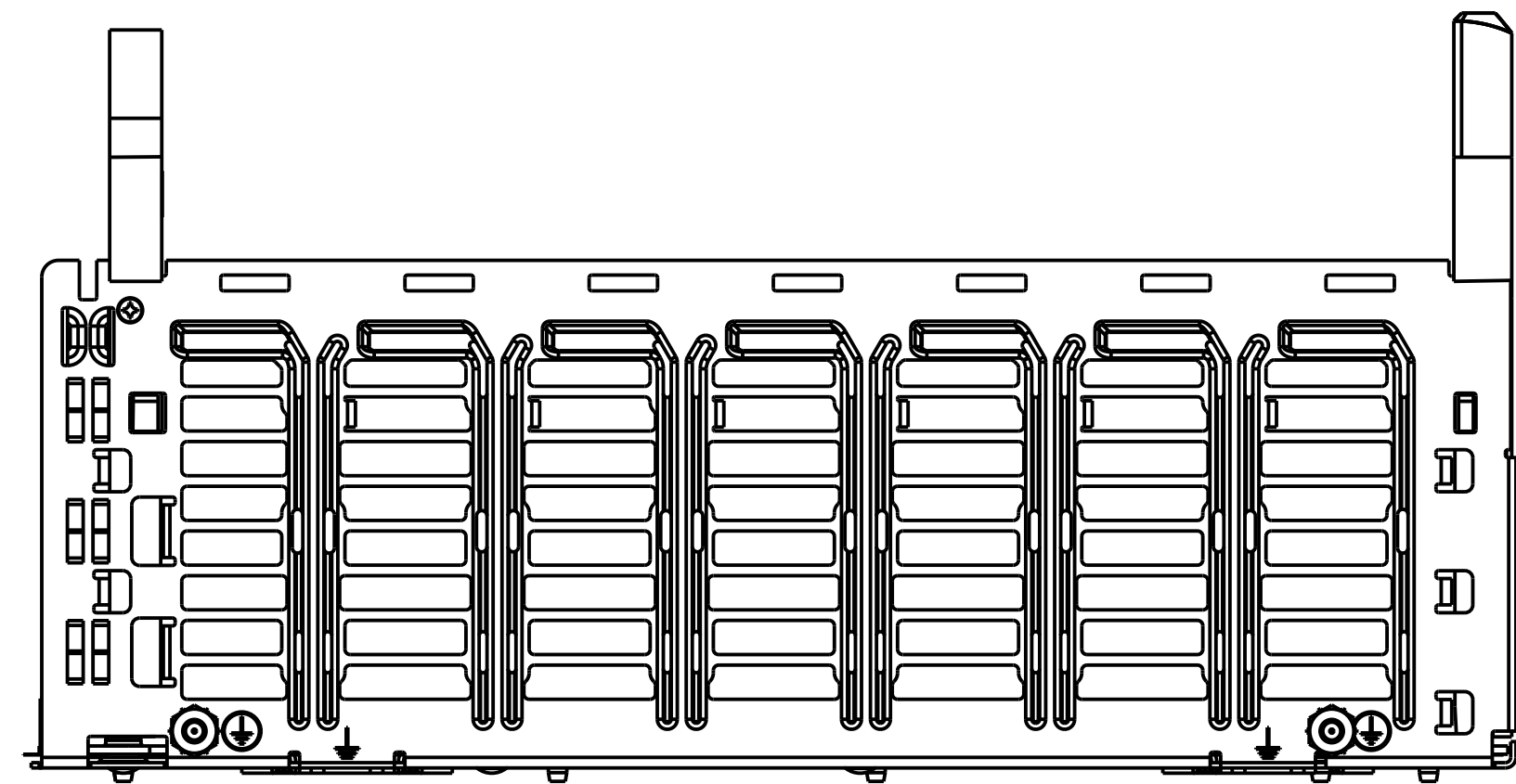
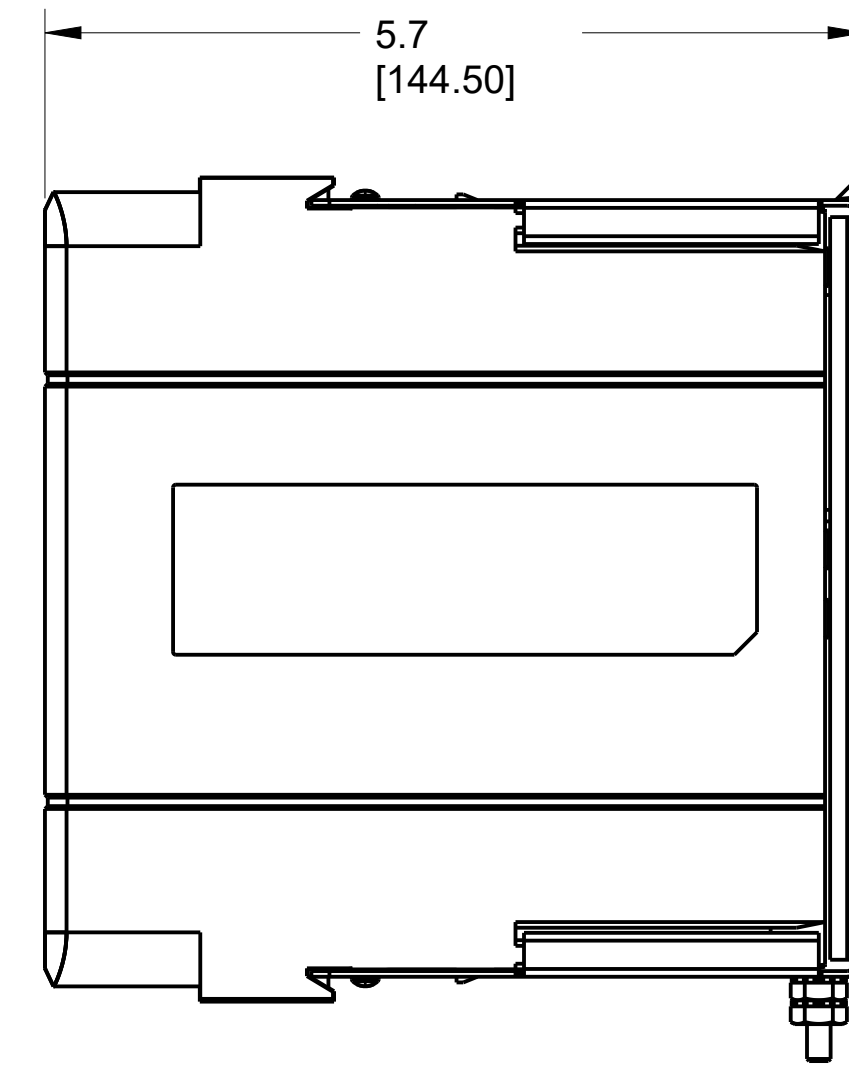
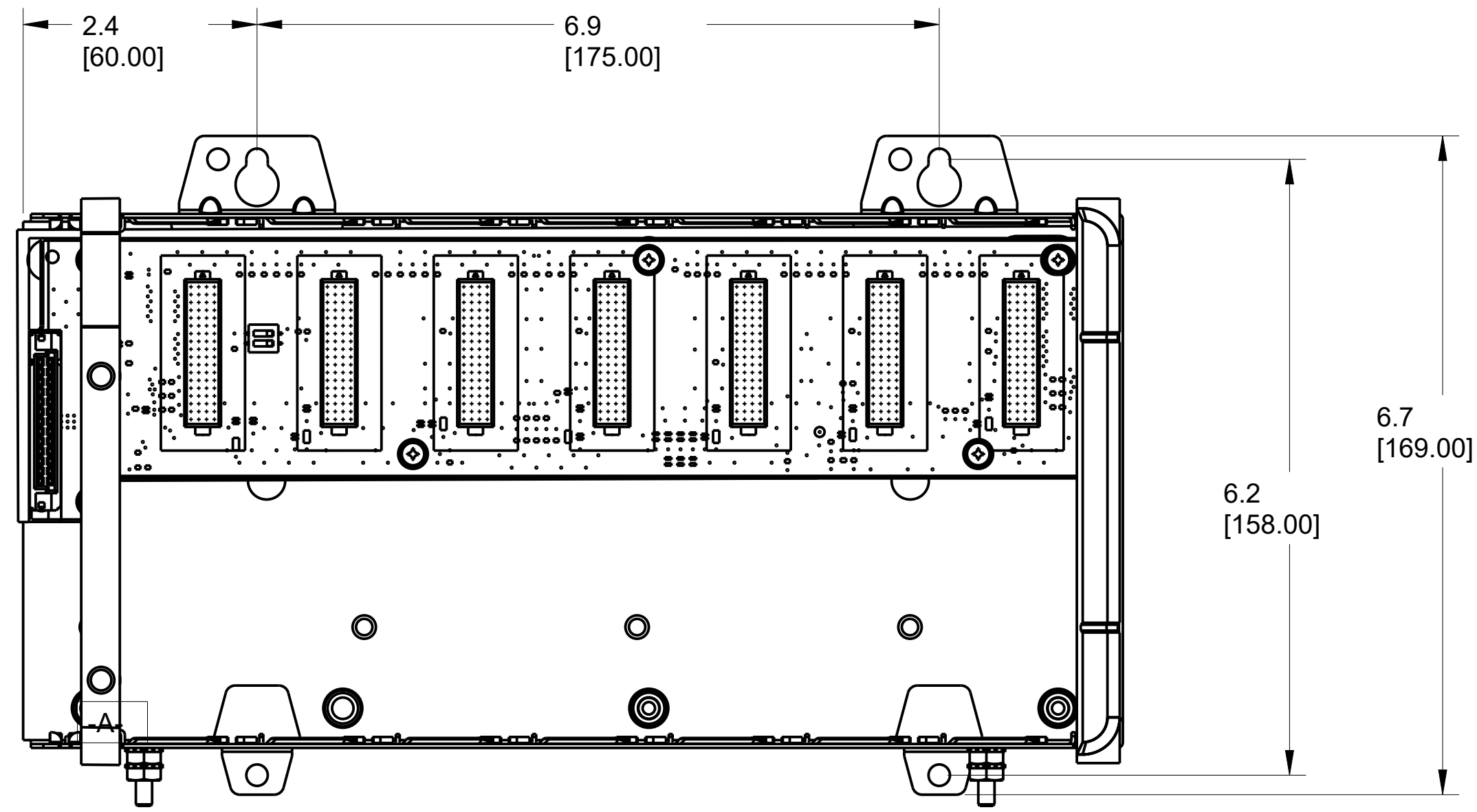
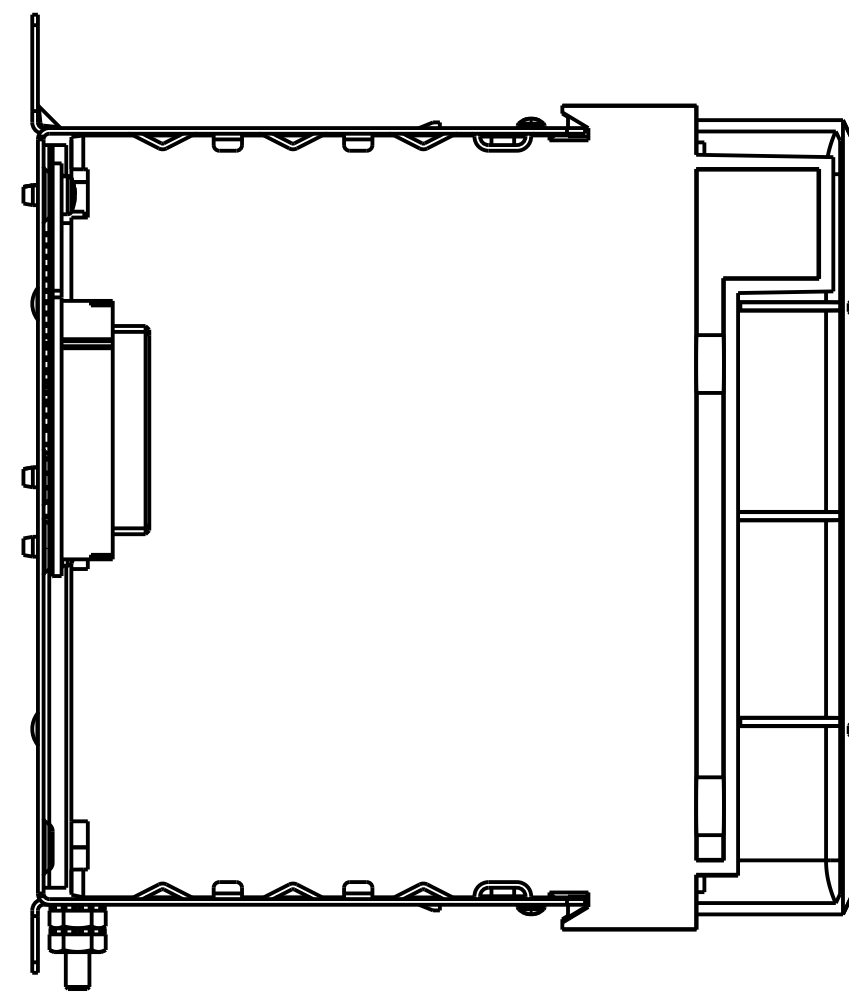
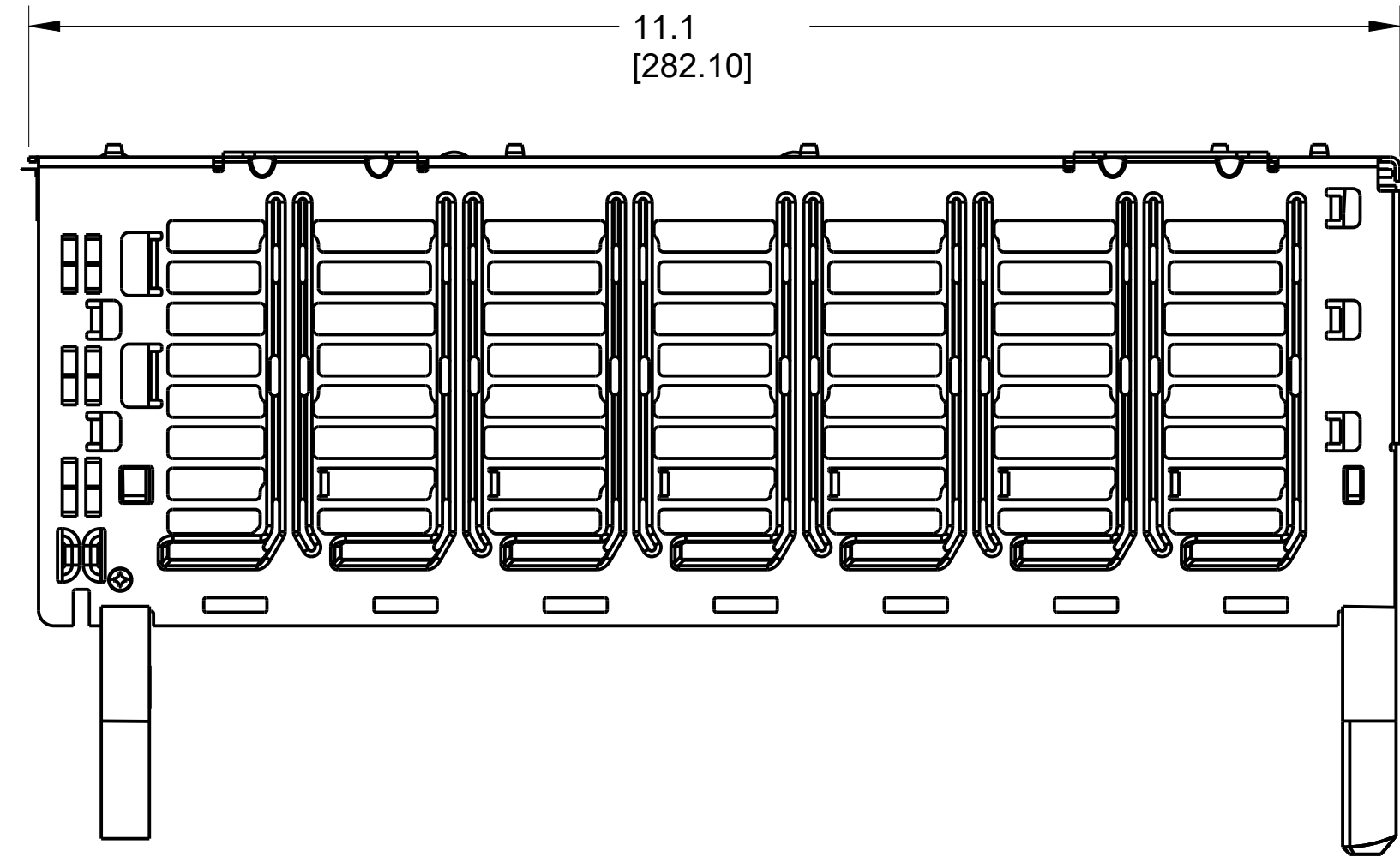
|                 |                  |
|-----------------|------------------|
| DATE:2018-08-23 | SHEET 1 OF 2     |
| SIZE: D         | DIR: 10004234977 |
| VER: 01         |                  |

1 2 3 4 5 6 7 8

1 2 3 4 5 6 7 8

A  
B  
C  
D  
E  
F  
G  
H

A  
B  
C  
D  
E  
F  
G  
H



1 2 3 4 5 6 7 8

|  |                                |   |                       |
|--|--------------------------------|---|-----------------------|
|  |                                | <small>CONFIDENTIAL AND PROPRIETARY INFORMATION<br/>THIS DOCUMENT CONTAINS CONFIDENTIAL AND PROPRIETARY<br/>INFORMATION OF ROCKWELL AUTOMATION, INC. AND MAY<br/>NOT BE USED, COPIED OR DISCLOSED TO OTHERS, EXCEPT<br/>WITH THE AUTHORIZED WRITTEN PERMISSION OF ROCKWELL<br/>AUTOMATION, INC.</small> |                       |
|  |                                | DATE: 2018-08-23  | SHEET 2 OF 2          |
| <small>DESCRIPTION</small><br>CAT 1756-A7 C CUSTOMER DRAWING | <small>SIZE</small> D          | <small>DIR</small> 10004234977  | <small>VER</small> 01 |
|  | <small>CREATED BY:</small> WBF | <small>CHANGED BY:</small> *****  |                       |