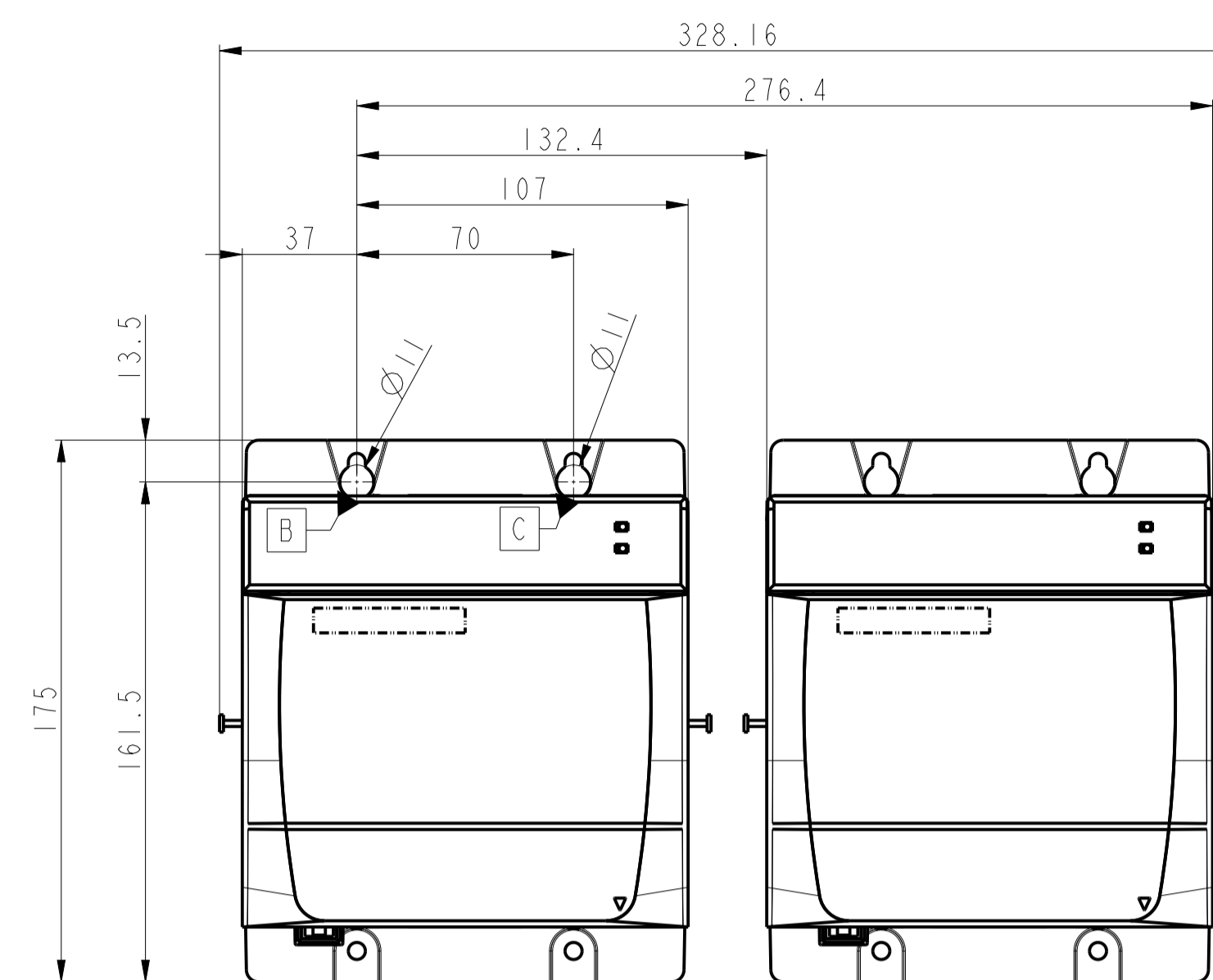
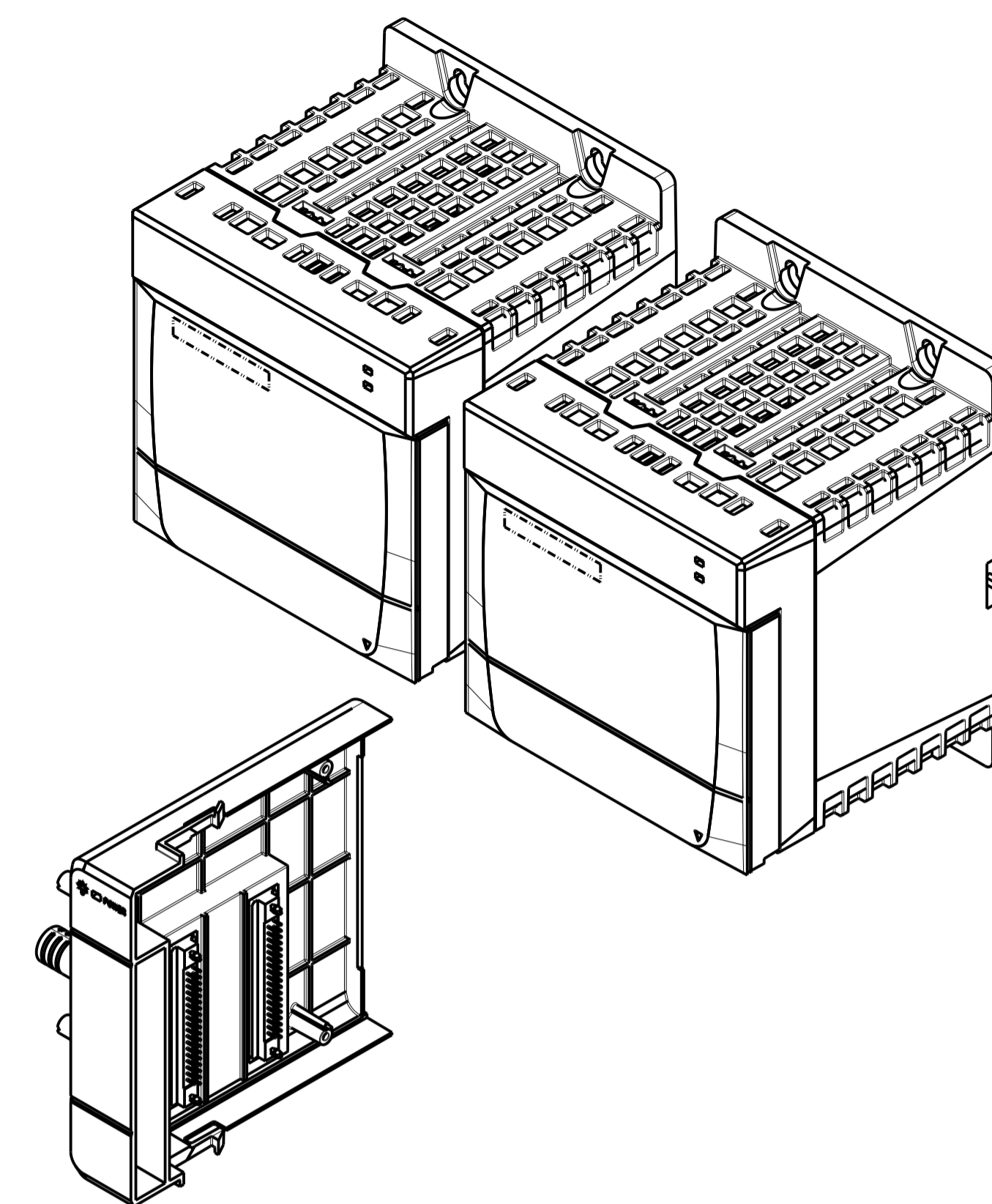
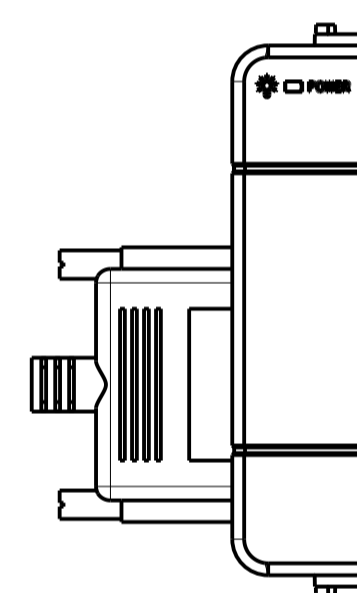


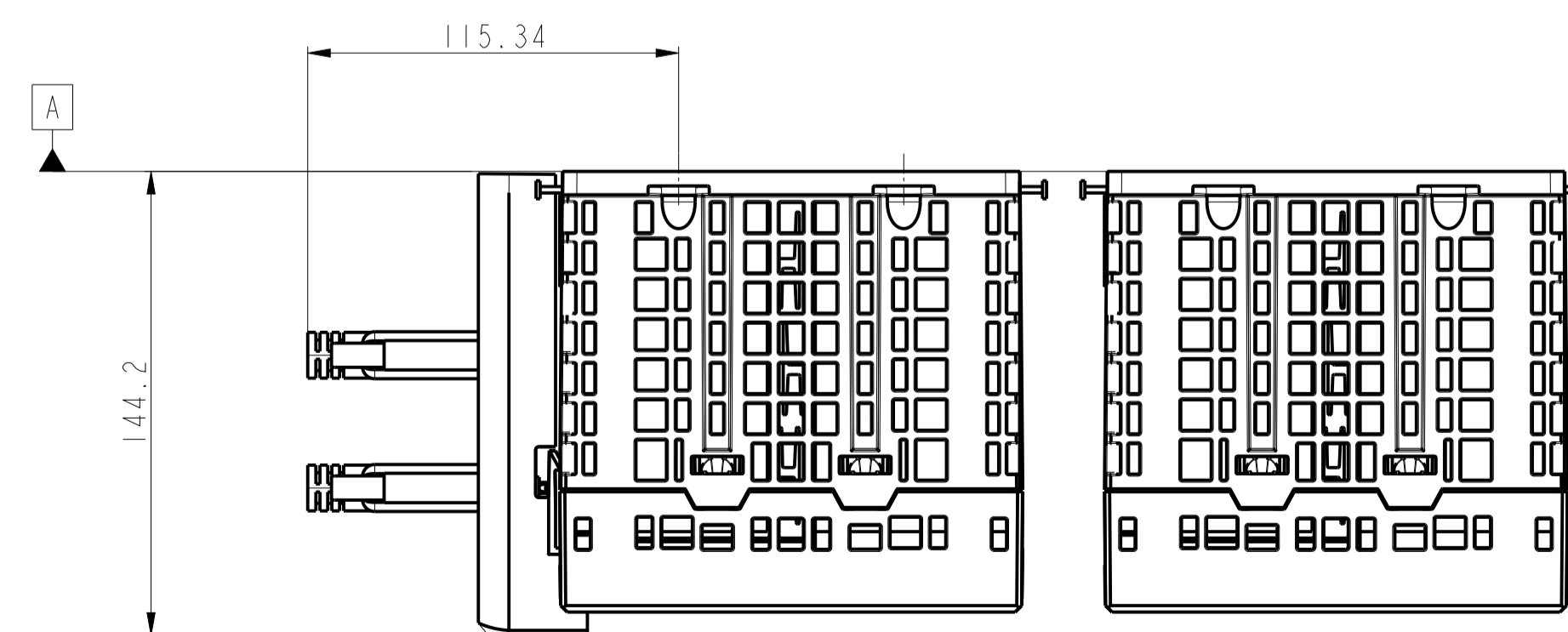
RIGHT VIEW



FRONT VIEW



ISOMETRIC VIEW

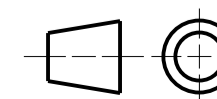


TOP VIEW

ALL DIMENSIONS ARE IN MM

ALL UNDIMENSIONED GEOMETRIES ARE CONTROLLED BY THE CAD MODEL. IN CASE OF DIMENSION DISCREPANCY, CAD MODEL OVERRIDES.

FIRST ANGLE PROJECTION



CONTROLLOGIX POWER SUPPLY BUNDLE

DESCRIPTION

CREATED BY: KWAGH2

CHANGED BY: KWAGH2

CONFIDENTIAL AND PROPRIETARY INFORMATION. THIS DOCUMENT CONTAINS CONFIDENTIAL AND PROPRIETARY INFORMATION OF ROCKWELL AUTOMATION, INC. AND MAY NOT BE USED, COPIED OR DISCLOSED TO OTHERS, EXCEPT WITH THE AUTHORIZED WRITTEN PERMISSION OF ROCKWELL AUTOMATION, INC.

DATE: 2022-12-01 SHEET 1 OF 1

SIZE: A1

1756-PBR2 A

VER: 00