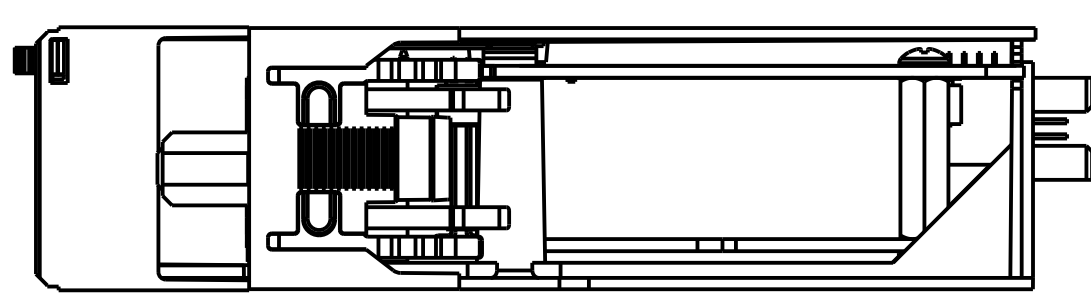
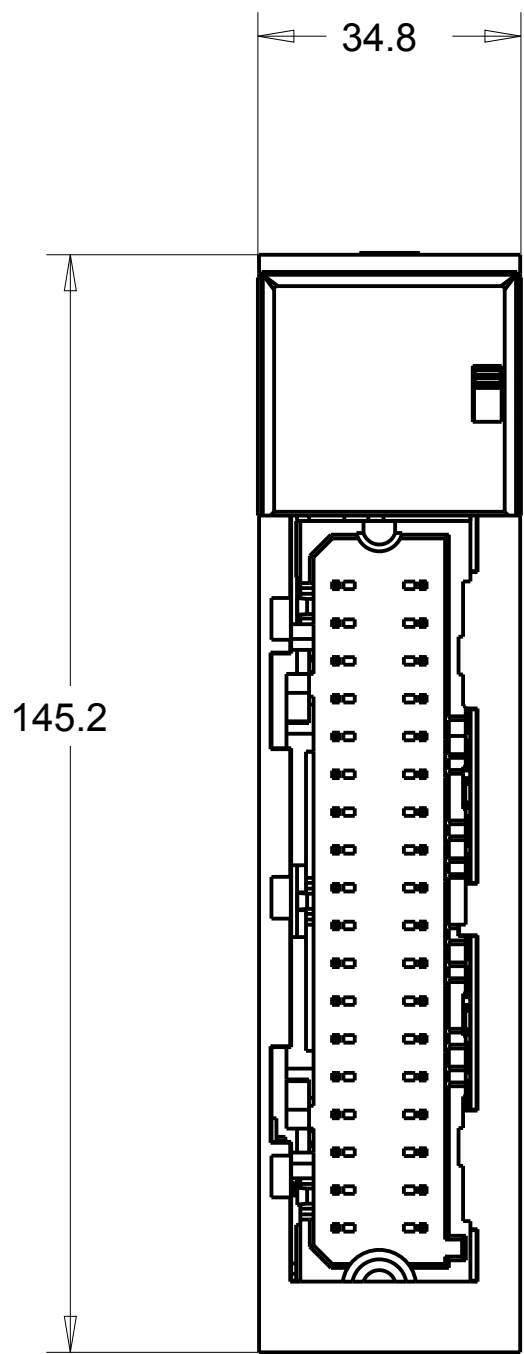
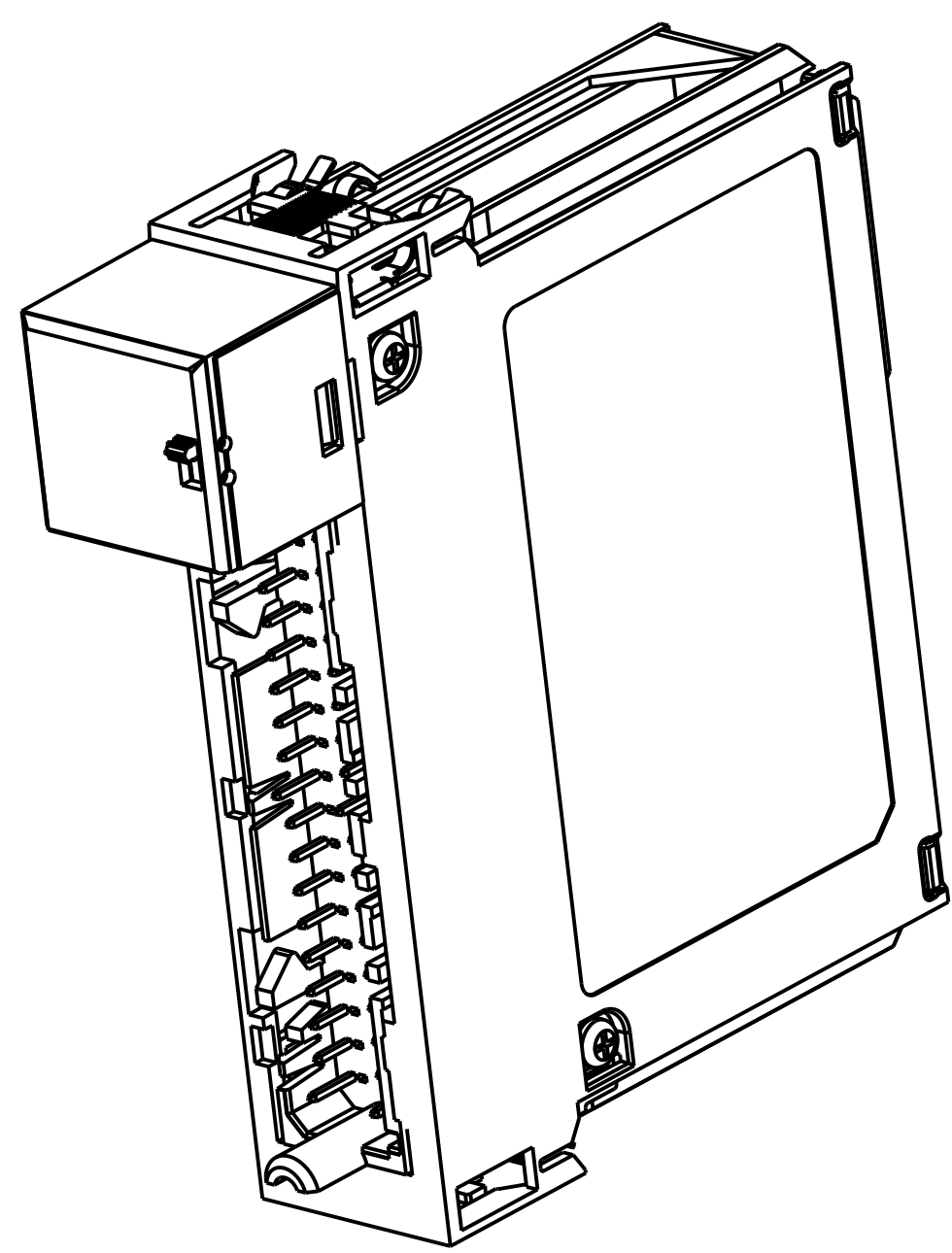
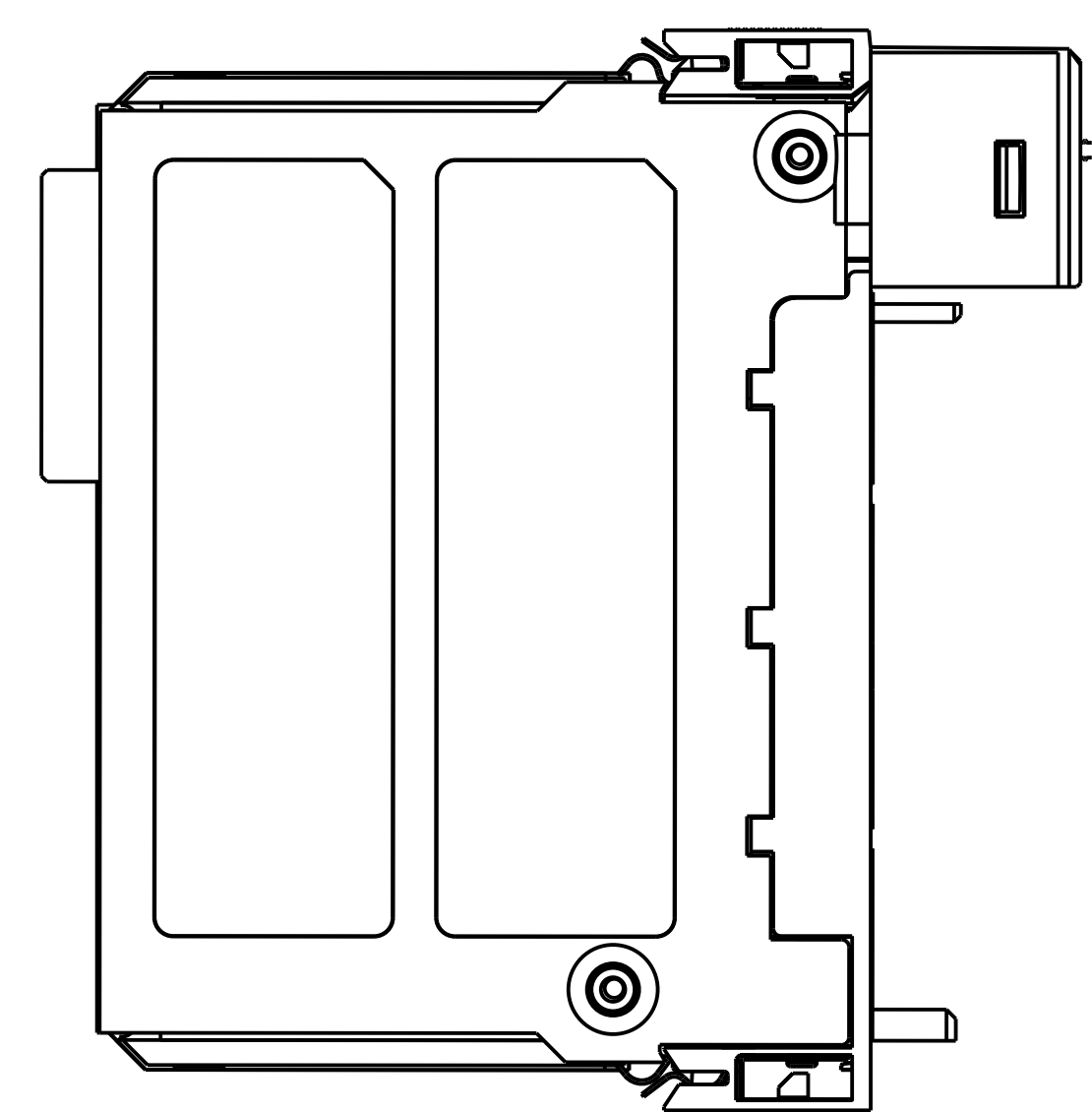
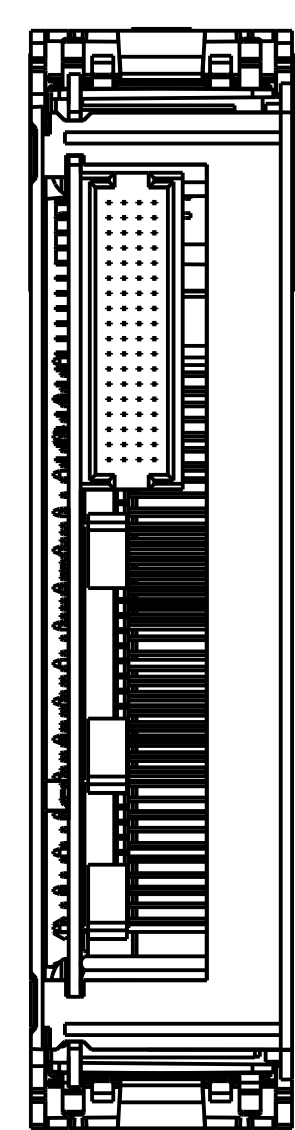
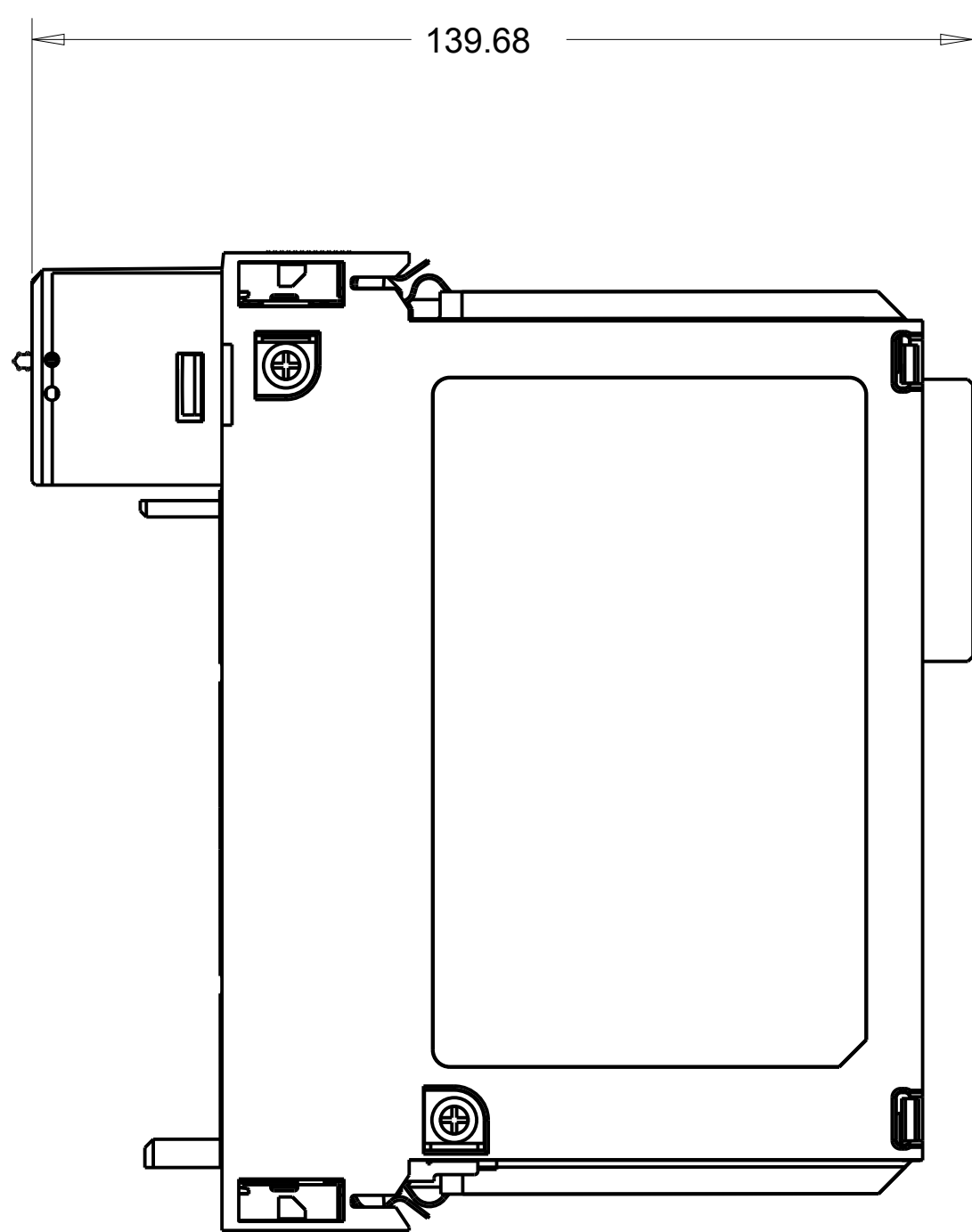
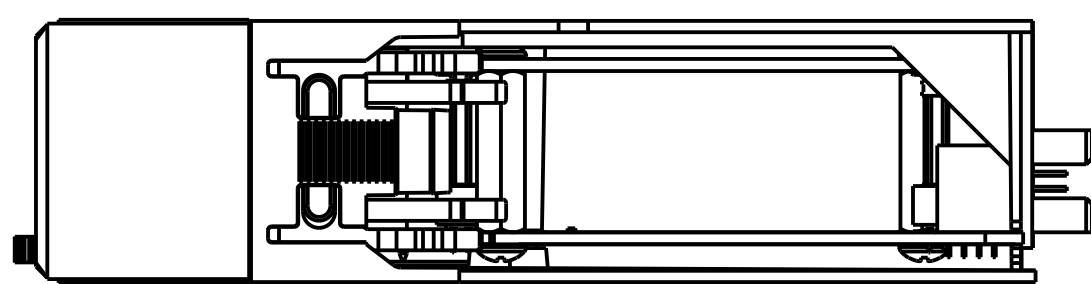


1 2 3 4 5 6 7 8

A
B
C
D
E
F
G
H



ALL UNDIMENSIONED GEOMETRIES ARE CONTROLLED BY THE CAD MODEL. IN CASE OF DIMENSION DISCREPANCY, CAD MODEL OVERRIDES.		Rockwell Automation		CONFIDENTIAL AND PROPRIETARY INFORMATION. THIS DOCUMENT CONTAINS CONFIDENTIAL AND PROPRIETARY INFORMATION OF ROCKWELL AUTOMATION, INC. AND MAY NOT BE USED, COPIED OR DISCLOSED TO OTHERS, EXCEPT WITH THE AUTHORIZED WRITTEN PERMISSION OF ROCKWELL AUTOMATION, INC.	
FIRST ANGLE PROJECTION 		DESCRIPTION CAT 1756-IBV16S CUSTOMER DRAWING		Sheet 1 Of 1	
		Drawn by: WBF		Date: 2018-06-05	
				Size D	DIR DRAWING DIR 10004051077
				Ver 00	