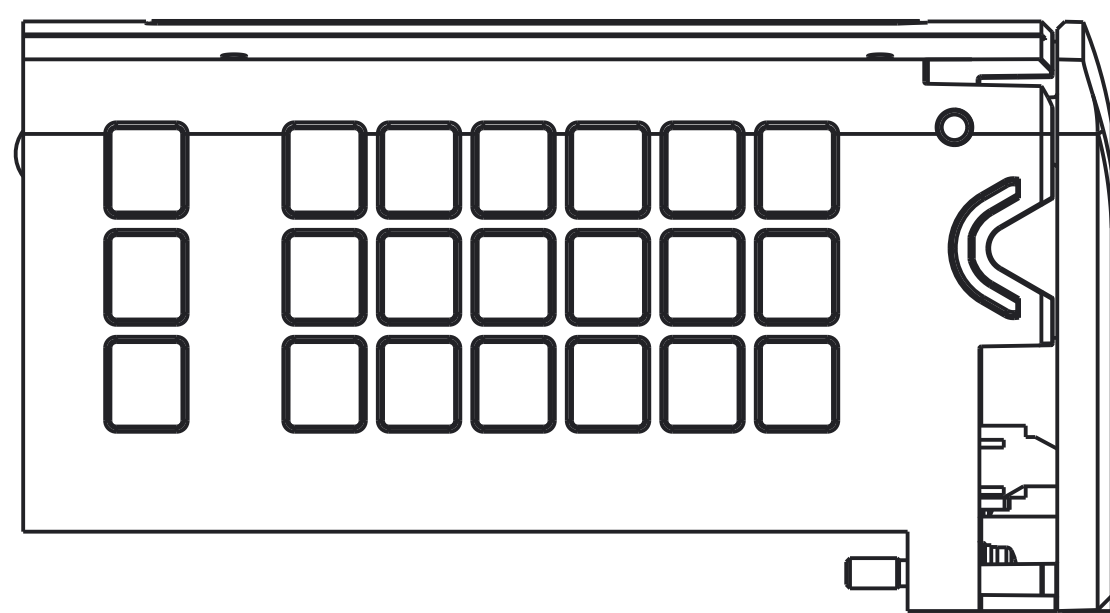
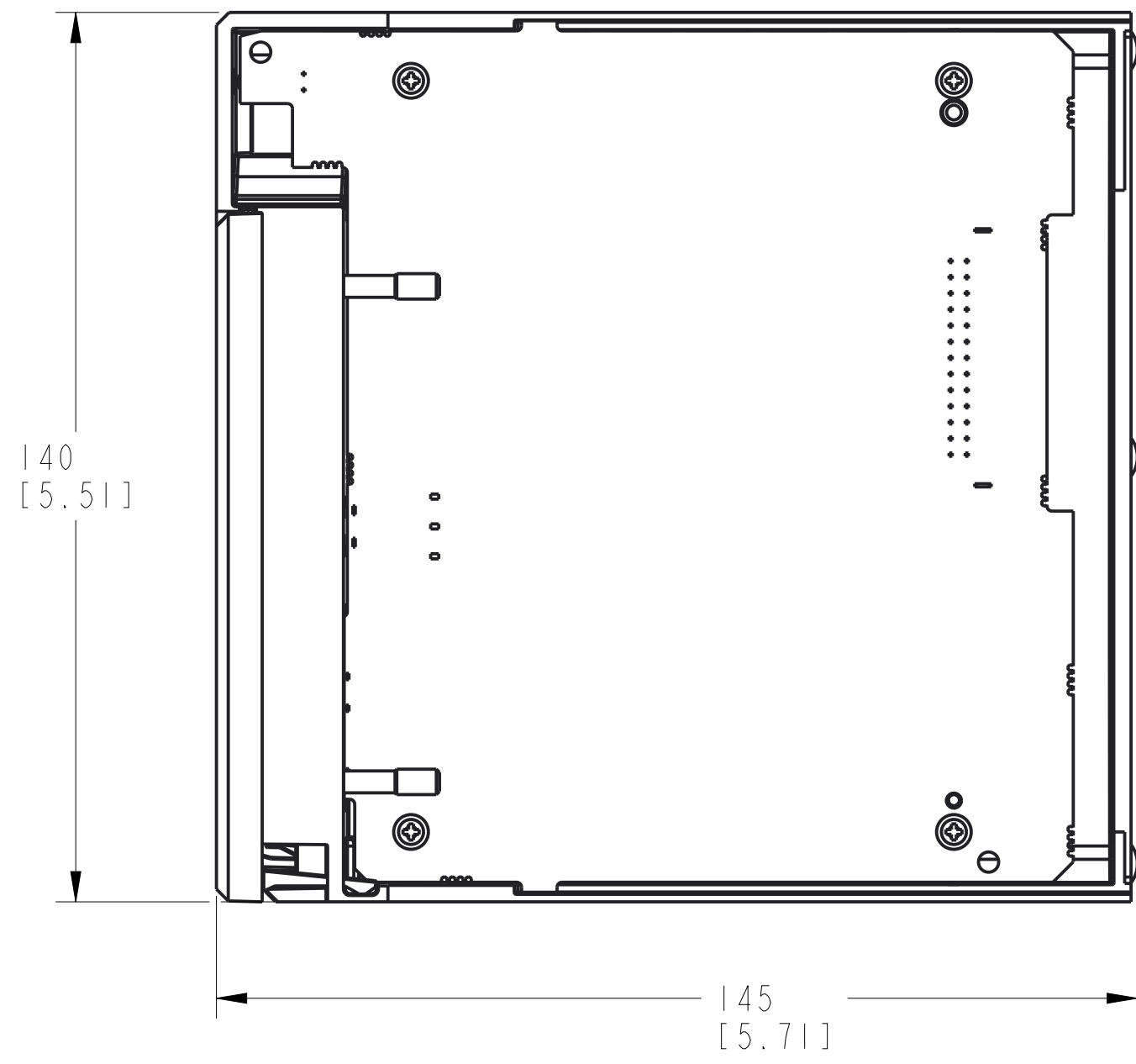
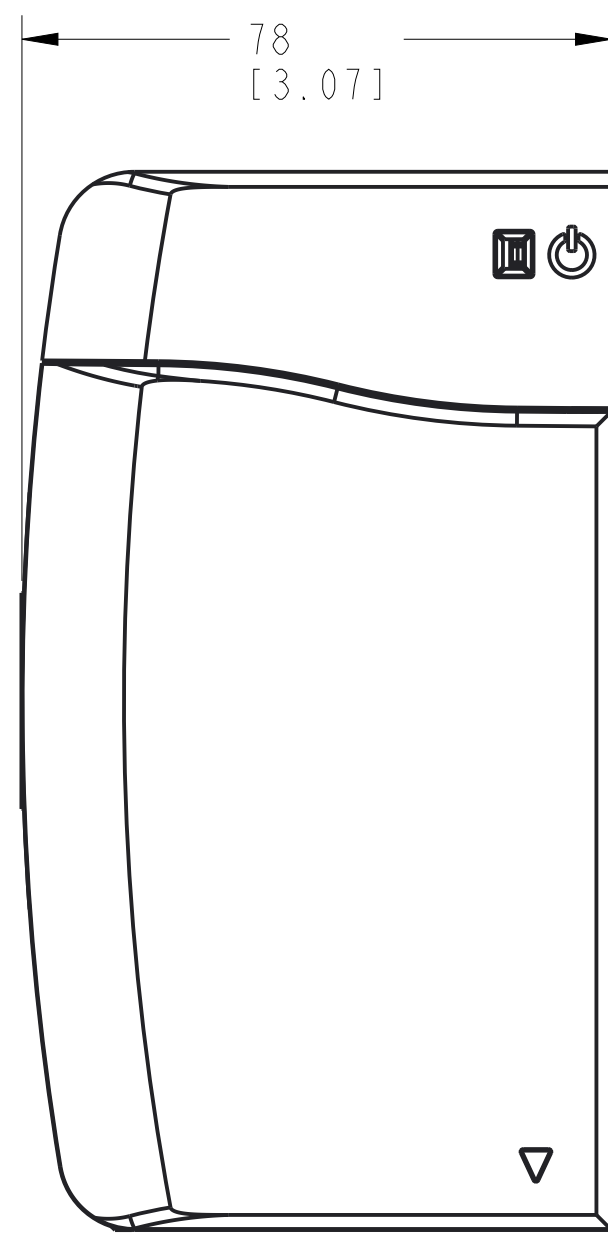
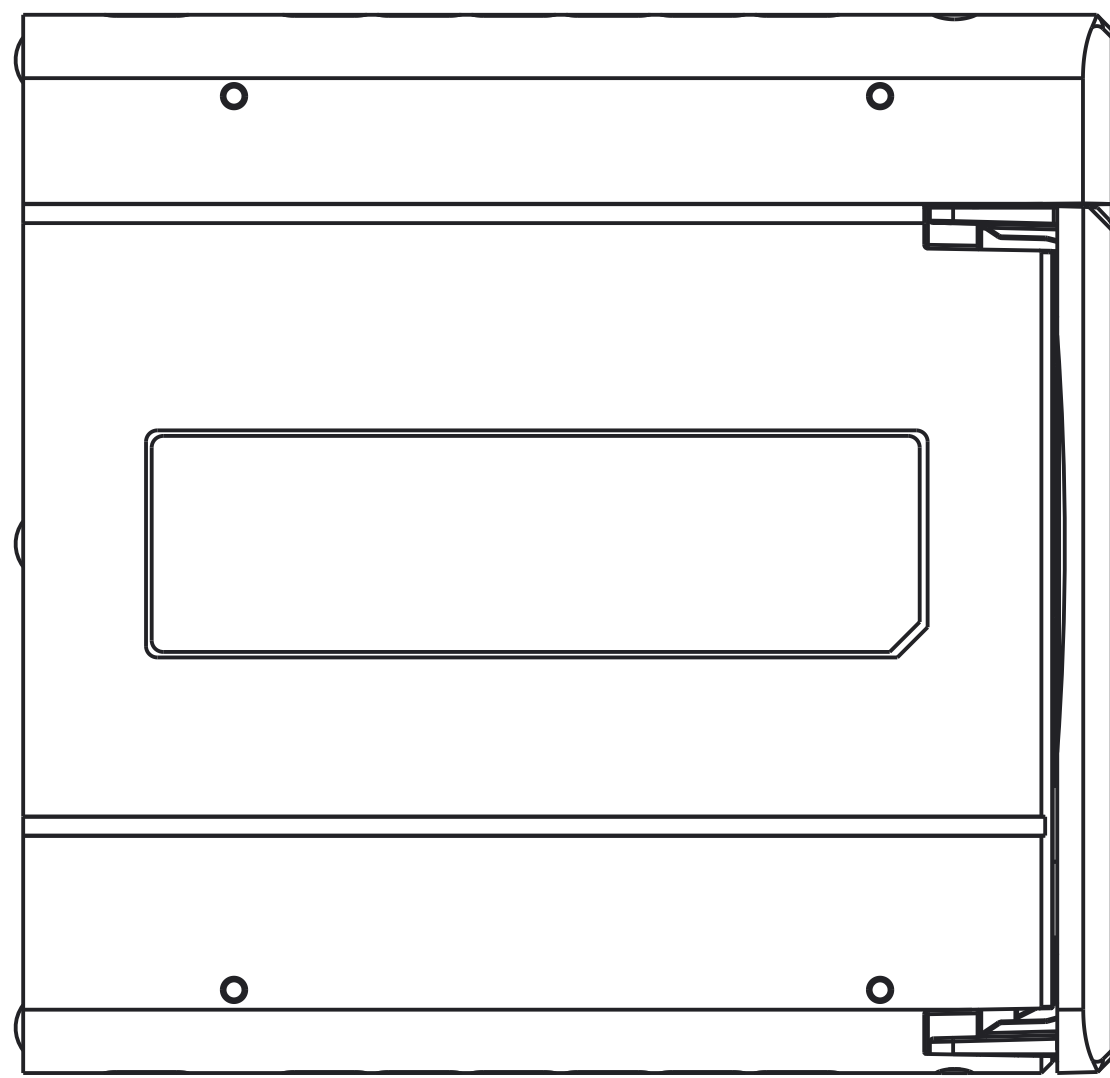
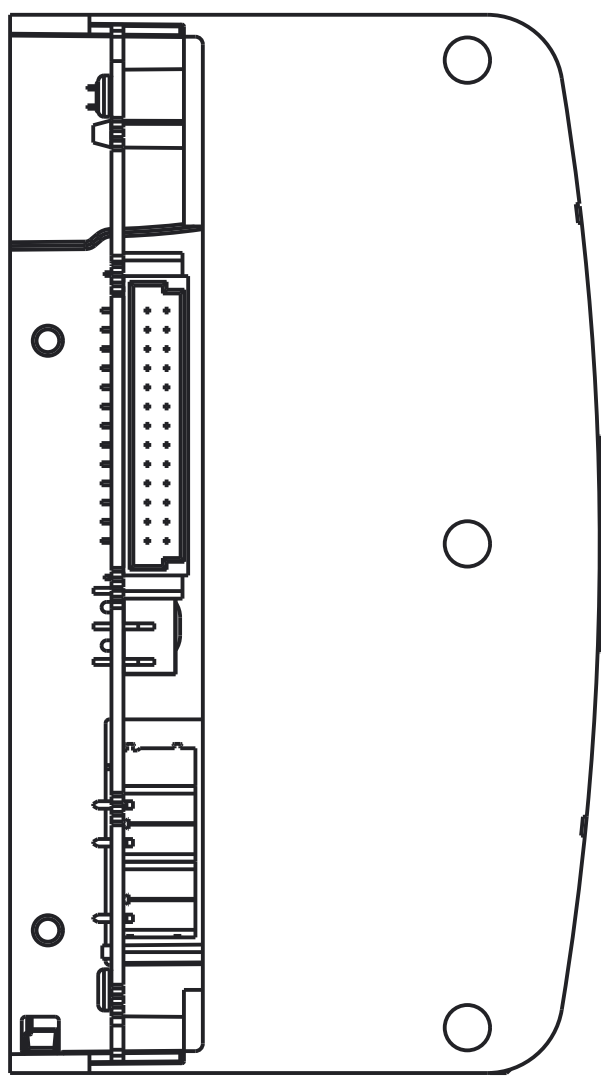
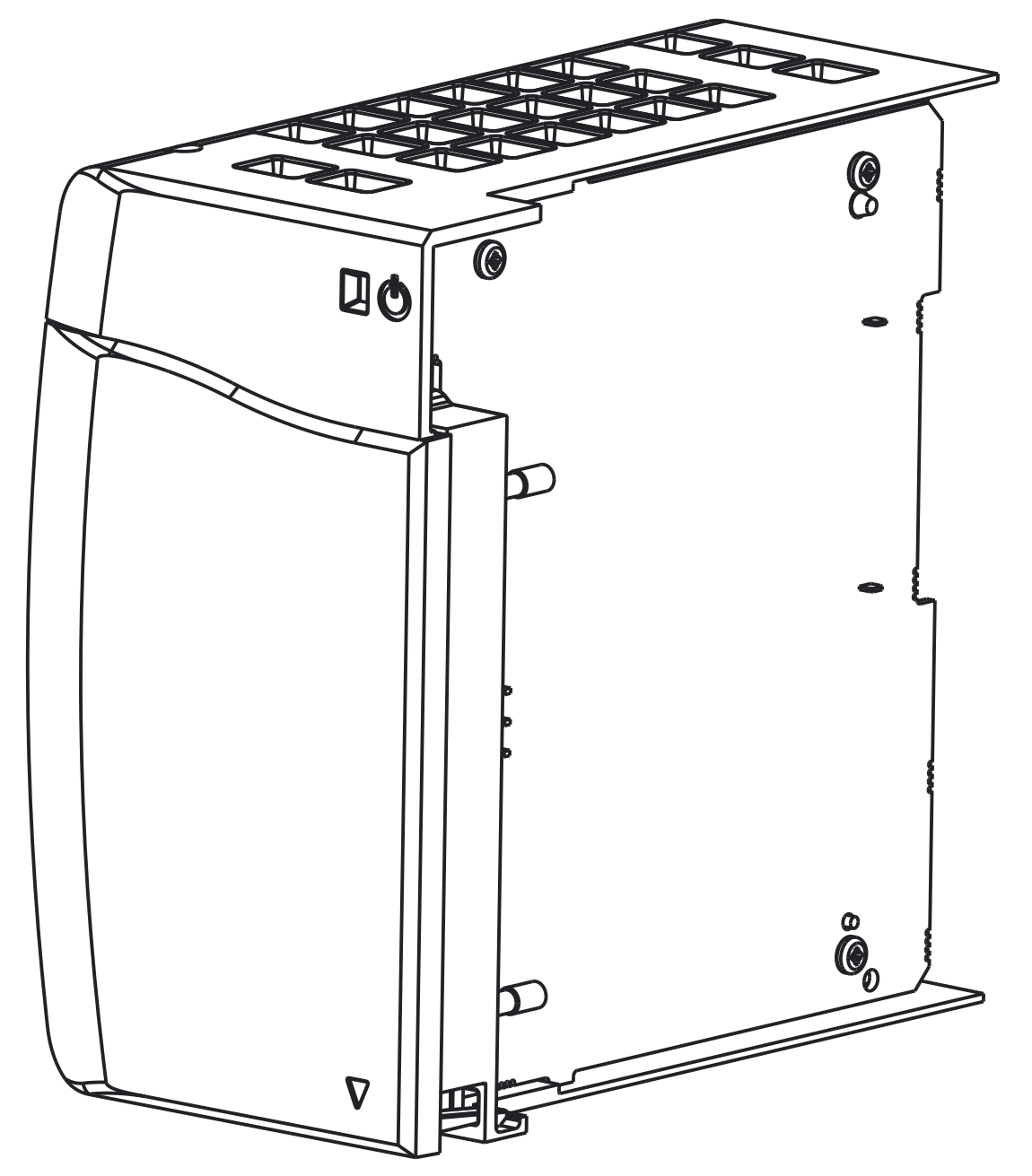
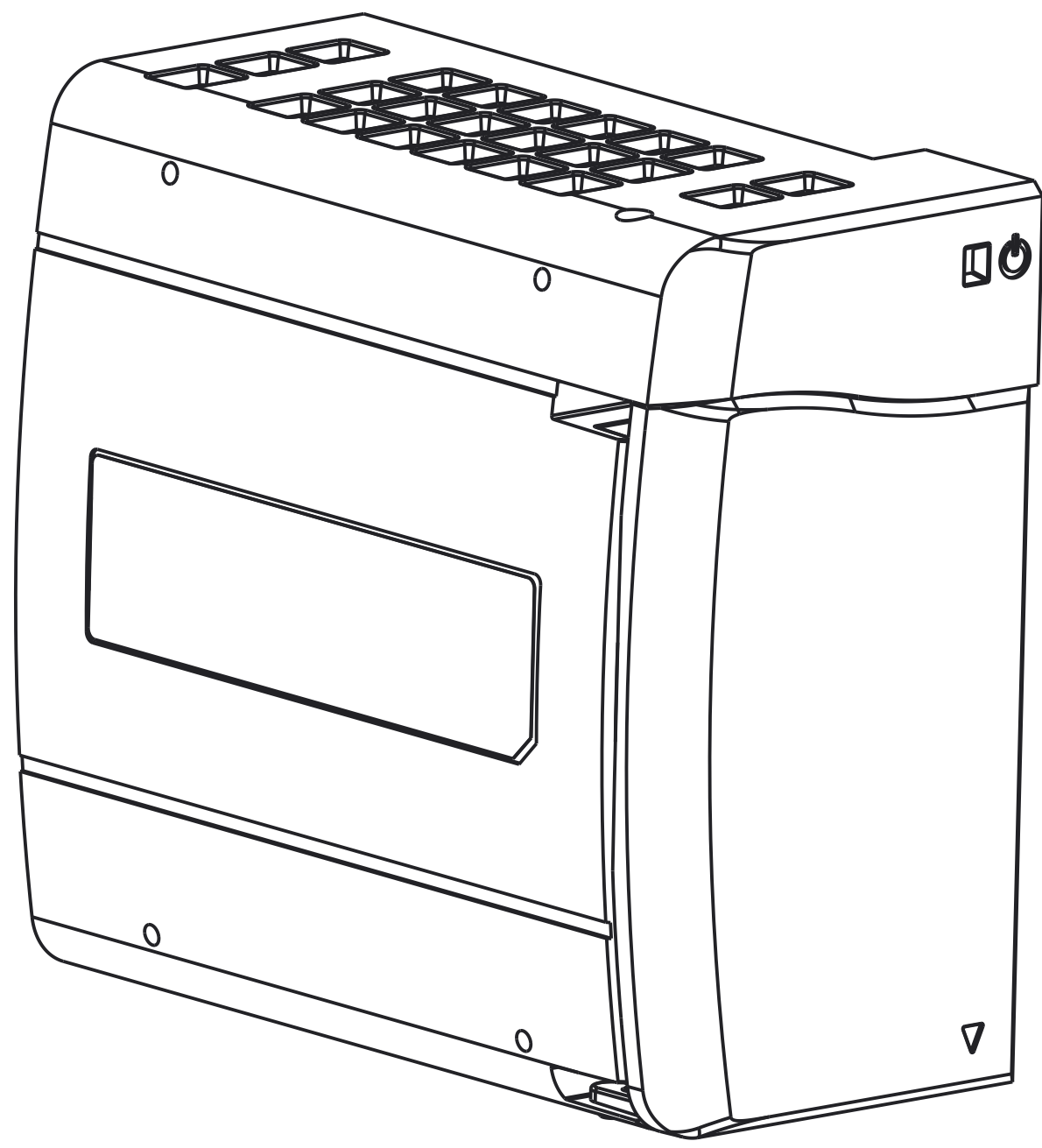
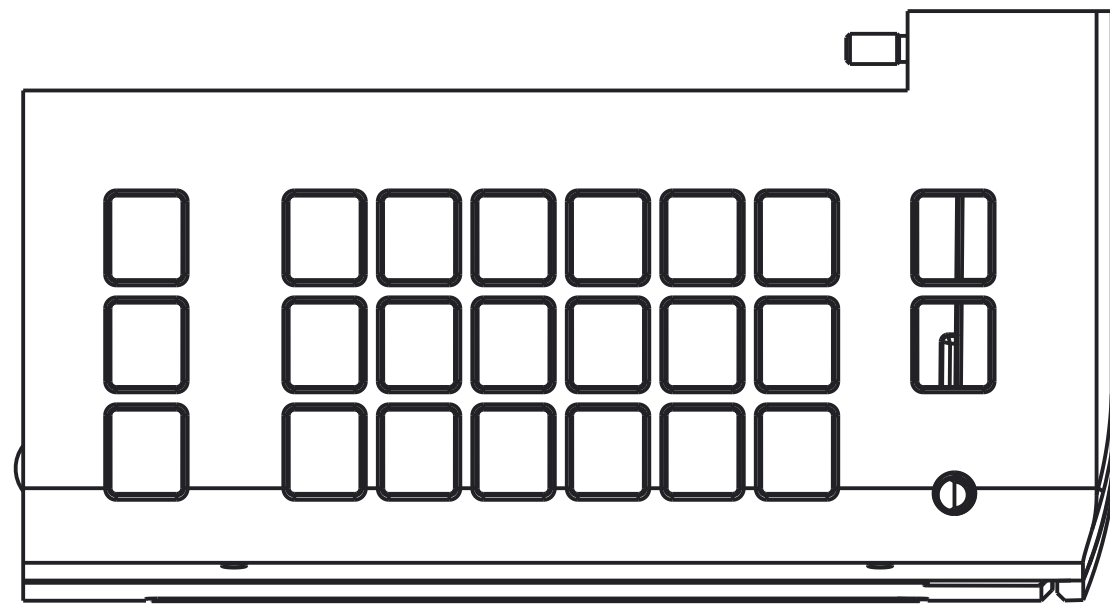


1 2 3 4 5 6 7 8

A
B
C
D
E
F
G
H



Rockwell Automation		CONFIDENTIAL AND PROPRIETARY INFORMATION. THIS DOCUMENT CONTAINS CONFIDENTIAL AND PROPRIETARY INFORMATION OF ROCKWELL AUTOMATION, INC. AND MAY NOT BE USED, COPIED OR DISCLOSED TO OTHERS, EXCEPT WITH THE AUTHORIZED WRITTEN PERMISSION OF ROCKWELL AUTOMATION, INC.	
		Sheet 1 Of 1	
CAT, 1756-PA/B30XT, CUSTOMER DRW		Size	Ver
Drawn by: RUDDY		Date: MAY-03-2016	10002316140 00