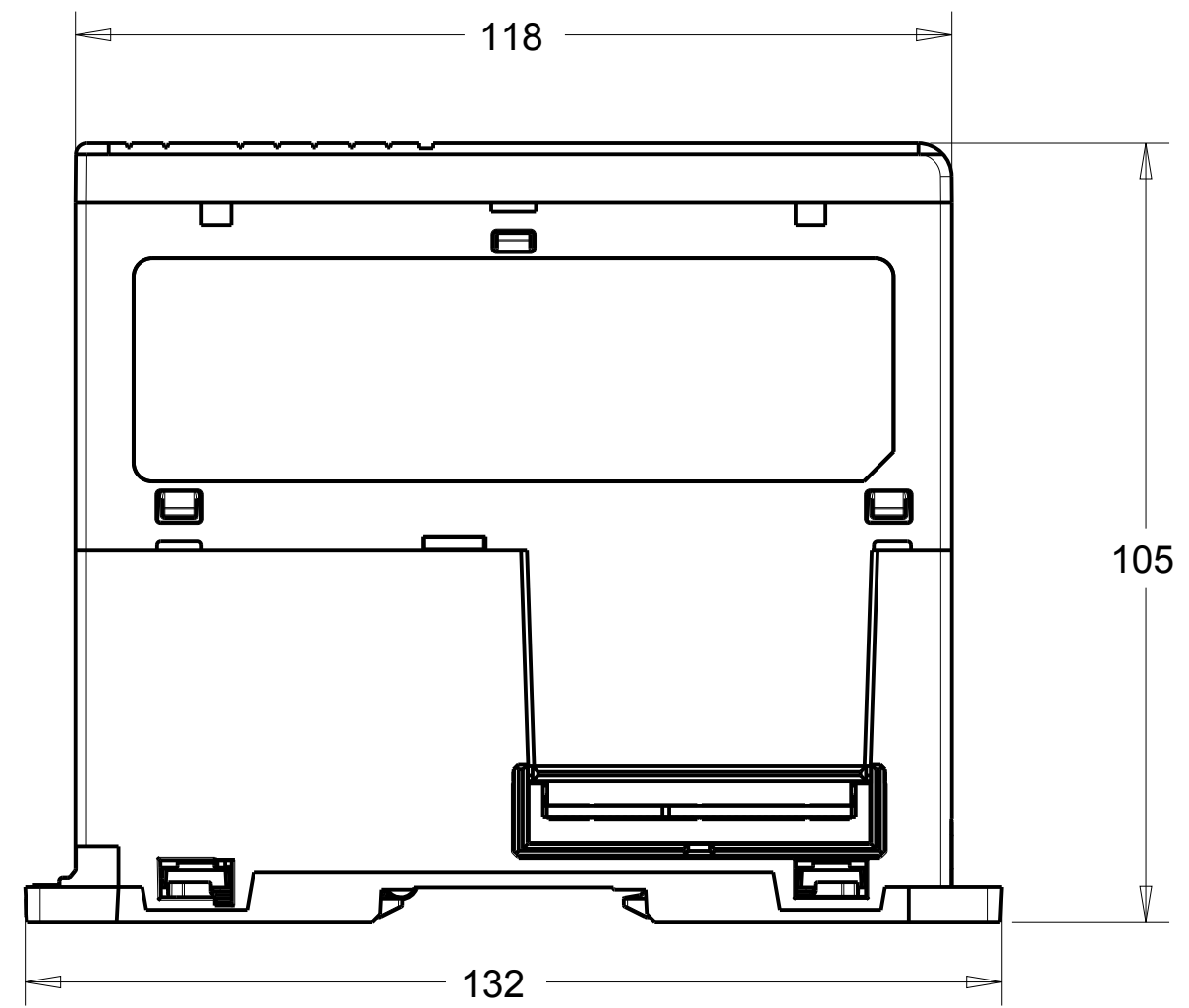
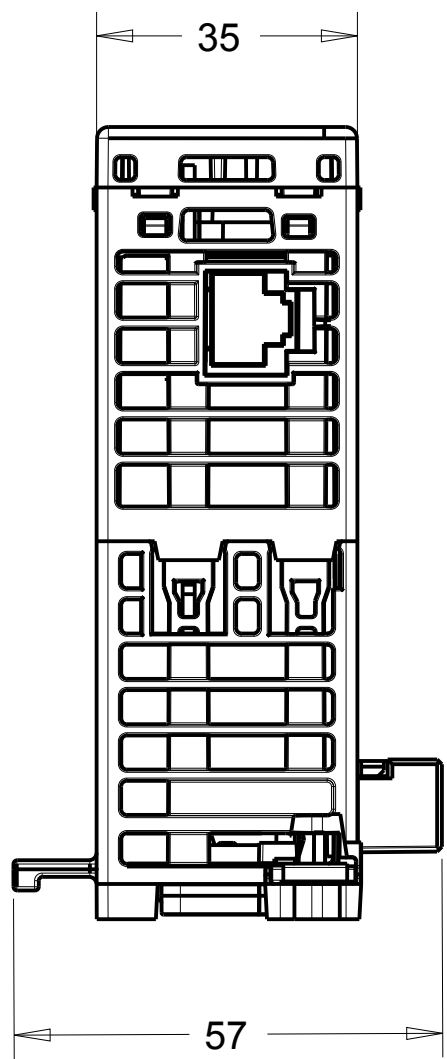
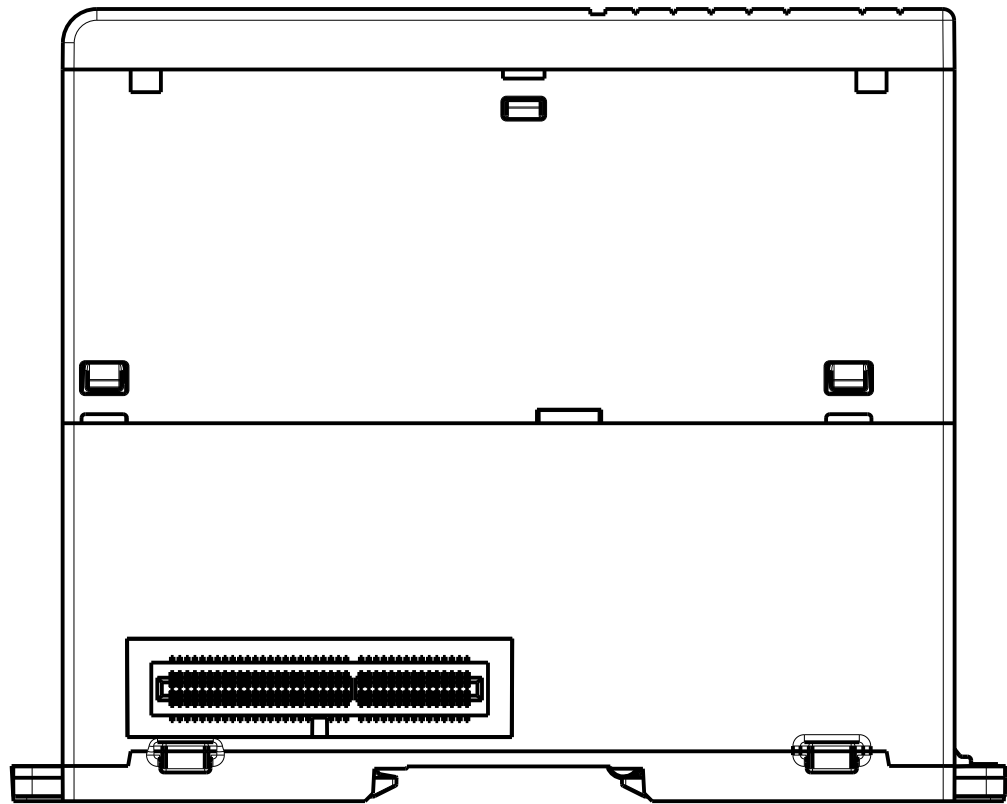
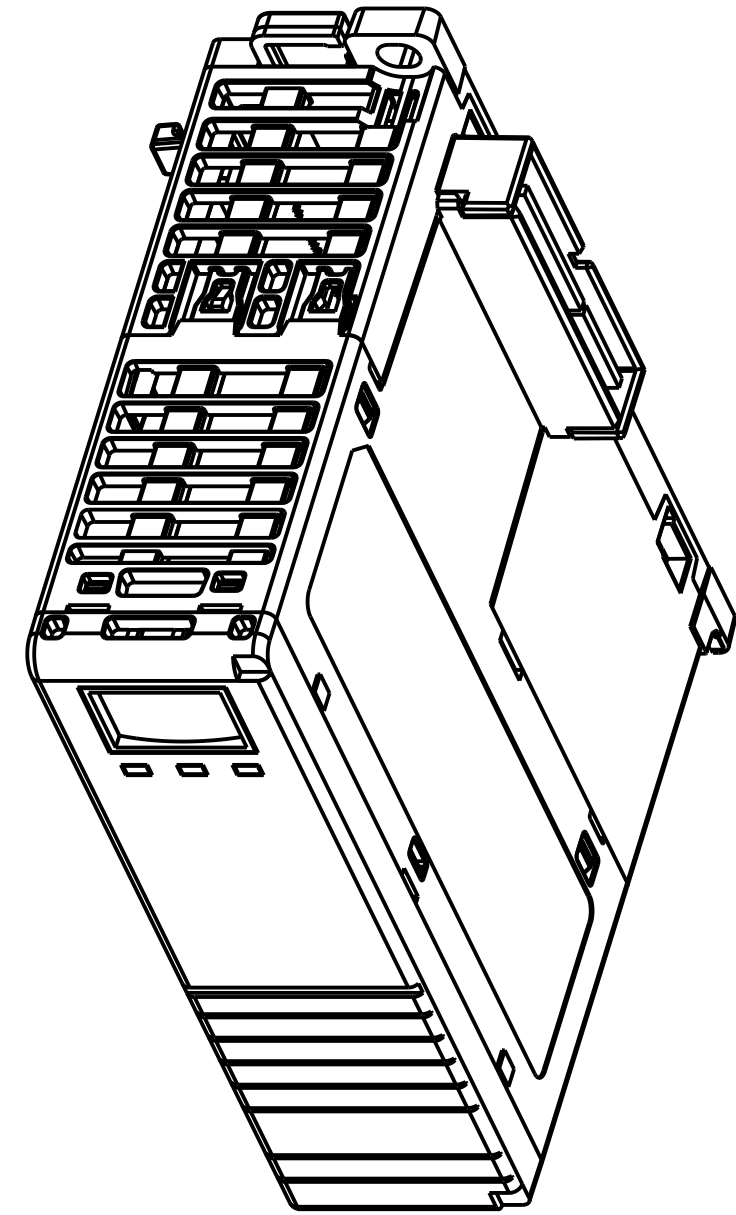
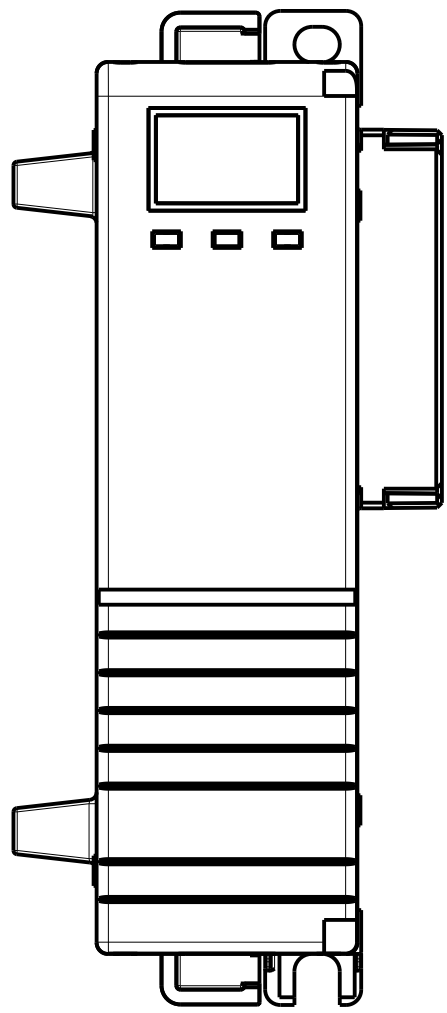


1 2 3 4 5 6 7 8

A
B
C
D
E
F
G
H



SCALE 1.000

Rockwell Automation		CONFIDENTIAL AND PROPRIETARY INFORMATION. THIS DOCUMENT CONTAINS CONFIDENTIAL AND PROPRIETARY INFORMATION OF ROCKWELL AUTOMATION, INC. AND MAY NOT BE USED, COPIED OR DISCLOSED TO OTHERS, EXCEPT WITH THE AUTHORIZED WRITTEN PERMISSION OF ROCKWELL AUTOMATION, INC.			
		SHEET 1 OF 1			
DESCRIPTION	1768-ENBT 2D		SIZE	DIR	VER
	DRAWN BY: YSUPRIA	DATE: 07-10-2019	C	00	00