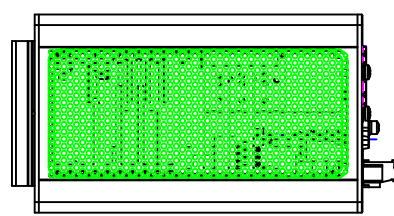
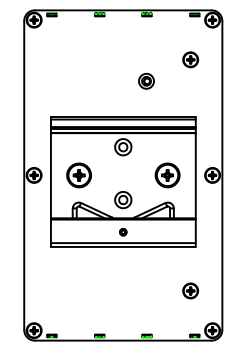
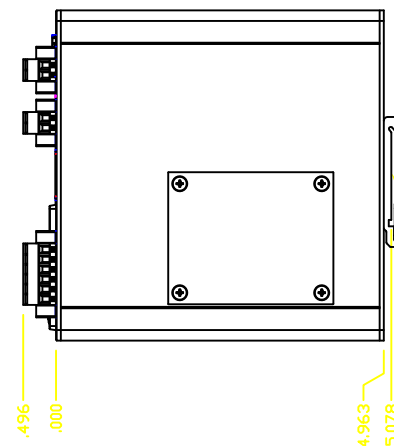
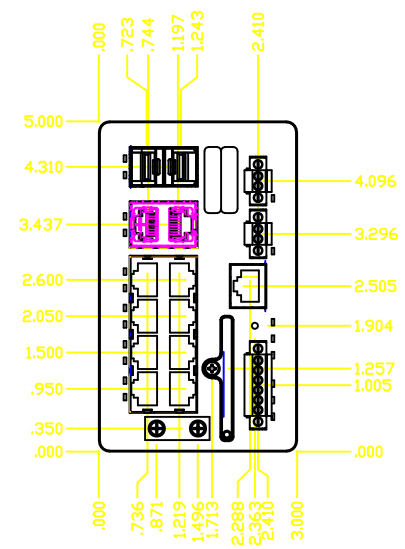
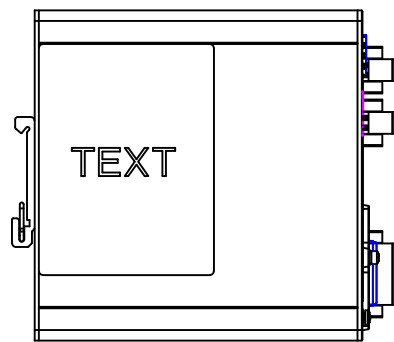
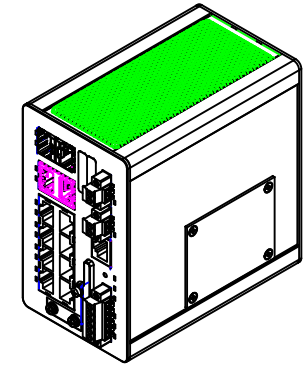
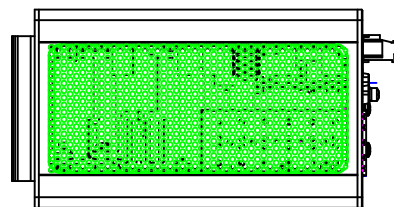


8 7 6 5 4 3 2 1

--- REVISION ---			
REV	DESCRIPTION	ECO	APPROVE MECH   MFG



		PN-688725	
ITEM NO.	QTY	PART NUMBER	DESCRIPTION
UNLESS OTHERWISE SPECIFIED DIMENSIONS ARE IN INCHES TOLERANCES: FRACTIONS DECIMALS MILLIMETERS		CONFIDENTIAL AND PROPRIETARY INFORMATION THIS DOCUMENT CONTAINS CONFIDENTIAL AND PROPRIETARY INFORMATION OF ROCKWELL AUTOMATION. USE AND MAY NOT BE LOANED, COPIED OR DISCLOSED TO OTHERS EXCEPT WITH THE AUTHORIZED WRITTEN PERMISSION OF ROCKWELL AUTOMATION, INC. <b>Rockwell Automation</b>	
MATERIAL:		THIRD ANGLE PROJECTION	STRATIX 5200 SWITCH, 8 COPPER 100/1000 PORTS, 2 COMBO 100/1000 PORTS, FULL FW, DLR, PRP, NAT
FINISH:			APPROVAL: _____ DATE: _____ TYPE: DJ DWG NO. 1783-CMS10DN 100% NOT SCALE DRAWING