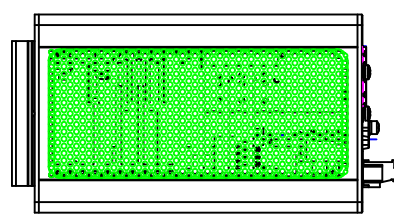
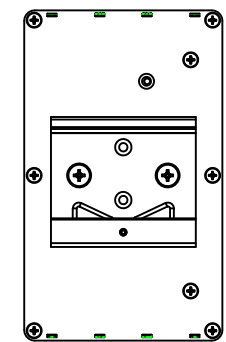
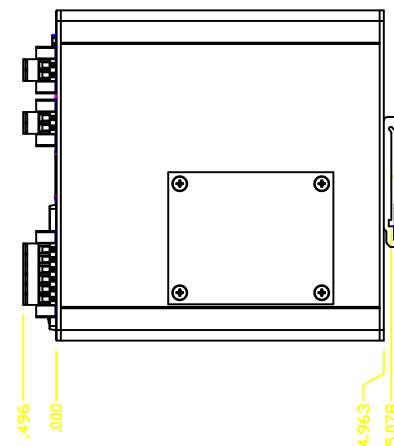
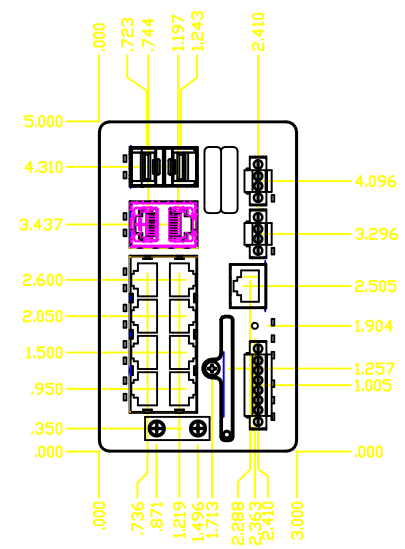
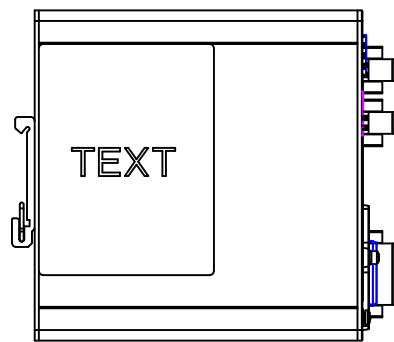
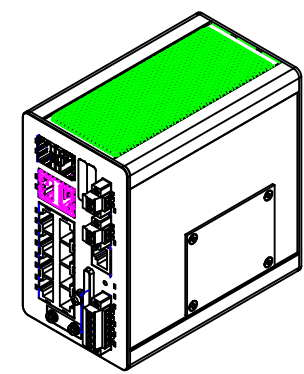
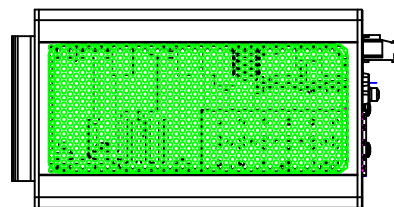


8 7 6 5 4 3 2 1

---		REVISION	---	
REV	DESCRIPTION	ECO	APPROVE	
			TECH	MFG



		PN-688691			
ITEM NO.	QTY	PART NUMBER	DESCRIPTION		
UNLESS OTHERWISE SPECIFIED, DIMENSIONS ARE IN INCHES - TOLERANCES:		<small>CONFIDENTIAL AND PROPRIETARY INFORMATION. THIS DOCUMENT CONTAINS CONFIDENTIAL AND PROPRIETARY INFORMATION OF ROCKWELL AUTOMATION. USE AND MAY NOT BE LOANED, COPIED OR DISCLOSED TO OTHERS EXCEPT WITH THE AUTHORIZED WRITTEN PERMISSION OF ROCKWELL AUTOMATION, INC.</small>		<b>Rockwell Automation</b>	
MATERIAL:		THIRD ANGLE PROJECTION		APPROVAL	DATE
FINISH:				STRATIX 5200 SWITCH, 8 COPPER 100/1000 PORTS, 2 COMBO 100/1000 PORTS, FULL FW, DLR	
				TYPE	DWG NO.
				1783-CMS10DP	
				100 NOT SCALE DRAWING	
				SHEET 1 OF 1	

8 7 6 5 4 3 2 1 CAD TYPE: PDR