

1 2 3 4 5 6 7 8

A

B

C

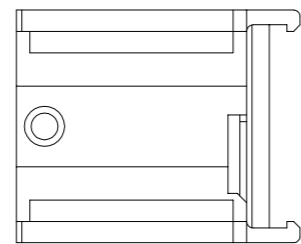
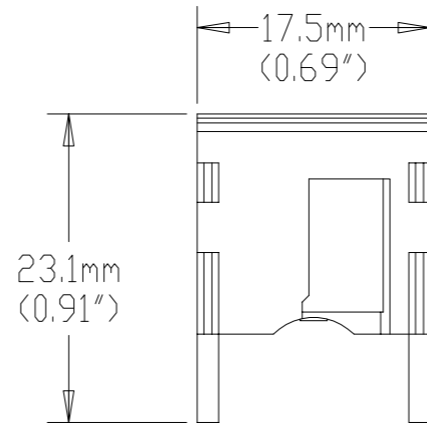
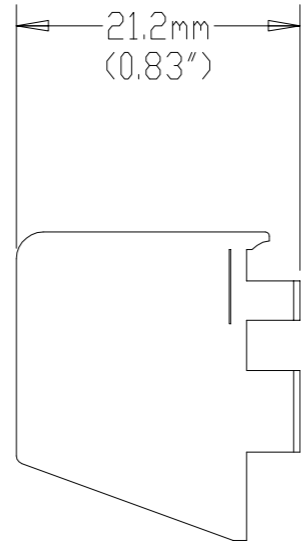
D

E

F

G

H



**Rockwell  
Automation**

CONFIDENTIAL AND PROPRIETARY INFORMATION.  
THIS DOCUMENT CONTAINS CONFIDENTIAL AND PROPRIETARY  
INFORMATION OF ROCKWELL AUTOMATION, INC. AND MAY  
NOT BE USED, COPIED OR DISCLOSED TO OTHERS, EXCEPT  
WITH THE AUTHORIZED WRITTEN PERMISSION OF ROCKWELL  
AUTOMATION, INC.

AUX. CONT. 189-AB01 & 189-AB10

Sheet 1 of 1

Drawn by: M. GUELM

Date: JAN-30-2015

Size	Ver
B	01
10000872009	