

1 2 3 4 5 6 7 8

A

B

C

D

E

F

G

H

A

B

C

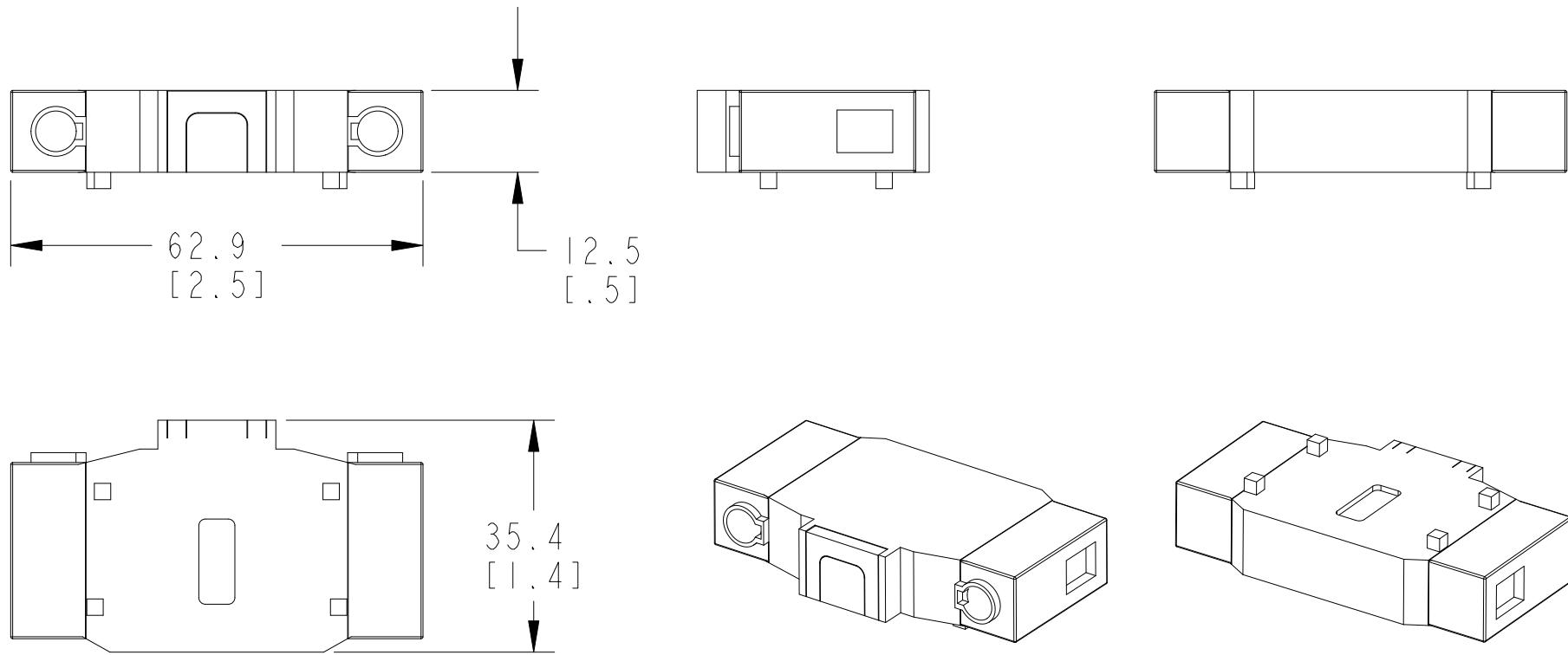
D

E

F

G

H



DIMENSIONS IN MILLIMETERS [INCHES].
 DIMENSIONS ARE NOT INTENDED TO BE USED IN MANUFACTURING PURPOSES.



DESCRIPTION	194E-E16-PE		DATE: 2023-08-07	SHEET 1 OF 1
	CREATED BY: M. GONCZARENKO	CHANGED BY: -	SIZE: A4	DIR: 10003456951
			VER: 00	

1 2 3 4 5 6 7 8