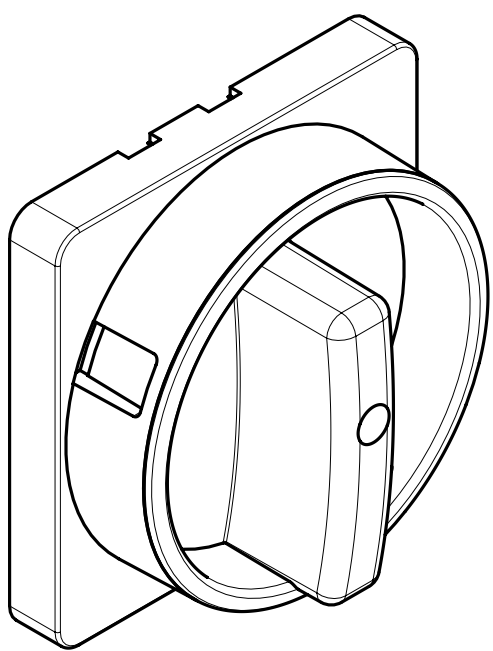
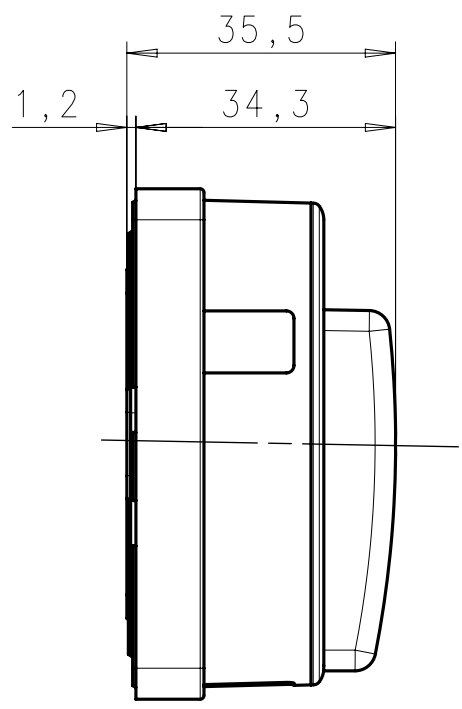
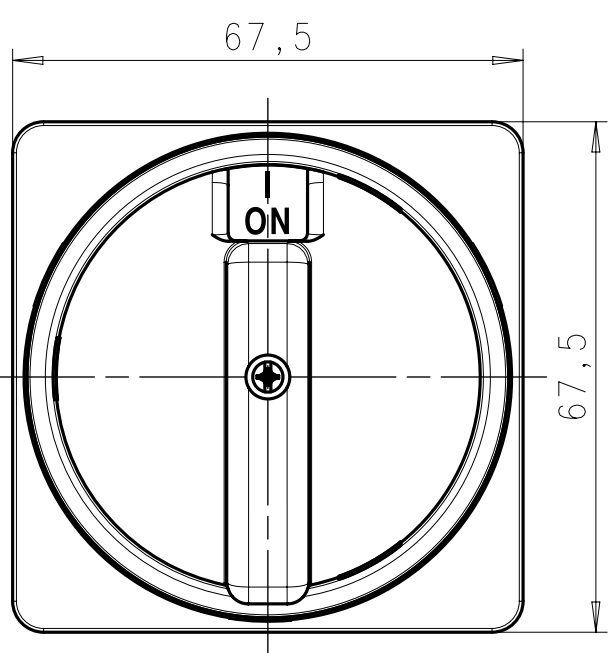


A

B

C



M. 1:1

General tolerances according to:

**Rockwell  
Automation**

CONFIDENTIAL AND PROPRIETARY INFORMATION. THIS DOCUMENT  
CONTAINS CONFIDENTIAL AND PROPRIETARY INFORMATION OF  
ROCKWELL AUTOMATION, INC. AND MAY NOT BE USED, COPIED OR  
DISCLOSED TO OTHERS, EXCEPT WITH THE AUTHORIZED WRITTEN  
PERMISSION OF ROCKWELL AUTOMATION, INC.

Emergency Stop 194L-HE6N-175  
Dimension drawing

Sheet	1	Of	1
Size	A	10003111881	REV 00
A 4			

Drawn by: Hoechli Andreas

Date: 05-19-2017

PARTS MUST CONFORM TO  
ROCKWELL AUTOMATION  
ENVIRONMENTAL SPECIFICATION  
970-20-01

