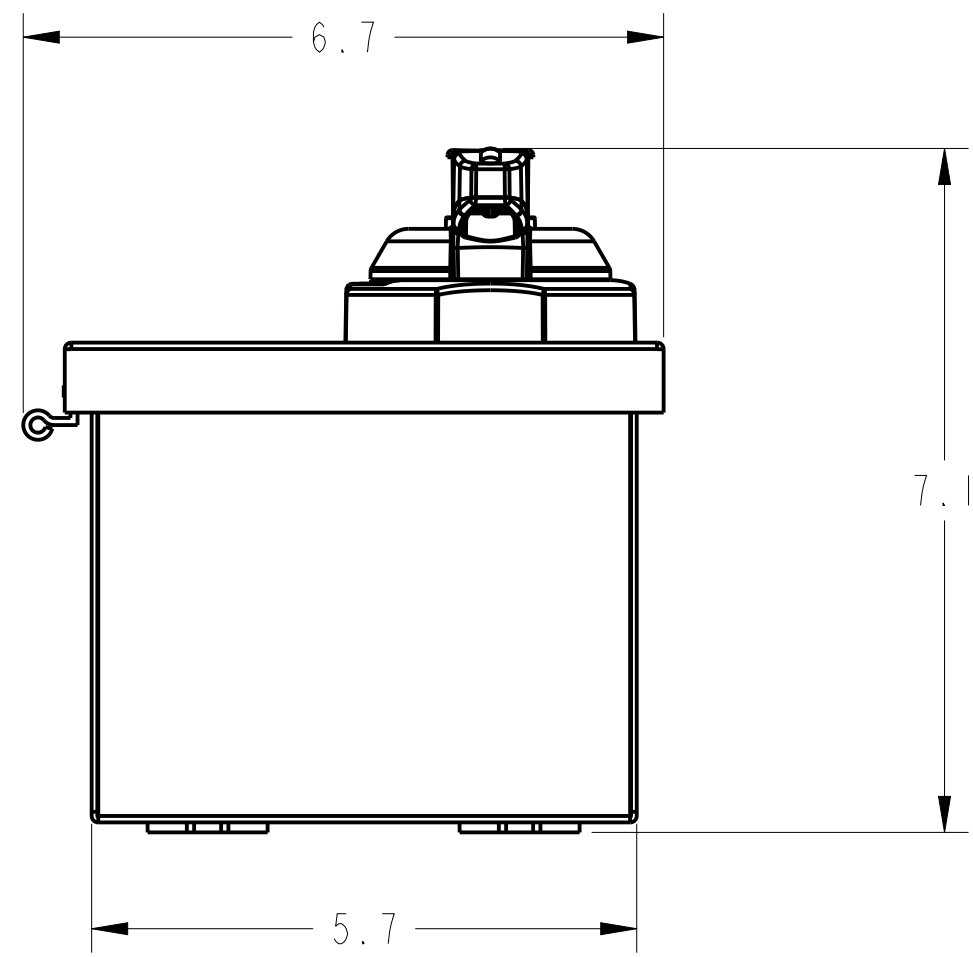
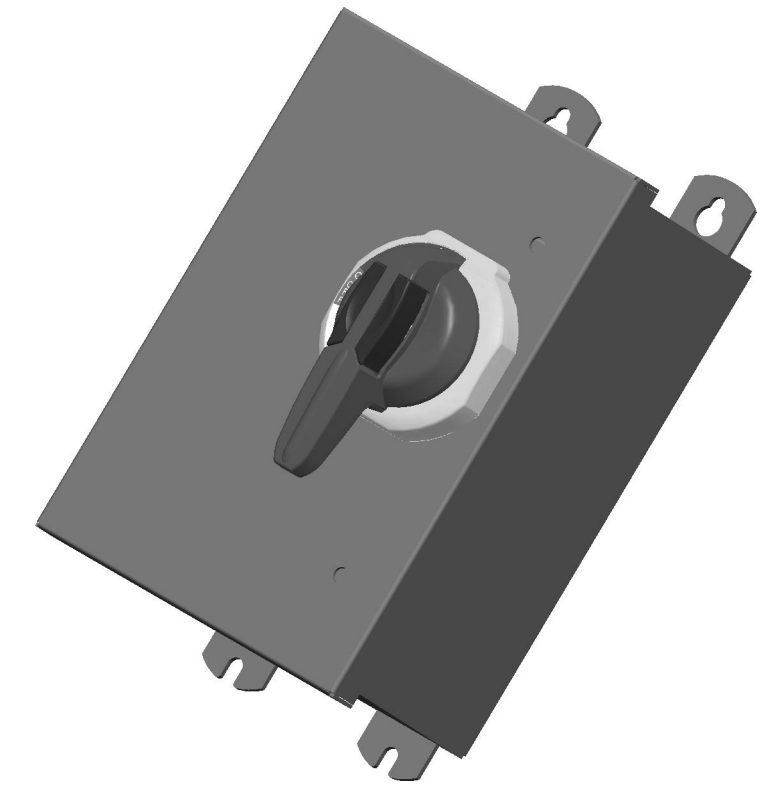
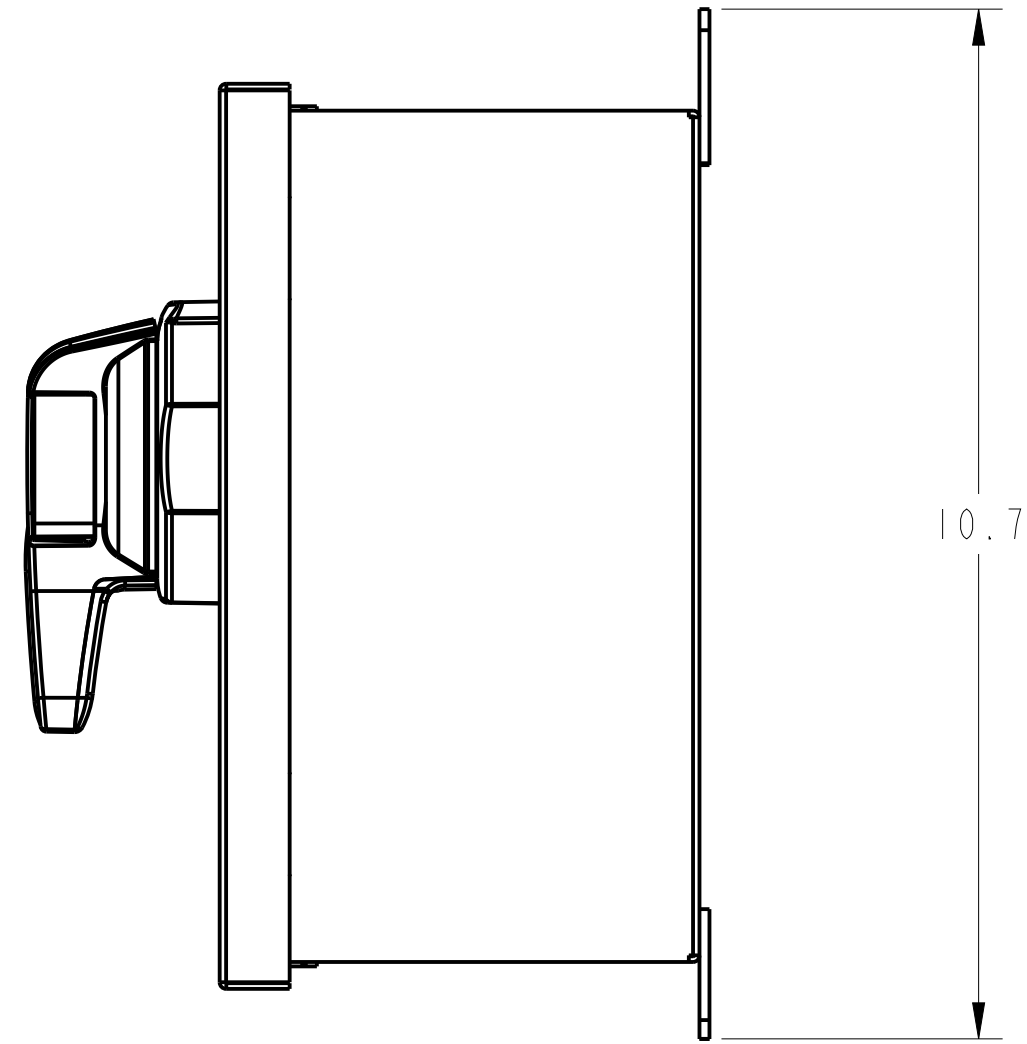
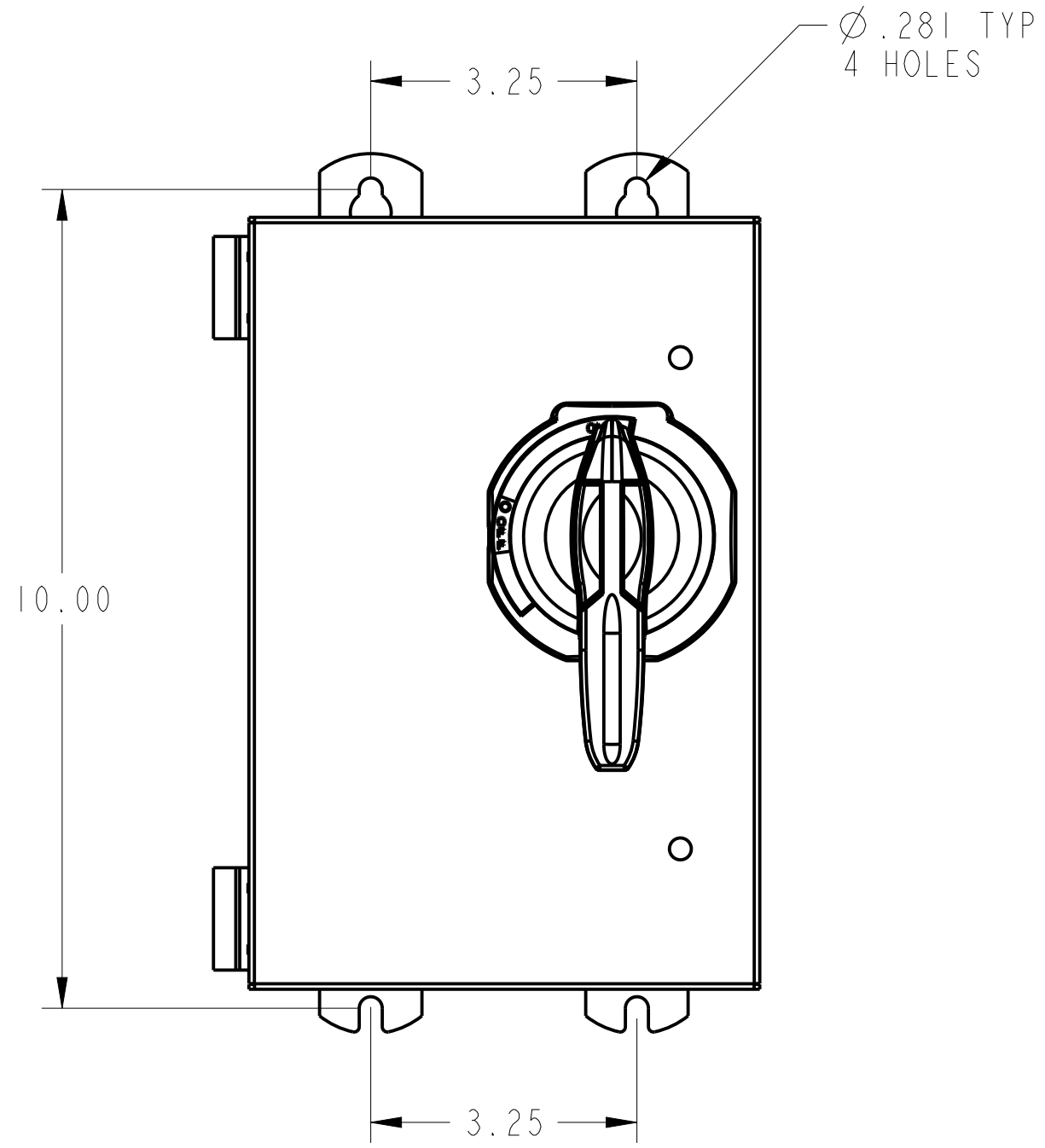


1 2 3 4 5 6 7 8

NOTES:
 1. DIMENSIONS SHOWN IN INCHES
 2. DIMENSIONS FOR REFERENCE ONLY, NOT FOR MANUFACTURING

A
B
C
D
E
F
G
H



SCALE 0.500

Rockwell Automation		CONFIDENTIAL AND PROPRIETARY INFORMATION. THIS DOCUMENT CONTAINS CONFIDENTIAL AND PROPRIETARY INFORMATION OF ROCKWELL AUTOMATION, INC. AND MAY NOT BE USED, COPIED OR DISCLOSED TO OTHERS, EXCEPT WITH THE AUTHORIZED WRITTEN PERMISSION OF ROCKWELL AUTOMATION, INC.	
DESCRIPTION 194R ENCLOSURE WITH P-STYLE HANDLE STAINLESS STEEL ENCLOSURE, TYPE 4/4X 30A NON-FUSED, 3 POLE SWITCH		Sheet 1 Of 1	
DRAWN BY: JEROGERS	DATE: 05-10-2018	SIZE DIR C	VER 10003986143 00