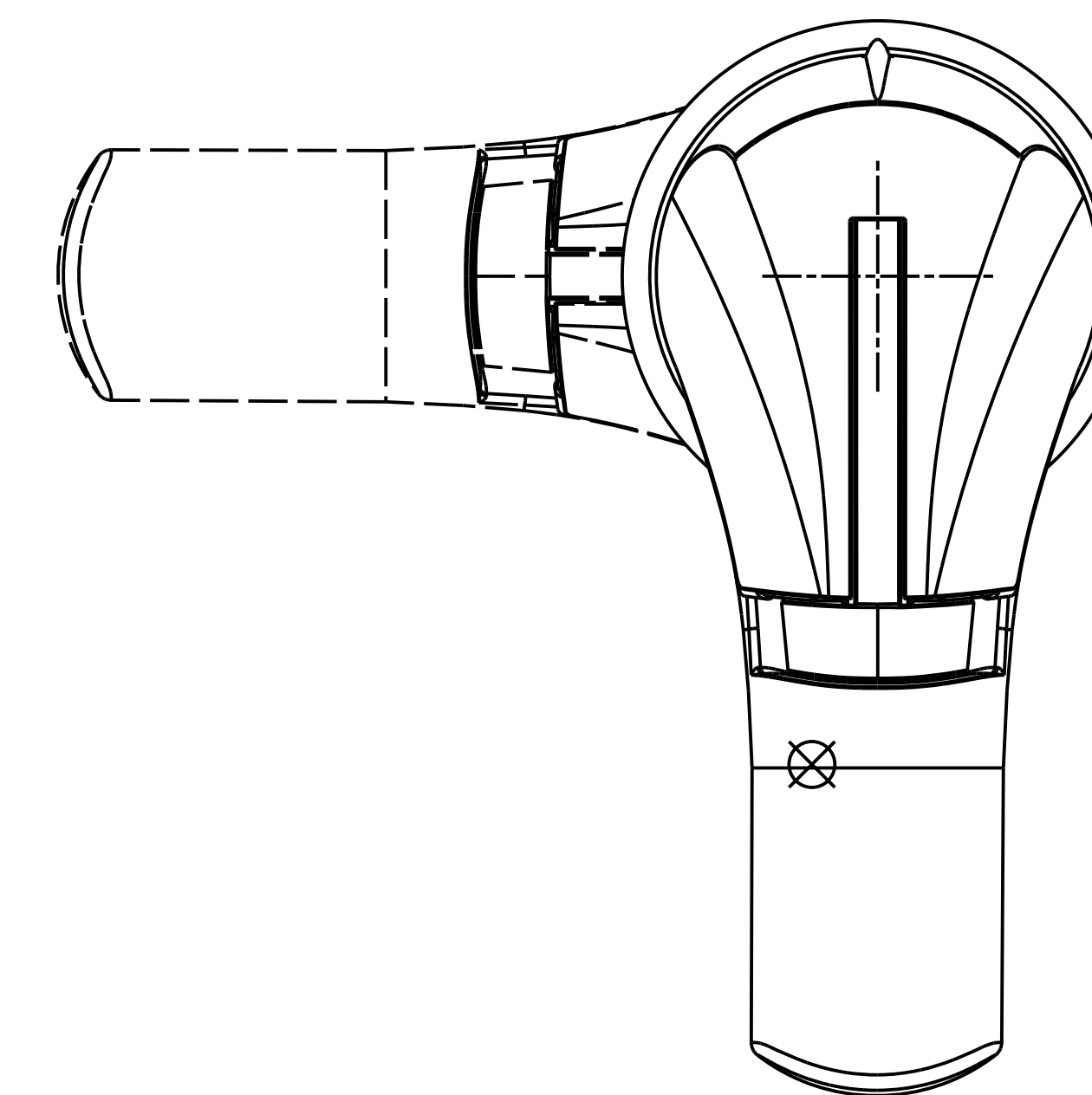
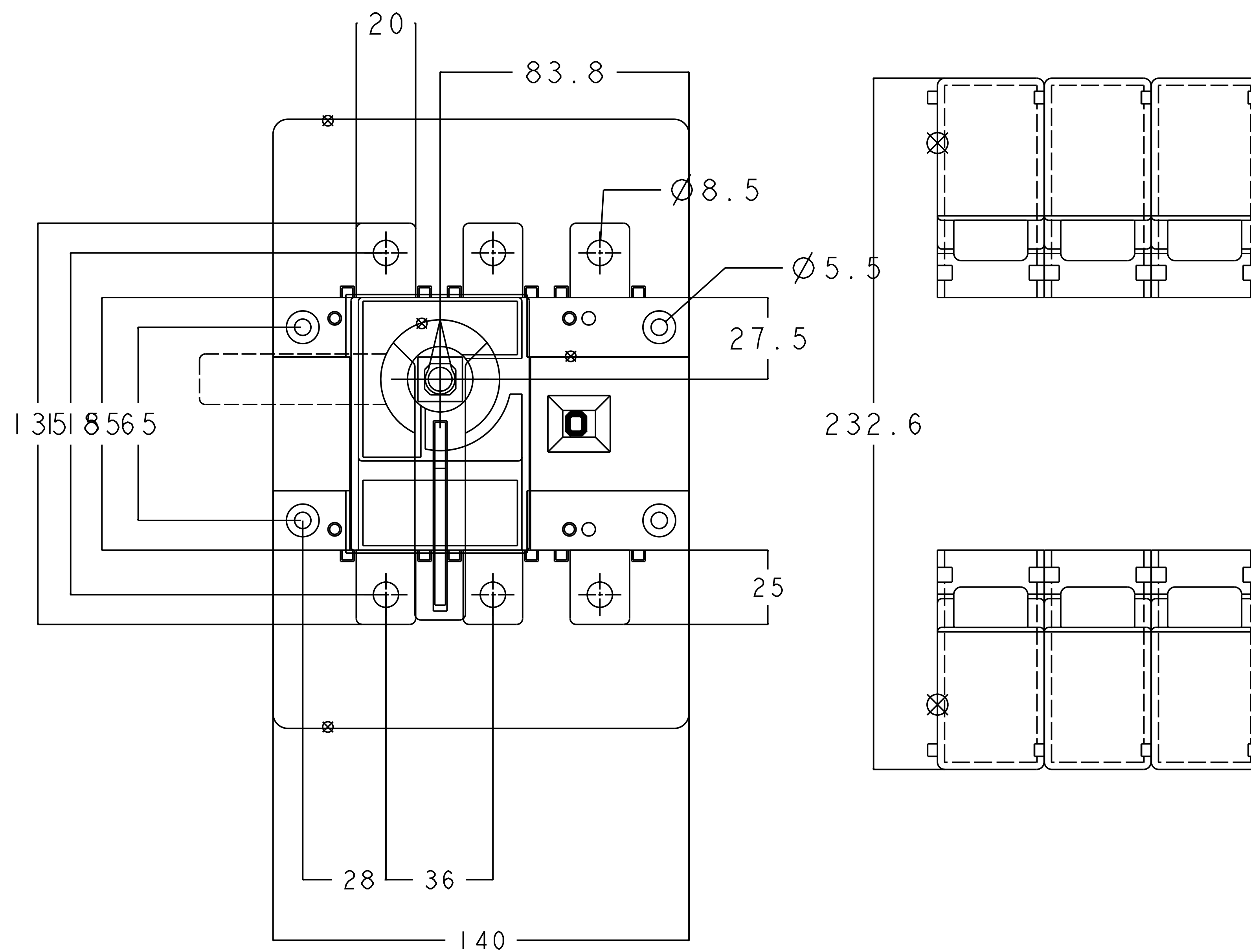
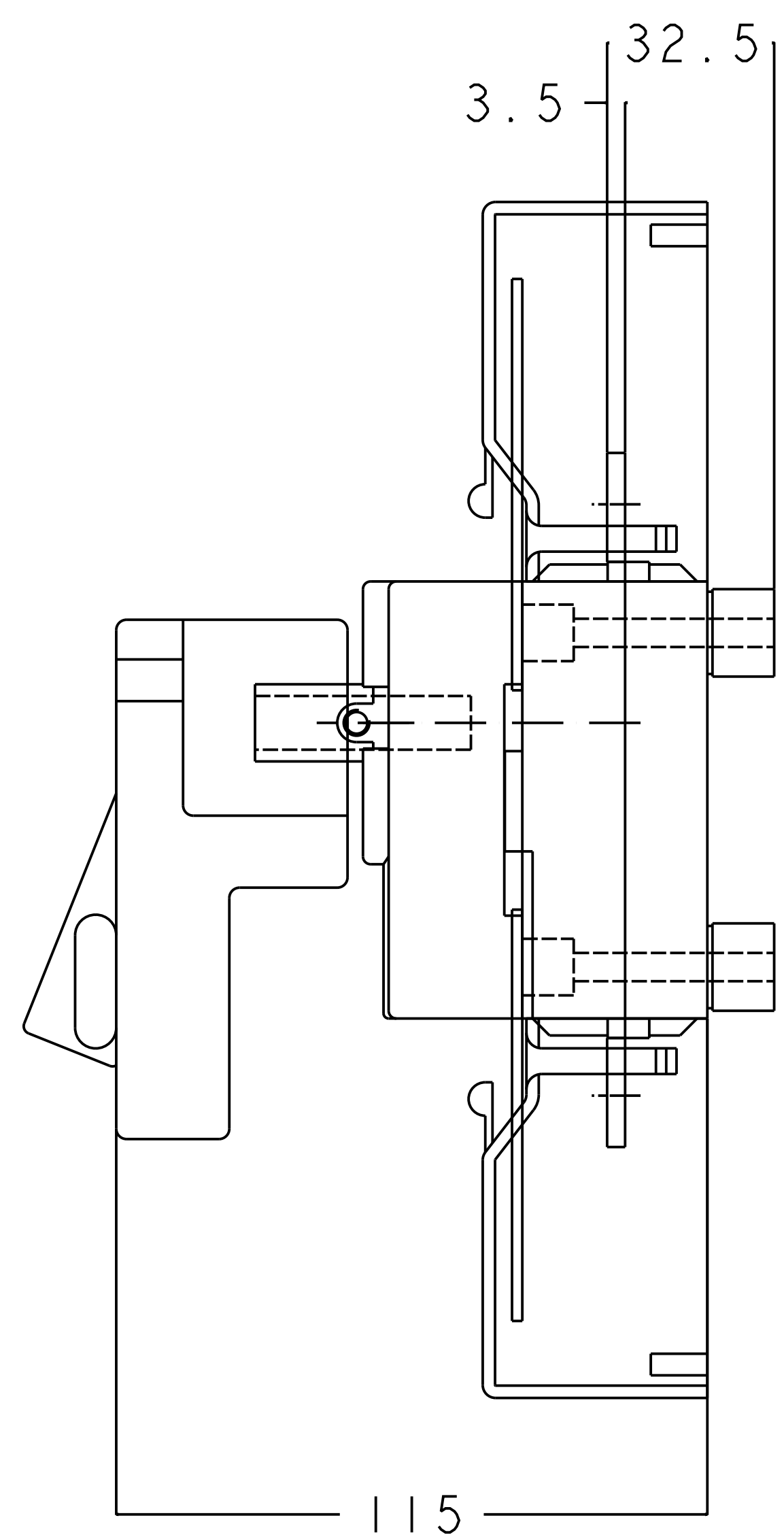
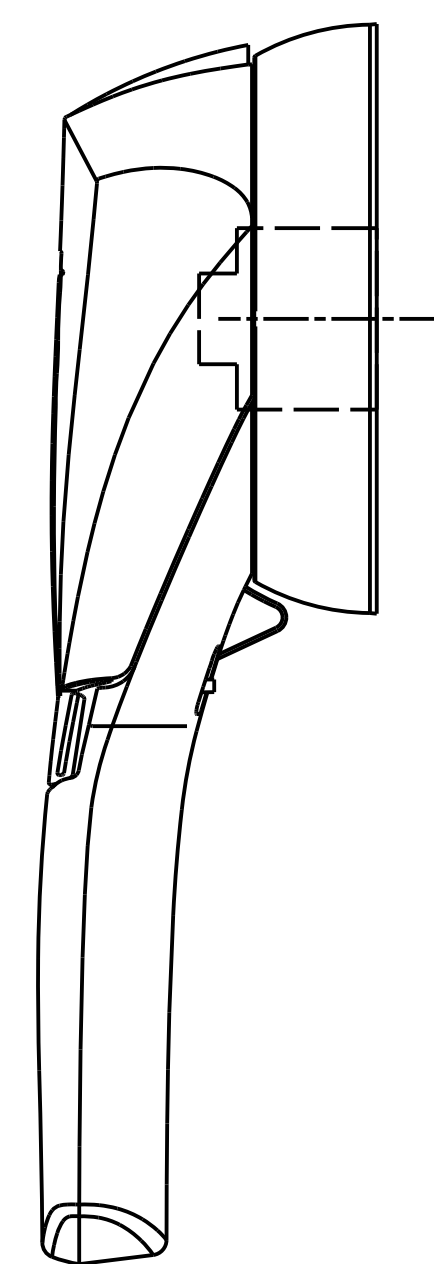
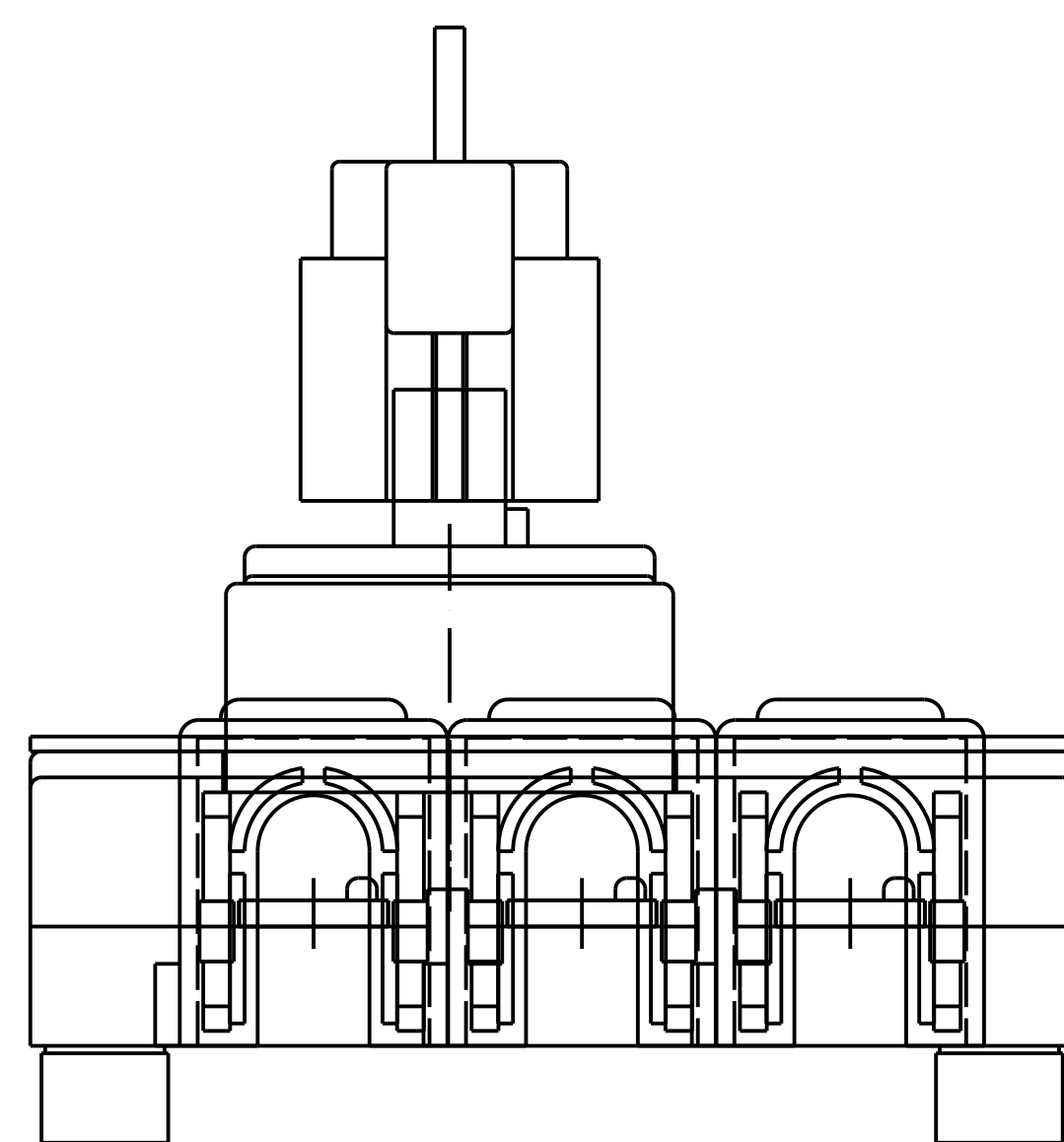


| Rep. | Nom | Code | N° | Qté |
|------|--------------------------|----------|-------|-----|
| 7 | POIGNEE CDE EXT TYPE S2 | 14212111 | dφ | 1 |
| 4 | POIGNEE CDE DIRECT TYPE | 26995042 | pl/an | 1 |
| 3 | BINCO 3X125A FRT | 26003014 | / | 1 |
| 8 | ACRANE DE PROTECTION DES | 26983012 | / | 2 |
| 9 | CACHES BORNES 3P | 26943014 | / | 2 |



DOOR DRILLING

