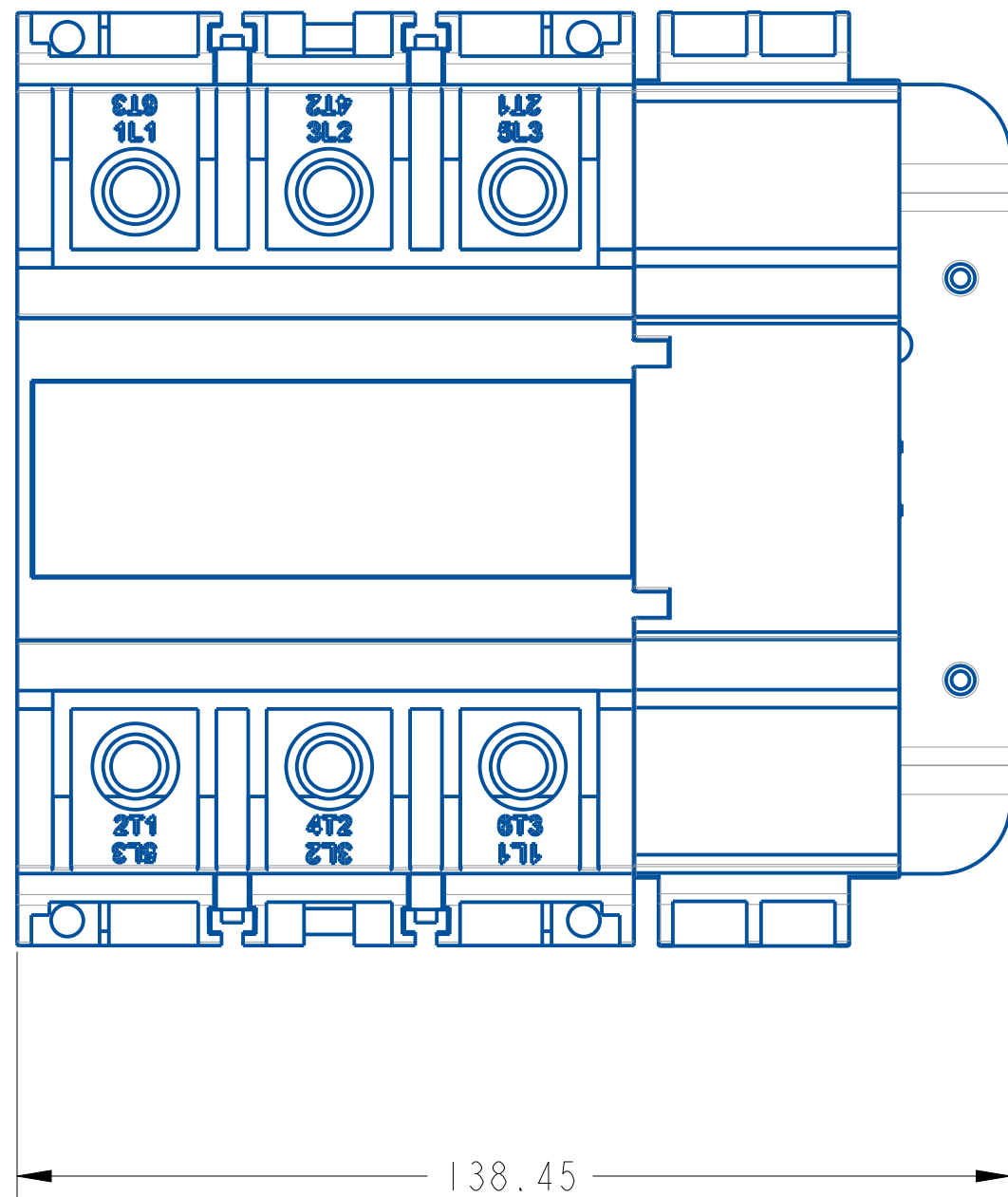
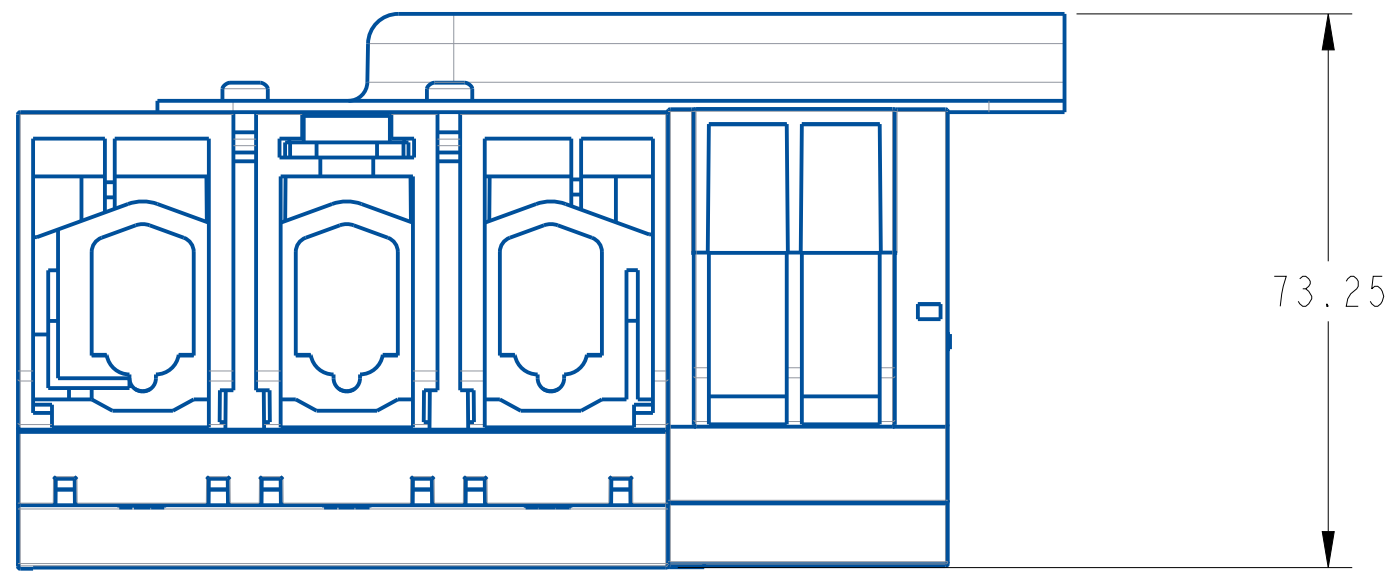


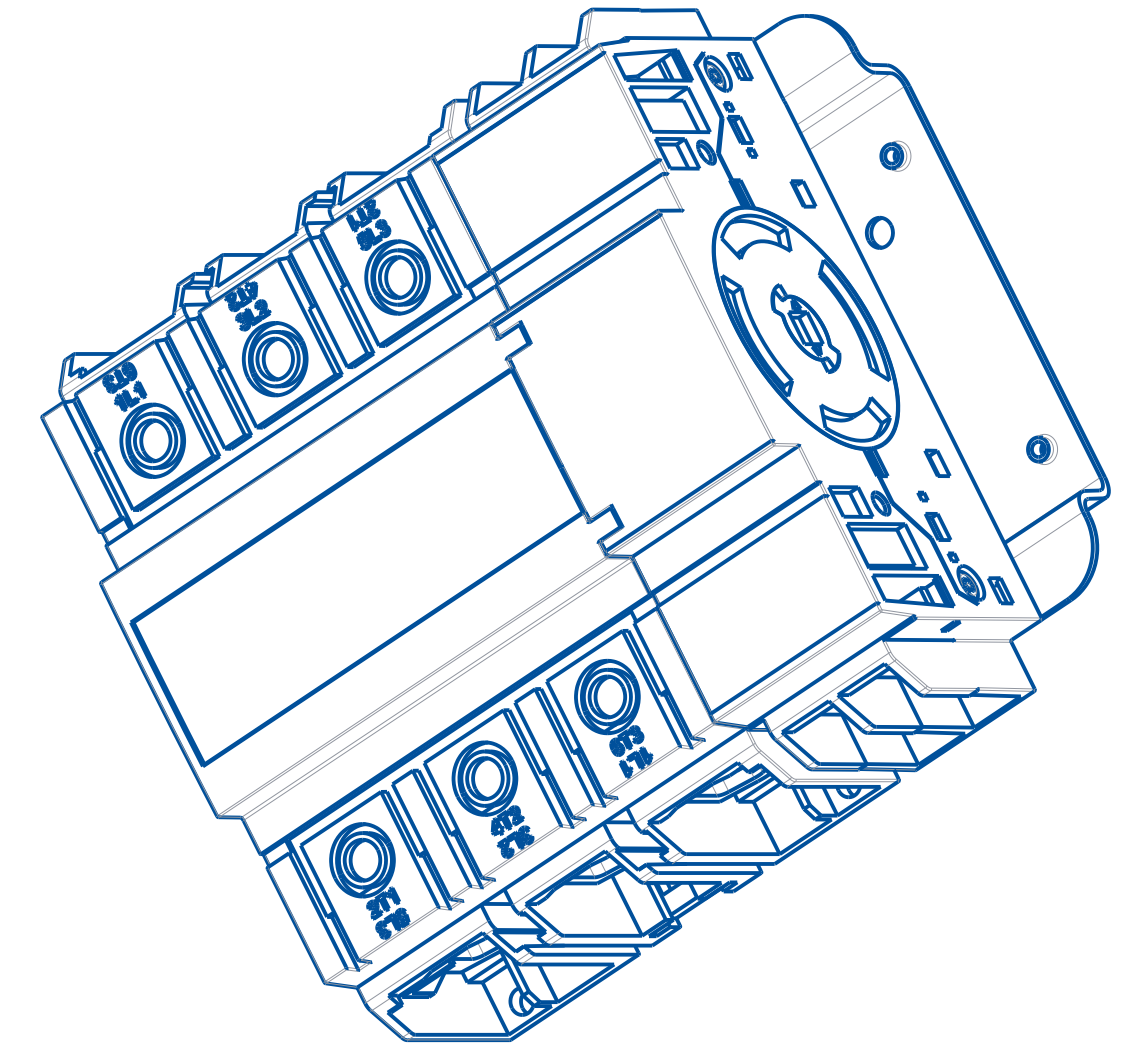
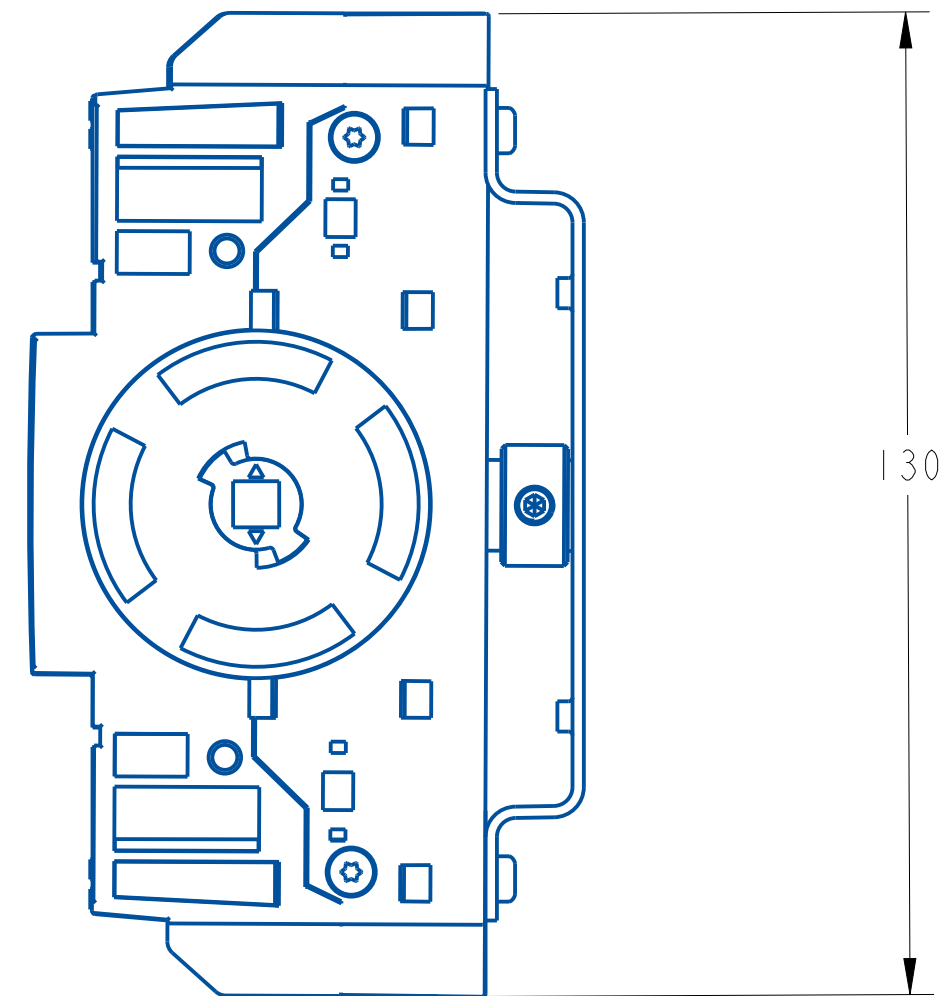


**Rockwell
Automation**

| | |
|----------------|----------------|
| CATALOGUE NAME | 194U-E160-1753 |
|----------------|----------------|



FRONT VIEW



3D VIEW

*ALL DIMENSIONS
ARE IN MM

ALL UNDIMENSIONED GEOMETRIES
ARE CONTROLLED BY THE CAD
MODEL. IN CASE OF DIMENSION
DISCREPANCY, CAD MODEL
OVERRIDES.

THIRD ANGLE PROJECTION

