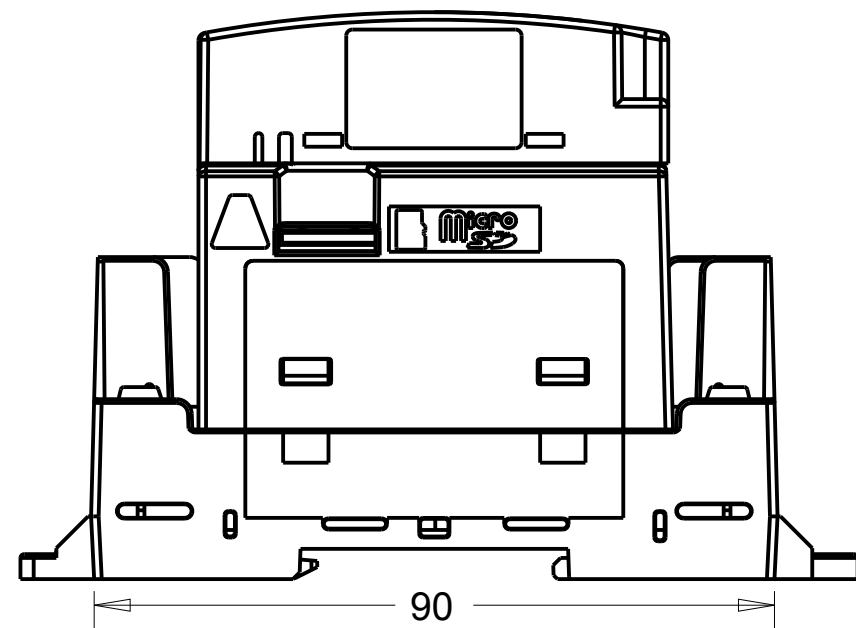
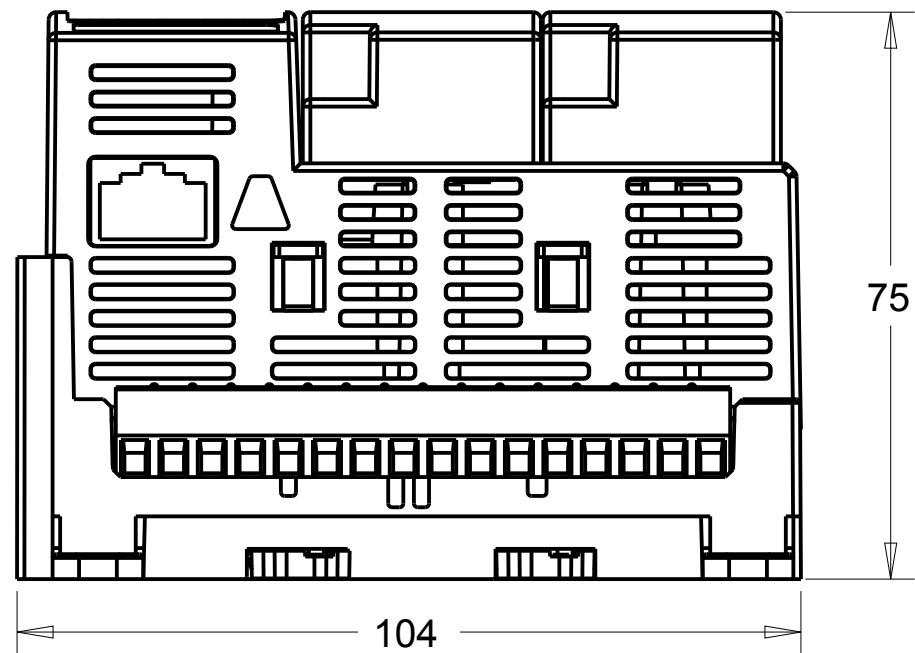
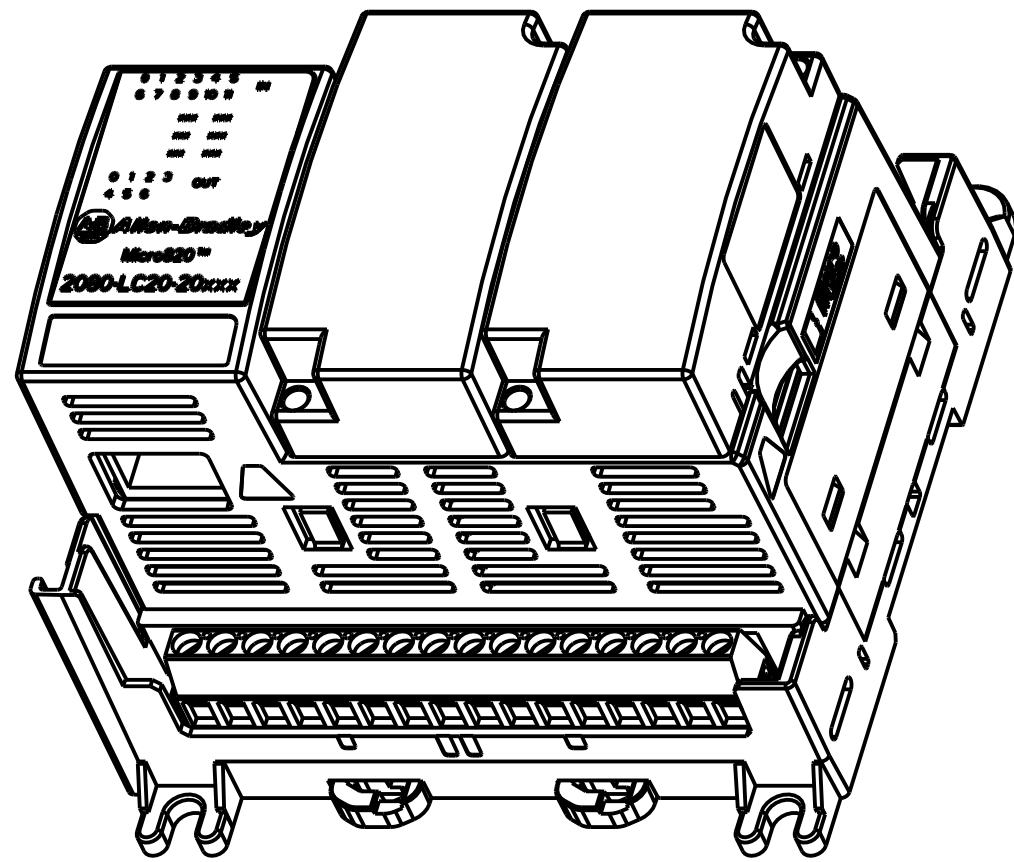
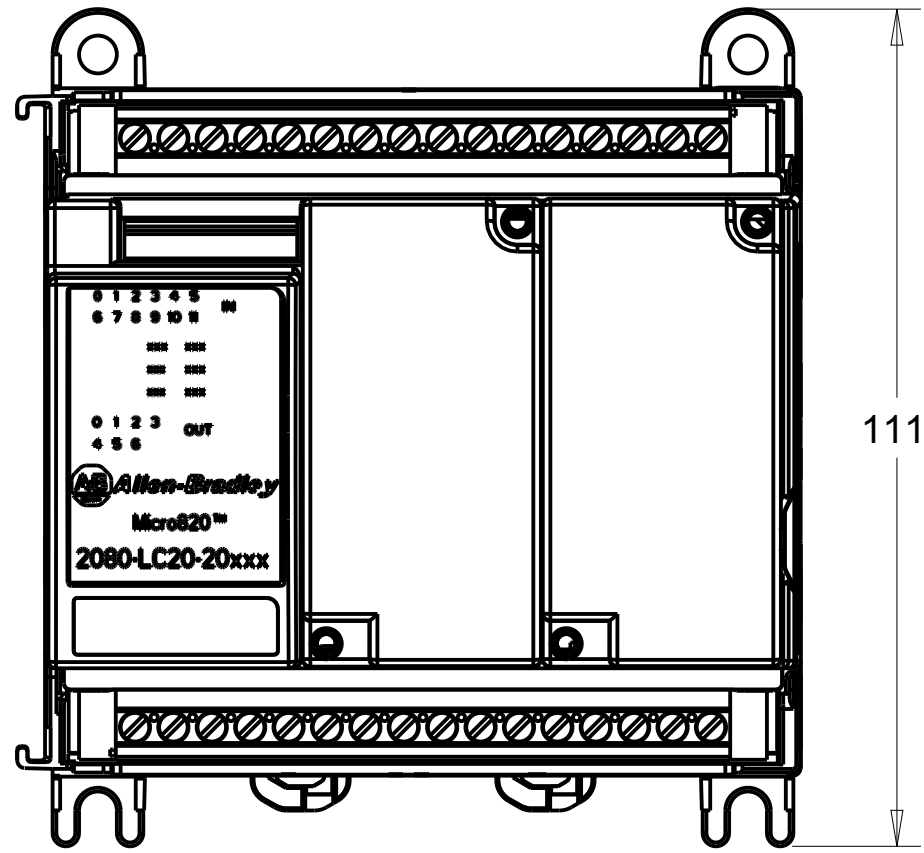


1 2 3 4 5 6 7 8

A
B
C
D
E
F
G
H



<h1>Rockwell Automation</h1>		<small>CONFIDENTIAL AND PROPRIETARY INFORMATION. THIS DOCUMENT CONTAINS CONFIDENTIAL AND PROPRIETARY INFORMATION OF ROCKWELL AUTOMATION, INC. AND MAY NOT BE USED, COPIED OR DISCLOSED TO OTHERS, EXCEPT WITH THE AUTHORIZED WRITTEN PERMISSION OF ROCKWELL AUTOMATION, INC.</small>	
		M_820_2D_ASSY	
Drawn by: YSUPRIA		Date: NOV-15-2013	
		Sheet 1 Of 1	Ver 00
Size B	10000886413		Ver 00