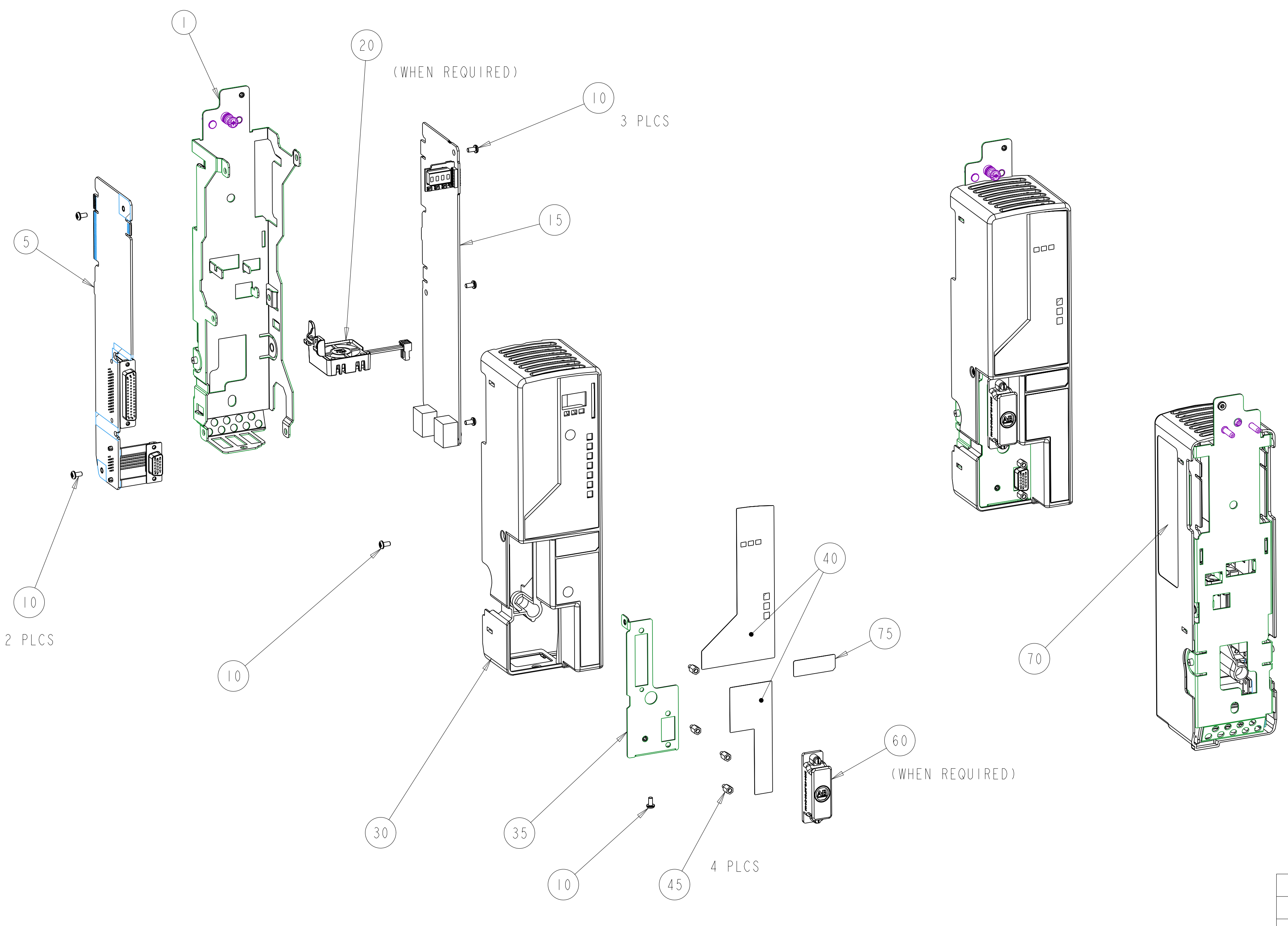


1 2 3 4 5 6 7 8

A
B
C
D
E
F
G
H



2 PLCS

3 PLCS

4 PLCS

(WHEN REQUIRED)

(WHEN REQUIRED)

TORQUE TABLE
UNLESS OTHERWISE SPECIFIED

ITEM NO.	DESCRIPTION	TORQUE IN. -LBS.
10	M3 X 6 PAN HD	5 ±1
45	4-40 STANDOFF	5 ±1

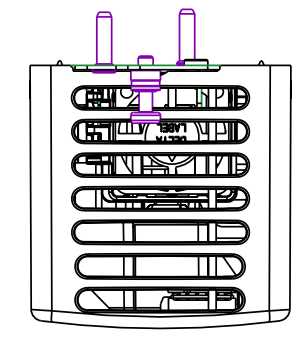
USE ASSEMBLY FIXTURE AF-2202
WHEN ASSEMBLING ITEMS
5 AND 15 TO ITEM 1
SEE SHEET 2

PART NUMBER
74107-902-51
74107-904-51

		CONFIDENTIAL AND PROPRIETARY INFORMATION. THIS DOCUMENT CONTAINS CONFIDENTIAL AND PROPRIETARY INFORMATION OF ROCKWELL AUTOMATION, INC. AND MAY NOT BE USED, COPIED OR DISCLOSED TO OTHERS, EXCEPT WITH THE AUTHORIZED WRITTEN PERMISSION OF ROCKWELL AUTOMATION, INC.	
		Sheet 1 Of 2	
74107-902-51-18se09.drw CONTROL ASSEMBLY KINETIX 6500		Size C	Ver 00
Drawn by: S. CLORAN		Date: 11-11-09	
		10000083829	

1 2 3 4 5 6 7 8

A
B
C
D
E
F
G
H



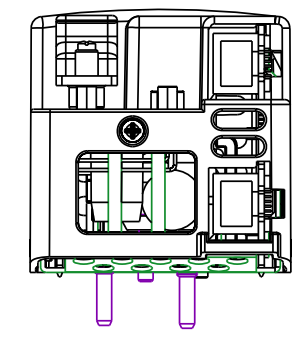
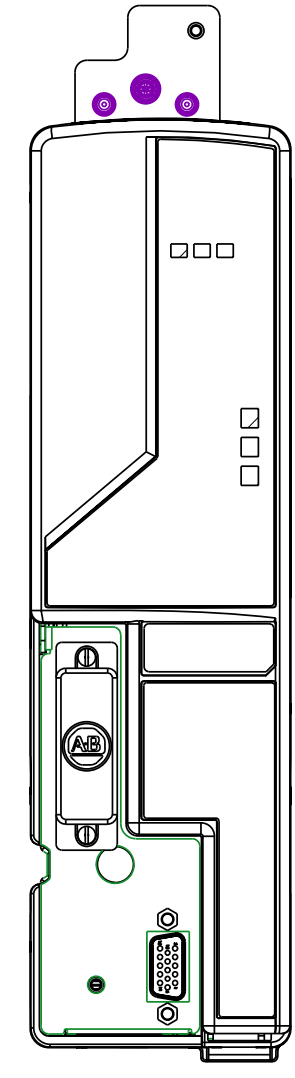
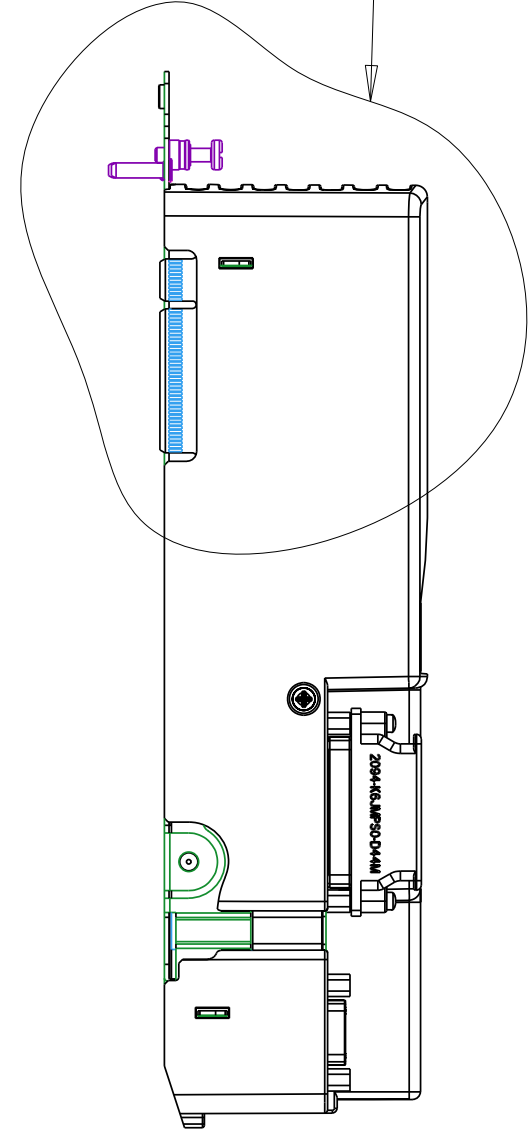
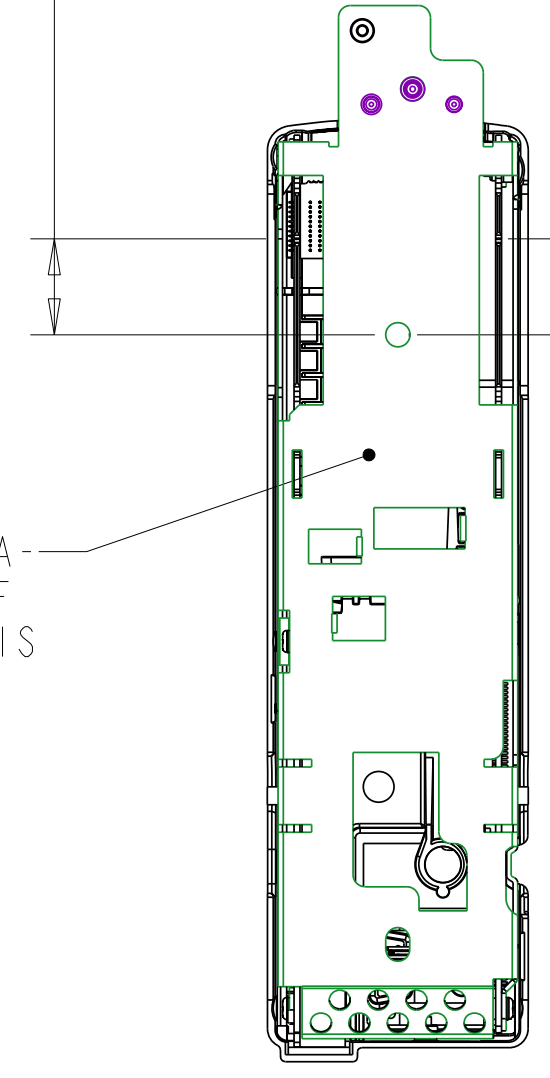
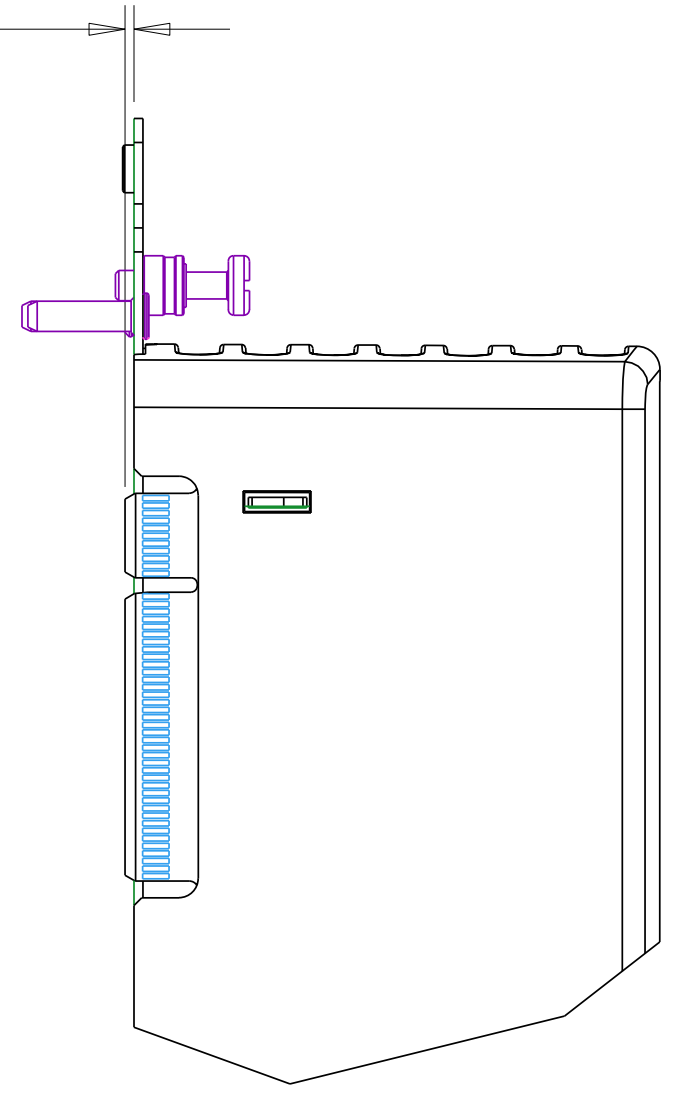
SEE DETAIL A

1.000 ± .010
ALIGNMENT HOLE IN
ITEM 1 (CHASSIS) TO
CL OF PCI EDGE CARD
KEY SLOT IN ITEM 15
(LOGIC PCBA)

DATUM -A-
REAR SURFACE OF
ITEM 1, CHASSIS

.046 ± .010
DATUM -A- TO
PCI EDGE CARD
OUTER SURFACES
4 PLACES

1.000 ± .010
ALIGNMENT HOLE IN
ITEM 1 (CHASSIS) TO
CL OF PCI EDGE CARD
KEY SLOT IN ITEM 5
(I/O PCBA)



CONTROL MODULE ASSEMBLY DIMENSIONS

DETAIL A
SCALE 1.000

PART NUMBER
74107-902-51
74107-904-51

		<small>CONFIDENTIAL AND PROPRIETARY INFORMATION. THIS DOCUMENT CONTAINS CONFIDENTIAL AND PROPRIETARY INFORMATION OF ROCKWELL AUTOMATION, INC. AND MAY NOT BE USED, COPIED OR DISCLOSED TO OTHERS, EXCEPT WITH THE AUTHORIZED WRITTEN PERMISSION OF ROCKWELL AUTOMATION, INC.</small>	
		Sheet 2 Of 2	
74107-902-51-18se09.drw CONTROL ASSEMBLY KINETIX 6500		Size C	Ver 00
Drawn by: S. CLORAN		Date: 11-11-09	
		10000083829	