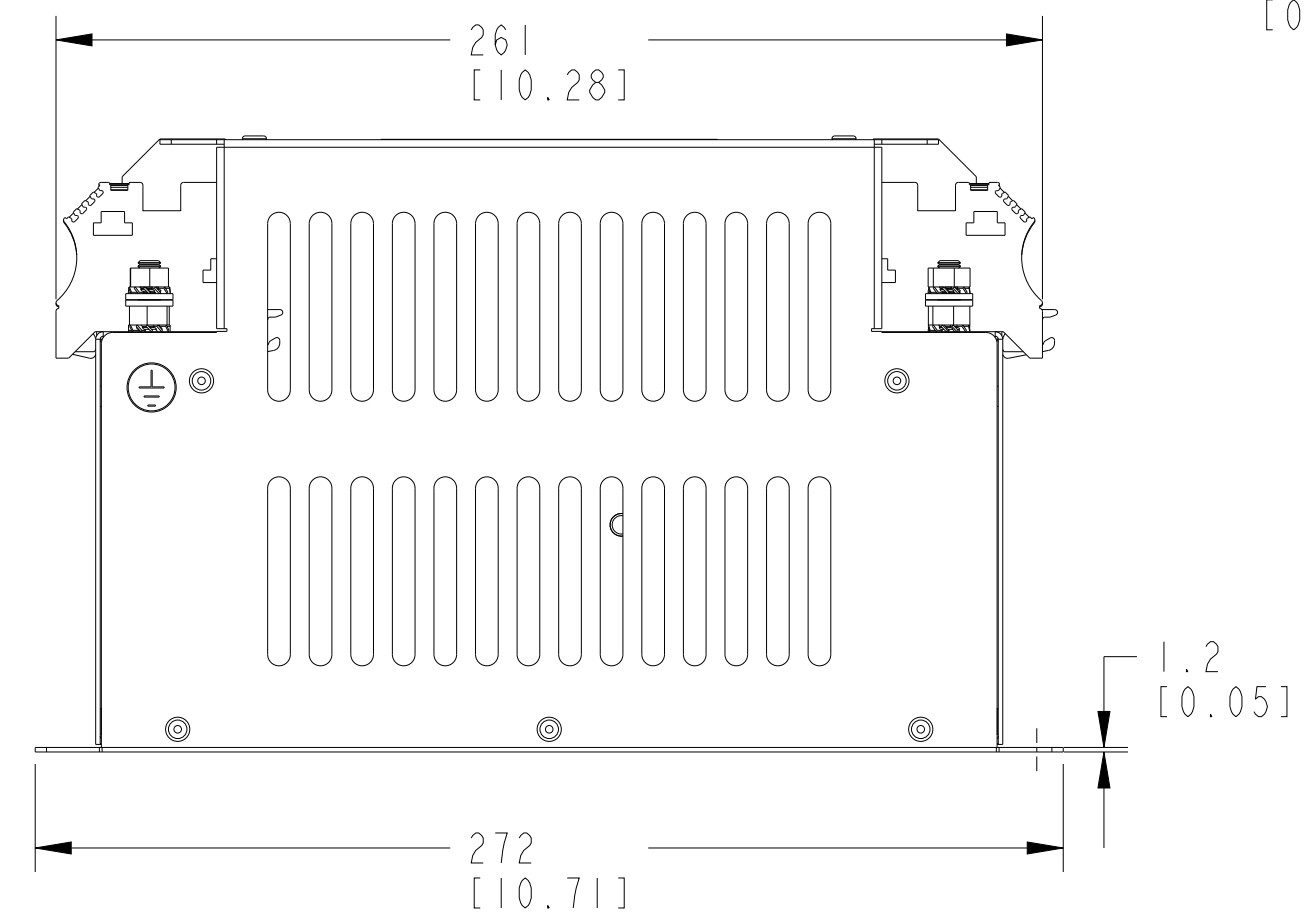
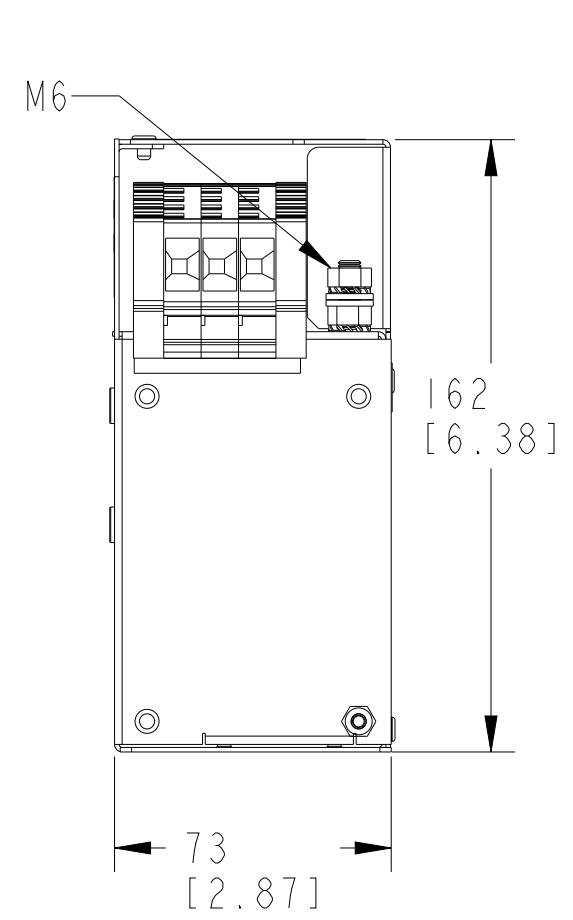
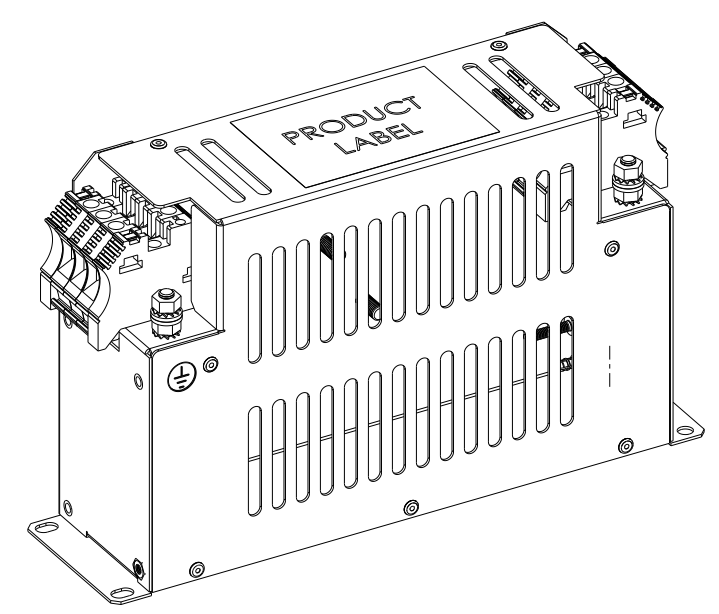
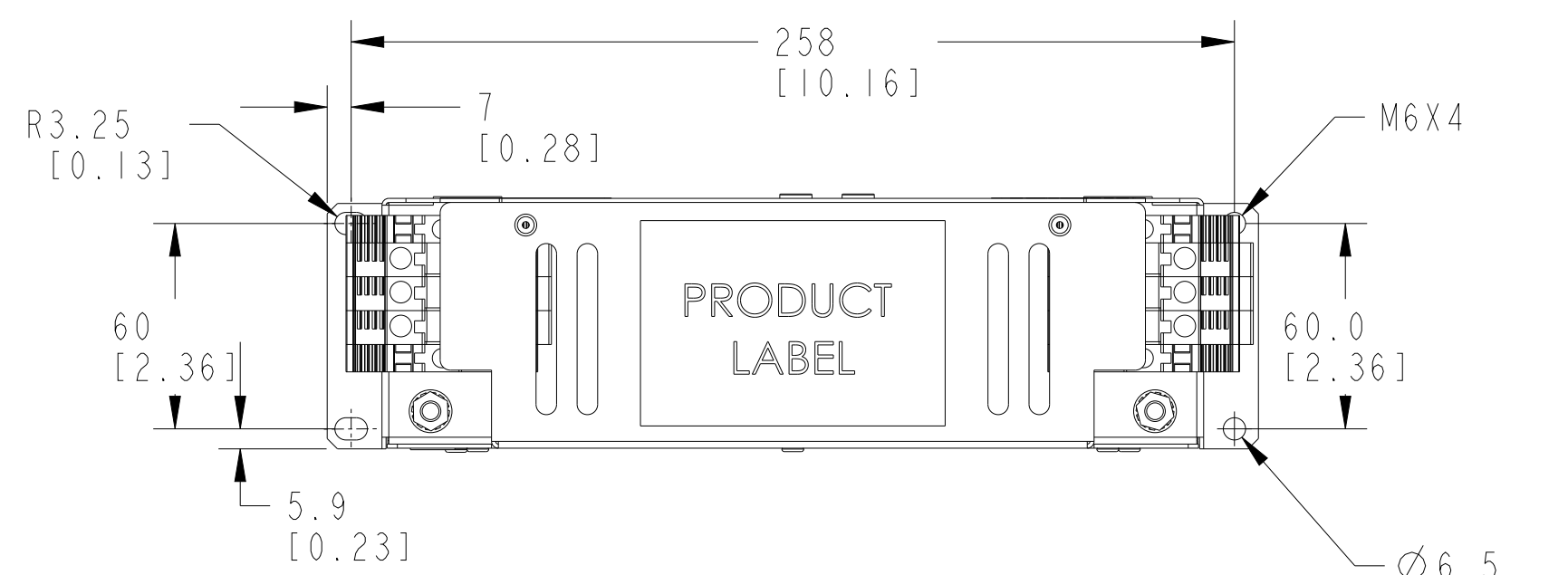


**CRITICAL TO QUALITY CLASSIFICATION TABLE**

P=PERFORMANCE, F=FIT, A=ASSEMBLY  
 X=IDENTIFIES APPLICABLE CLASSIFICATION(S)  
 ◇=ENGINEERING AND/OR MANUFACTURING REQUIREMENT  
 ⊕=REGULATORY REQUIREMENT-CONFORMANCE IS MANDATORY

COMMENTS	DRAWING ZONE	P	F	A	R
ROHS	G1-HI				X



MUST COMPLY WITH ROCKWELL AUTOMATION ENVIRONMENTAL SPECIFICATION 970-20-01

- NOTES:
- 1) ALL DIMENSIONS ARE IN mm (in.)
  - 2) WEIGHT: APPROXIMATE WEIGHT 2.70 KG.
  - 3) MOUNTING : 258 X 60 MM ,M6x4

ALL UNDIMENSIONED GEOMETRIES ARE CONTROLLED BY THE CAD MODEL. IN CASE OF DIMENSION DISCREPANCY, CAD MODEL OVERRIDES.				CONFIDENTIAL AND PROPRIETARY INFORMATION. THIS DOCUMENT CONTAINS CONFIDENTIAL AND PROPRIETARY INFORMATION OF ROCKWELL AUTOMATION, INC. AND MAY NOT BE USED, COPIED OR DISCLOSED TO OTHERS, EXCEPT WITH THE AUTHORIZED WRITTEN PERMISSION OF ROCKWELL AUTOMATION, INC.	
THIRD ANGLE PROJECTION		DESCRIPTION		DATE: 2023-01-05	
		DRW,K5500,LINE FILTER 42A		SHEET 1 OF 1	
CREATED BY: PTHAKRE		CHANGED BY:		SIZE: B	DIR: 2198-DB42-F
				VER: 00	