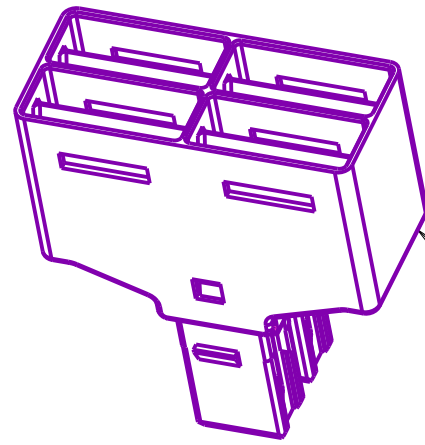


1 2 3 4 5 6 7 8

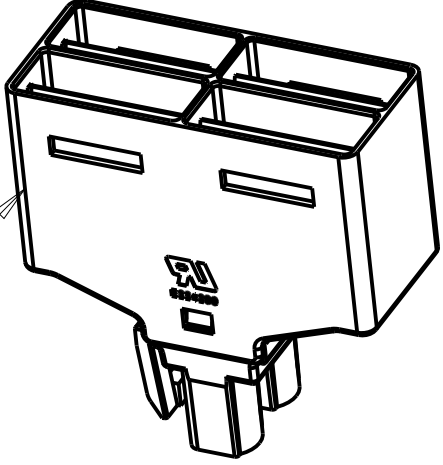
A
B
C
D
E
F
G
H

CATALOG #:2198-H040-DP-T

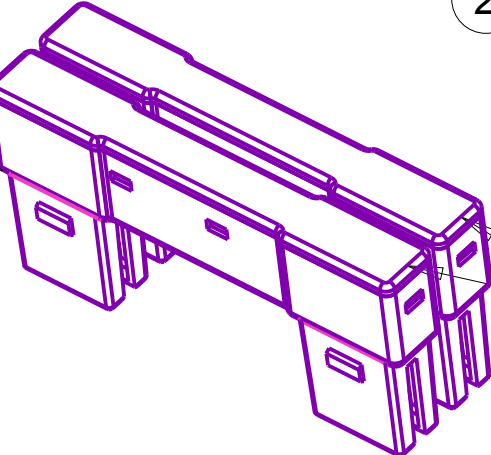
ITEM	DESCRIPTION	VENDOR PN
1	DC BUS T-CONNECTOR	3000852
2	CONTROL POWER T-CONNECTOR	3000851
3	BUS BAR 52.5 MM	3000821
4	SHIPPING ENVELOPE	N/A
5	PRODUCT LABEL	N/A
6	INSTALLATION SHEET	N/A



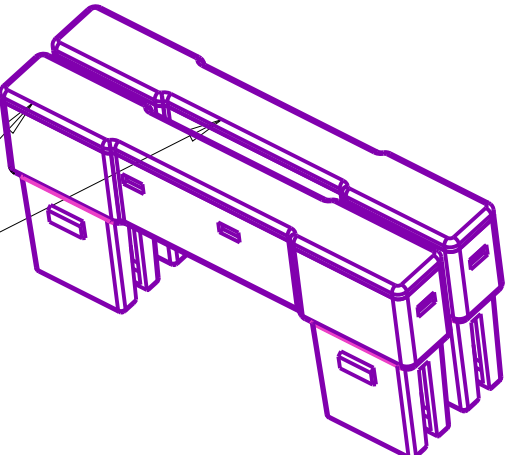
1



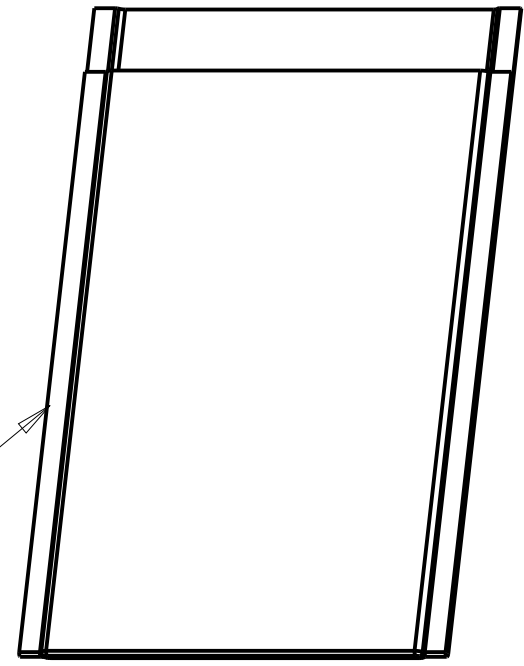
2



3



4



5



6

NOTE:
 1.PART SUPPLIED BY VENDOR.
 2.LABEL DATA MAY BE PRINTED DIRECTLY ONTO SHIPPING ENVELOPE INSTEAD OF A PRODUCT LABEL.
 3.FOR ADDITIONAL ROCKWELL AUTOMATION INFORMATION ON INDIVIDUAL COMPONENTS ON THIS DRAWING REFER DIR 10000722556.

P/N PN-172522

DIMENSIONS APPLY BEFORE SURFACE TREATMENT
 DIMENSIONS IN MILLIMETERS
 TOLERANCES UNLESS OTHERWISE SPECIFIED

.X: ±	N/A
.XX: ±	N/A
ANG: ±	N/A

Rockwell Automation

K5500 FR1,2 DC CONTROL CONNECTOR
 KINETIX MIDRANGE DRIVE

Drawn by: SRAMALI Date: 09-19-12

CONFIDENTIAL AND PROPRIETARY INFORMATION. THIS DOCUMENT CONTAINS CONFIDENTIAL AND PROPRIETARY INFORMATION OF ROCKWELL AUTOMATION, INC. AND MAY NOT BE USED, COPIED OR DISCLOSED TO OTHERS, EXCEPT WITH THE AUTHORIZED WRITTEN PERMISSION OF ROCKWELL AUTOMATION, INC.

Sheet 1 Of 1

Size	Ver
B	02

10000372247