

1

2

3

4

5

6

7

8

A

B

C

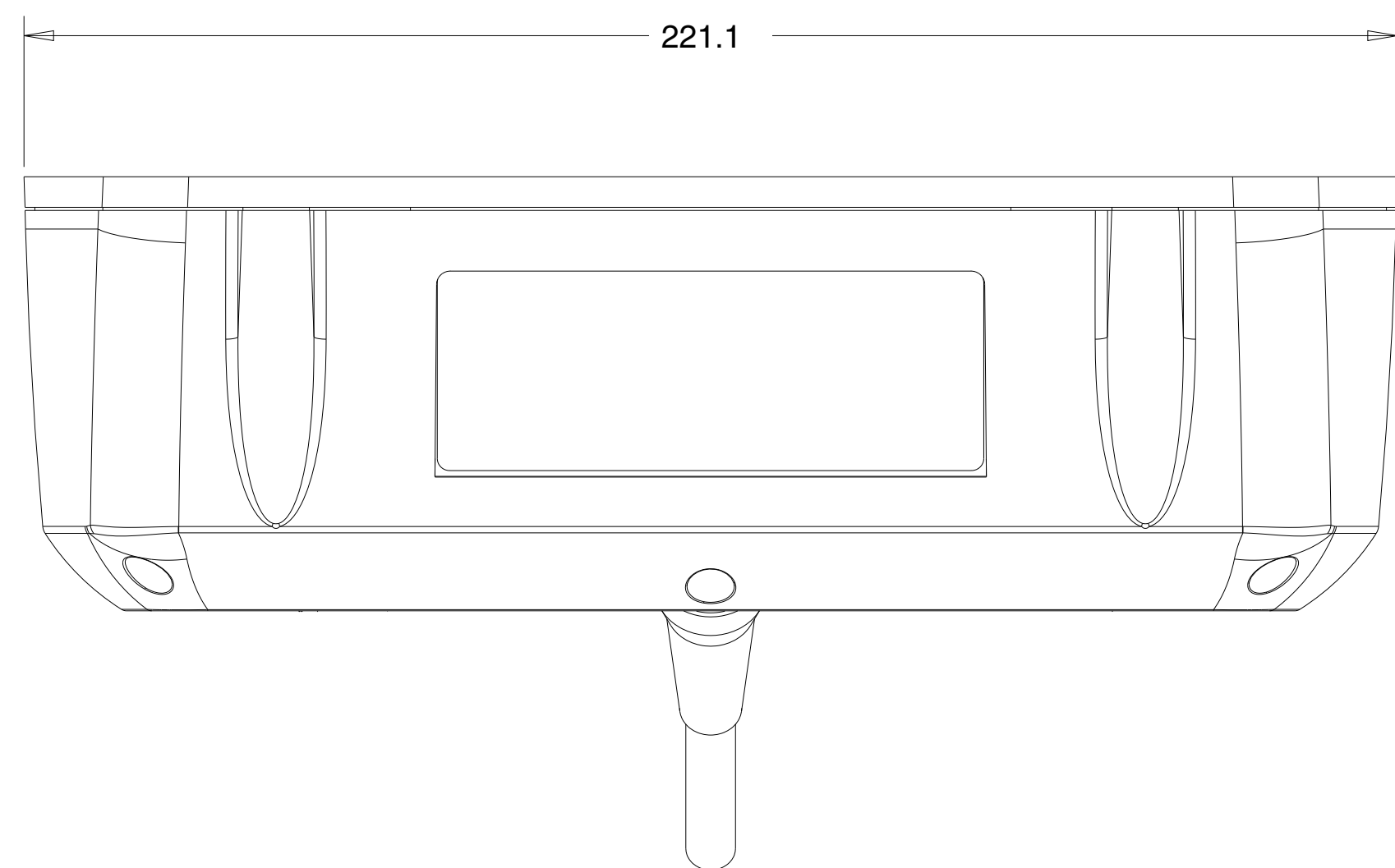
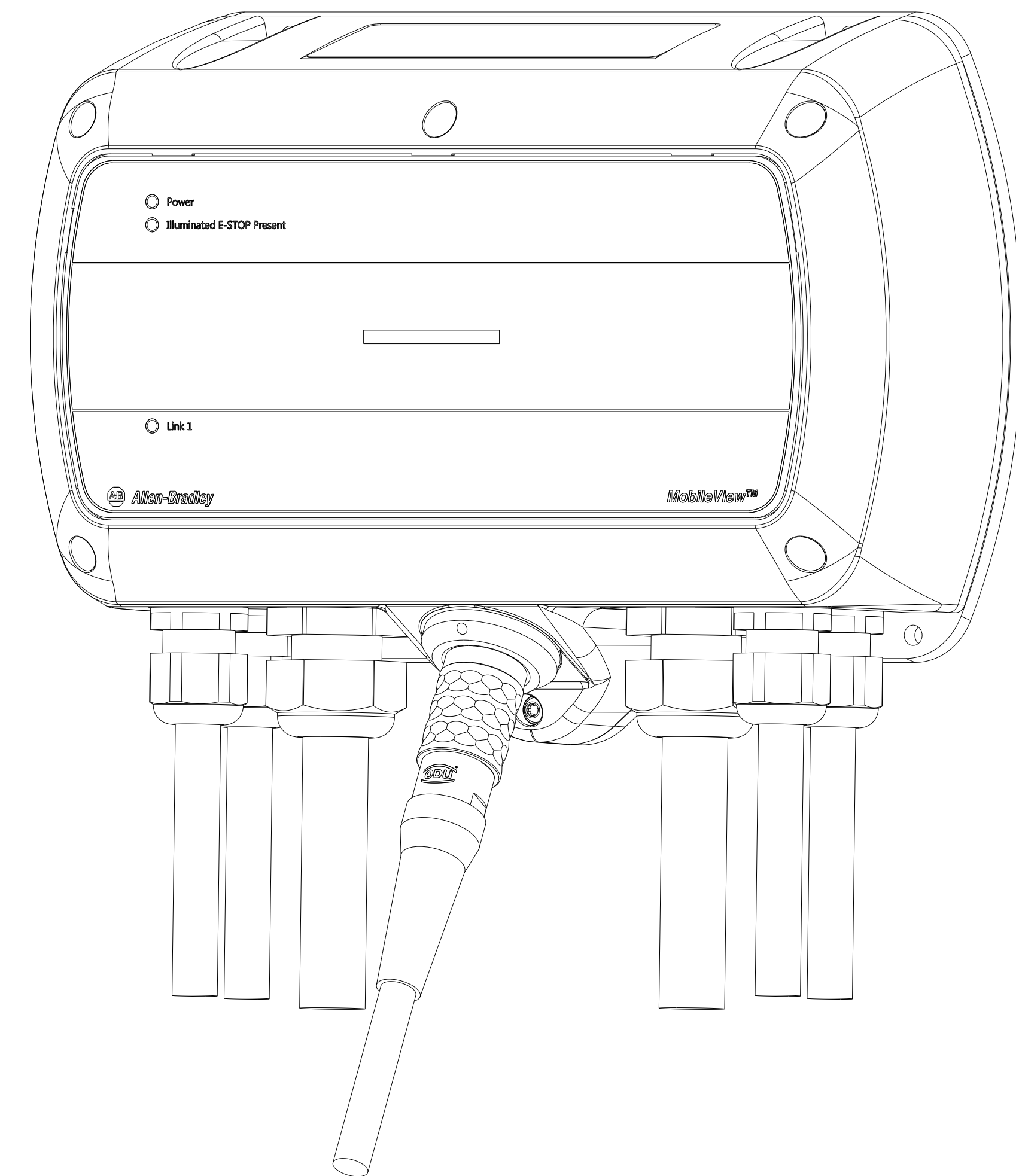
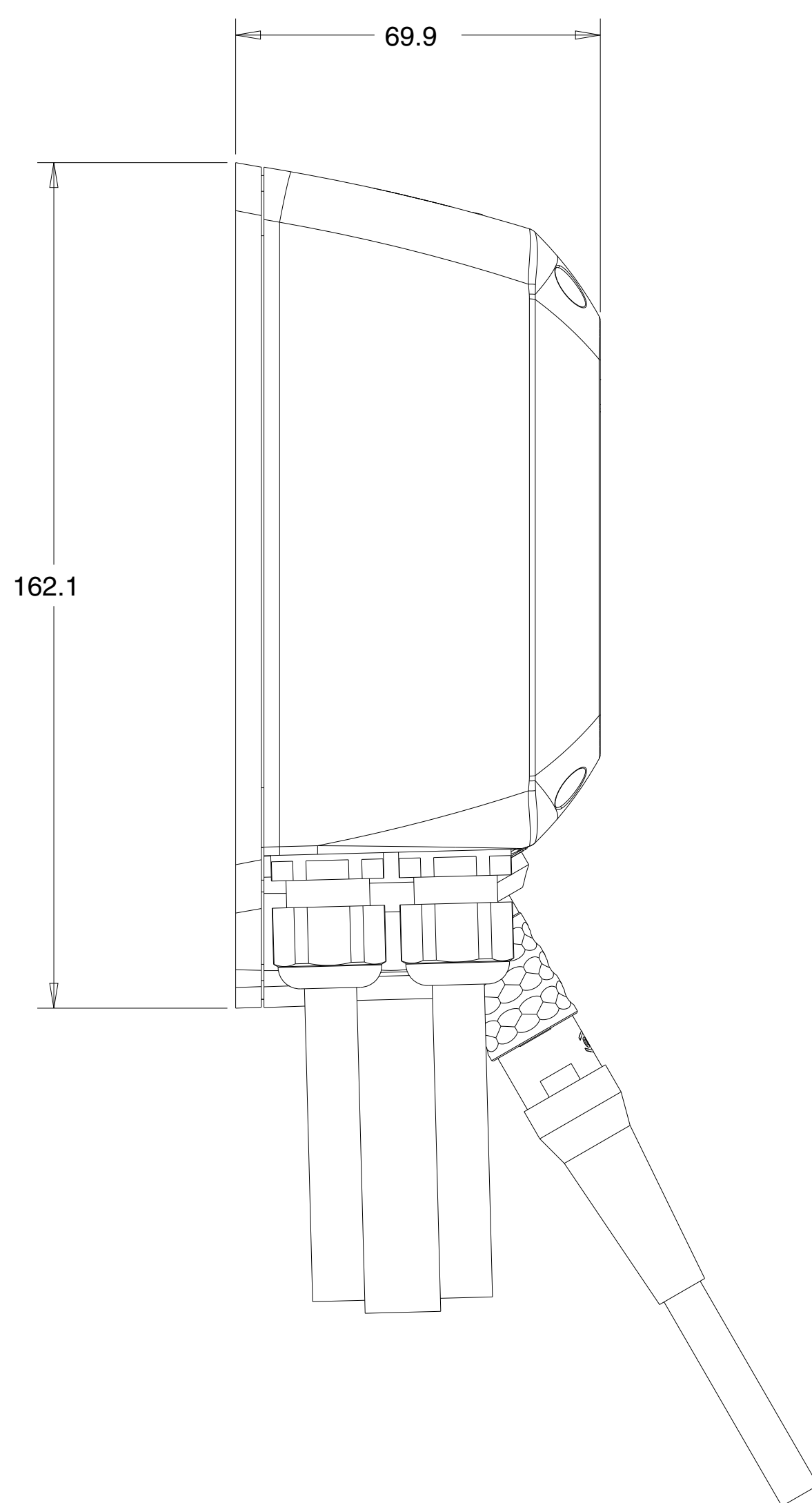
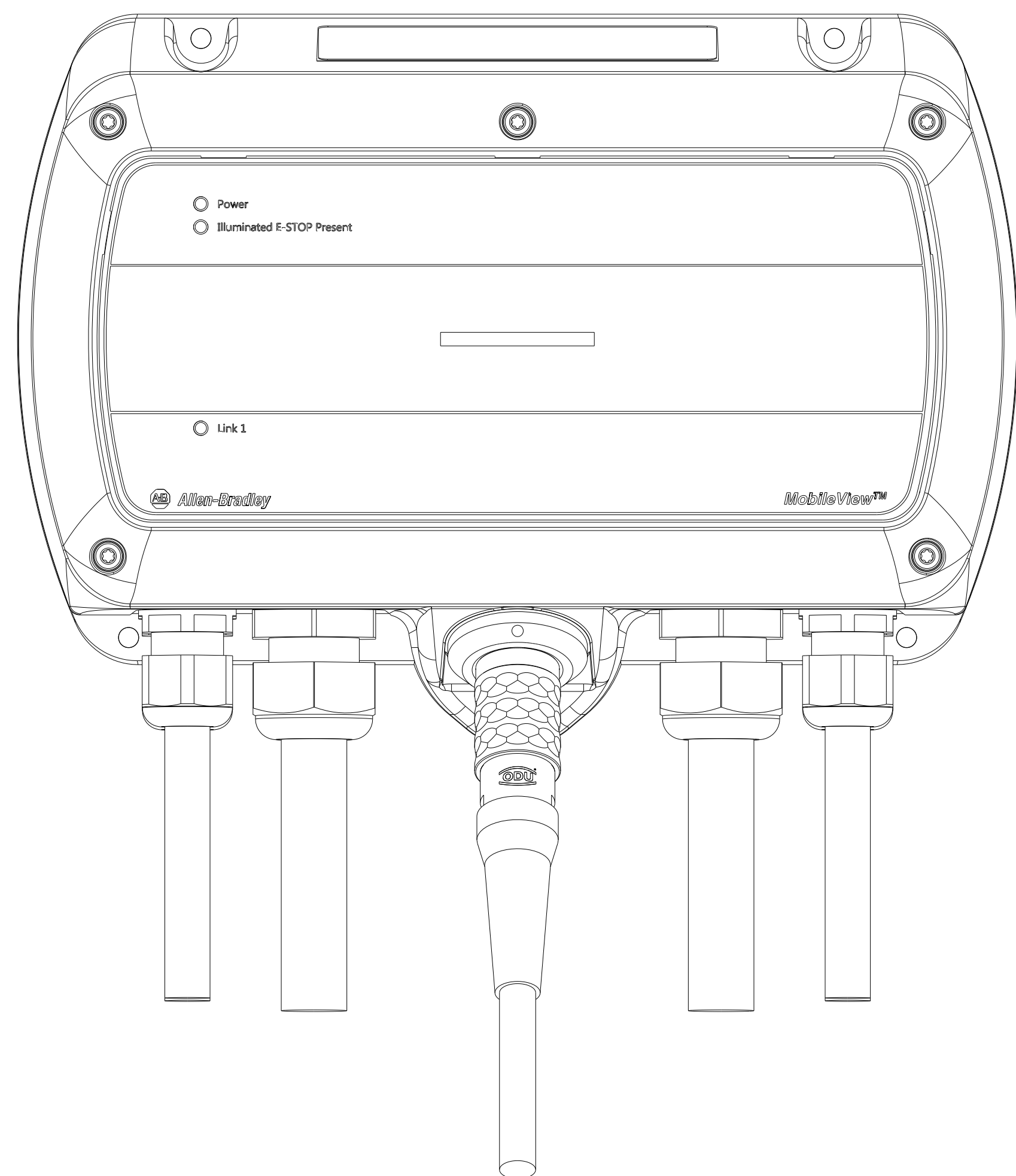
D

E

F

G

H



All missing dimensions see 3D file

		<small>CONFIDENTIAL AND PROPRIETARY INFORMATION. THIS DOCUMENT CONTAINS CONFIDENTIAL AND PROPRIETARY INFORMATION OF ROCKWELL AUTOMATION, INC. AND MAY NOT BE USED, COPIED OR DISCLOSED TO OTHERS, EXCEPT WITH THE AUTHORIZED WRITTEN PERMISSION OF ROCKWELL AUTOMATION, INC.</small>	
		Sheet 1 Of 1	
KeTop CB310 customer model		Size D	Ver 10003487566 00
Drawn by: SSriram2	Date: 10-24-2017		