

Three Phase Power Receptacles, Male and Female

16 & 10 AWG, 1/2 in. NPT Mount

Power Receptacles



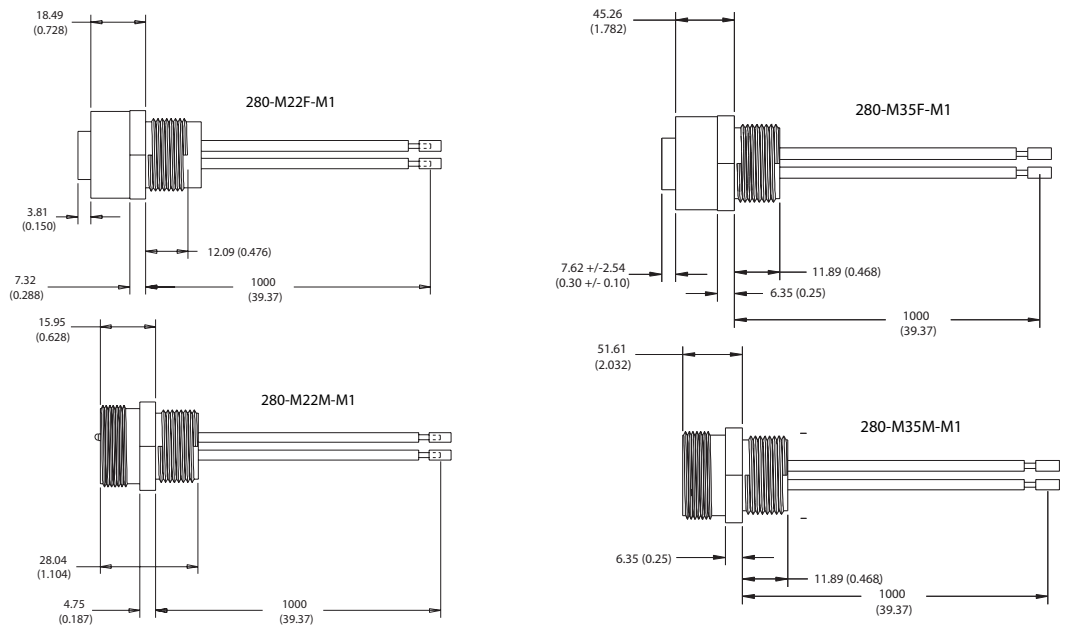
Specifications

Certifications	UL
Standards Compliance	UL 2237
Mechanical	
Insert	Black PVC
Receptacle Shell Material	Black Anodized Aluminum (female) and Zinc DieCast, Black E-Coat (male)
Electrical	
Contacts	Copper Alloy with Gold over Nickel Plating (Trunk), Brass with Gold over Nickel Plating (Drop)
Cable Rating	600V AC/DC
Assembly Rating	4 pin - 16 AWG, 600V @ 10 A 4 pin - 10 AWG, 600V @ 25 A - Symmetrical Amps RMS Fault: 65 kA when used with Class CC, T, or J type fuses
Environmental	
Enclosure Type Rating	IP67, NEMA 4 & 6P; 1200 psi washdown

Features

- Rated for motor branch circuits per UL 2237
- 16 & 10 AWG conductors
- 4-pin configuration
- Female receptacles can be used for panel mount connection
- Male receptacles can be used for quick disconnect motor junction box
- 1/2 in-14 NPT threads

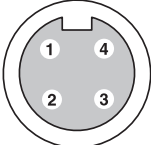
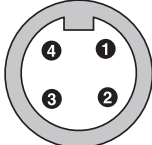


Dimensions—mm (inches)



Dimensions are approximate. Illustrations are not drawn to scale.

ArmorStart Power Media
Three Phase Power Receptacles, Male and Female
 16 & 10 AWG, 1/2 in. NPT Mount

Pinout and Color Code

Assembly Rating	Color Code	Face View Pinout 4-Pin			
		Female	Male	Female	Male
16 AWG 600V 10 A	A				
10 AWG 600V 25 A	B	1 Black 2 Green/Yellow Extended PIN	3 Red 4 White		

Product Selection

Receptacles

Pin Count	Assembly Rating	Color Code	Cat. No.	
			Female	Male
4-Pin	16 AWG 600V 10 A	A	280-M22F-M1	280-M22M-M1
4-Pin	10 AWG 600V 25 A	B	280-M35F-M1	280-M35M-M1