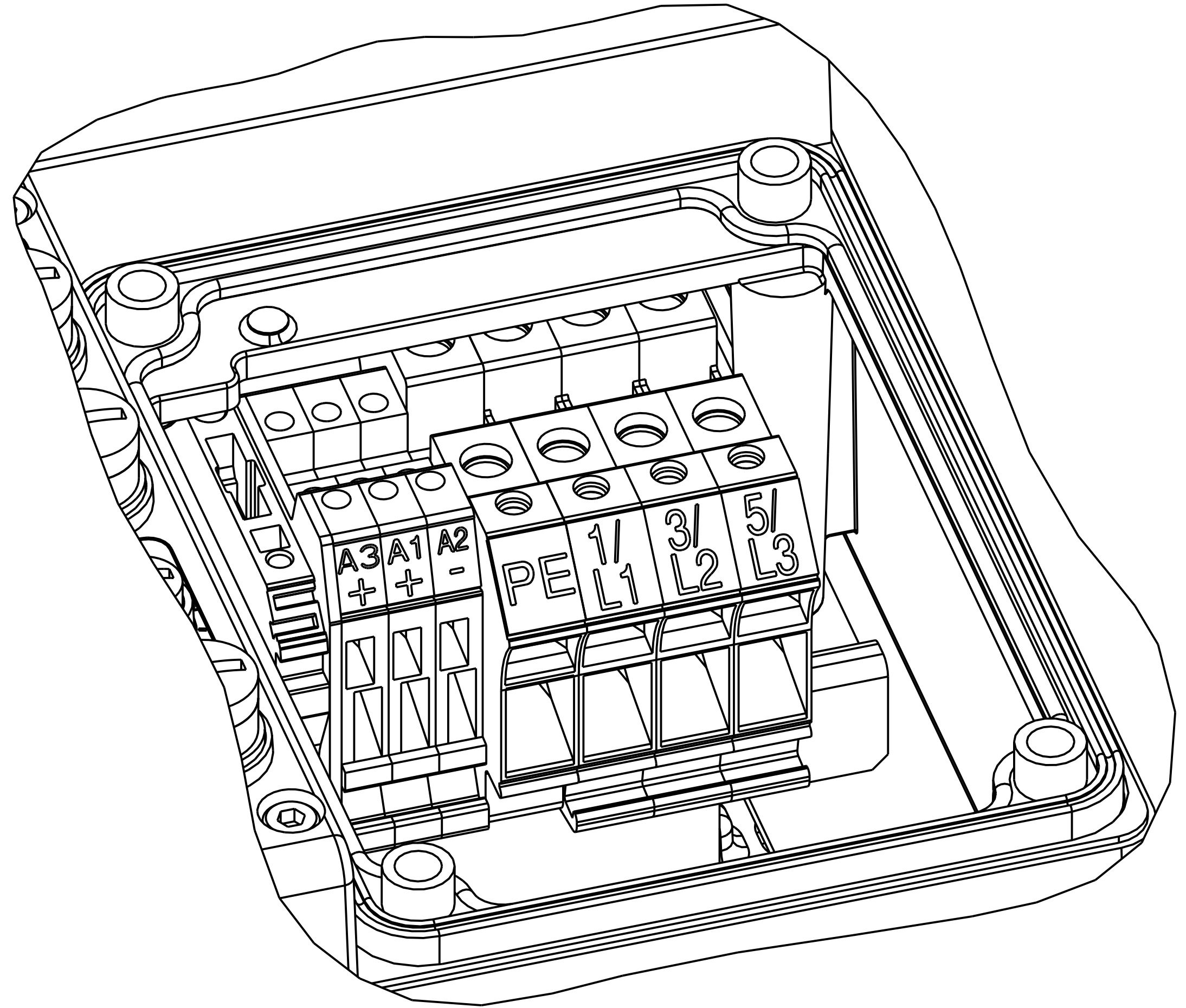


SEE DETAIL A



DETAIL A

