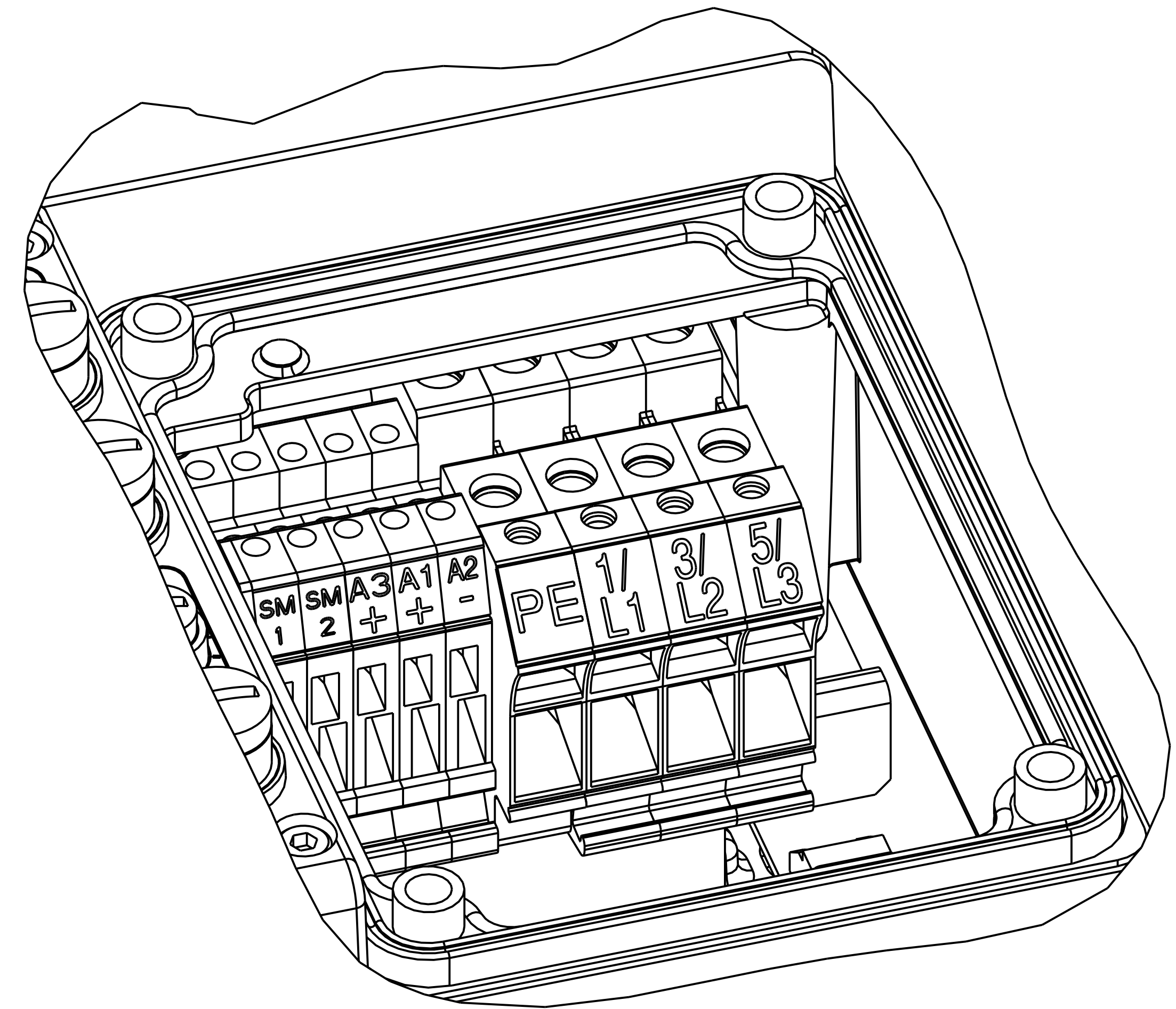


SEE DETAIL A

P



DETAIL A

