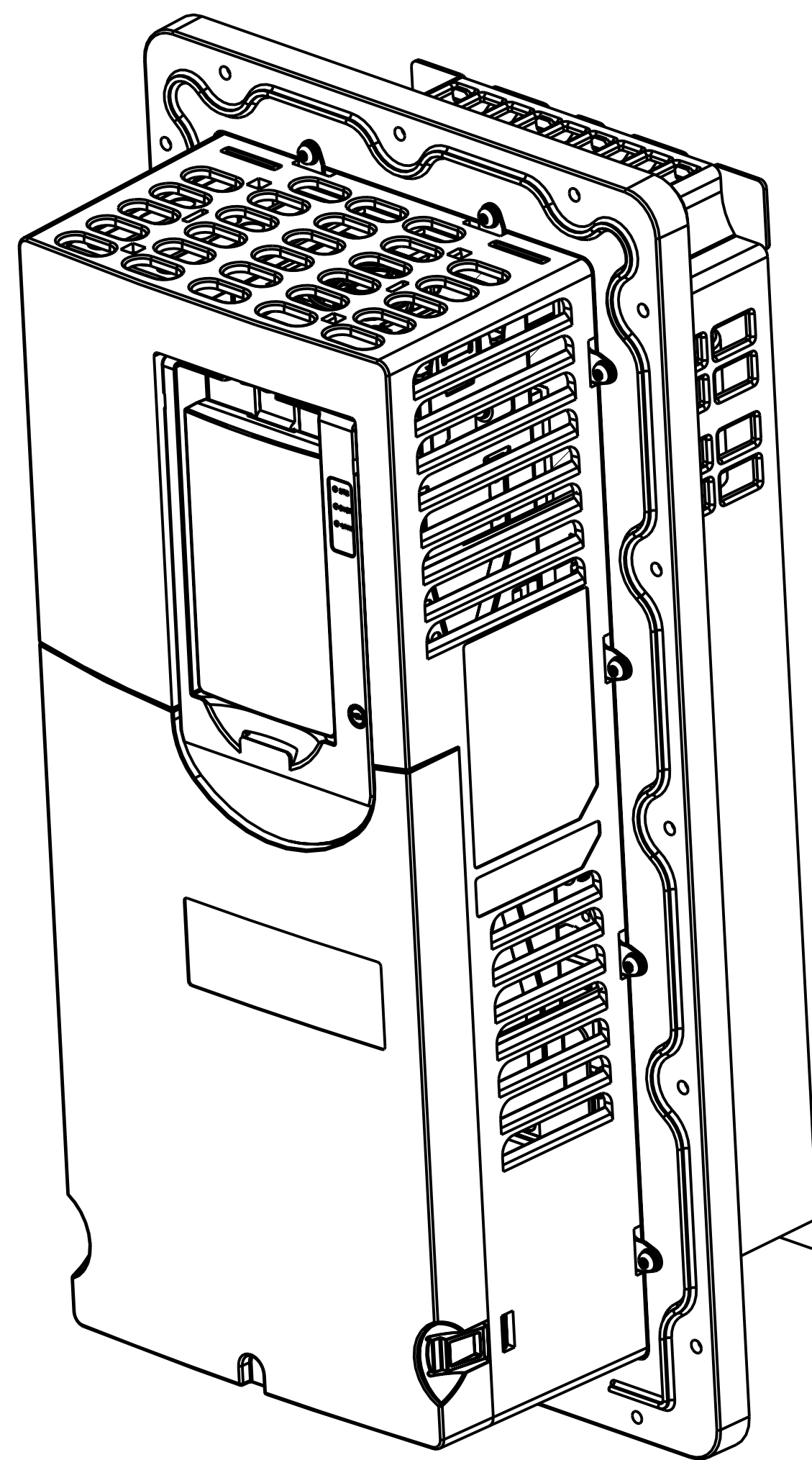
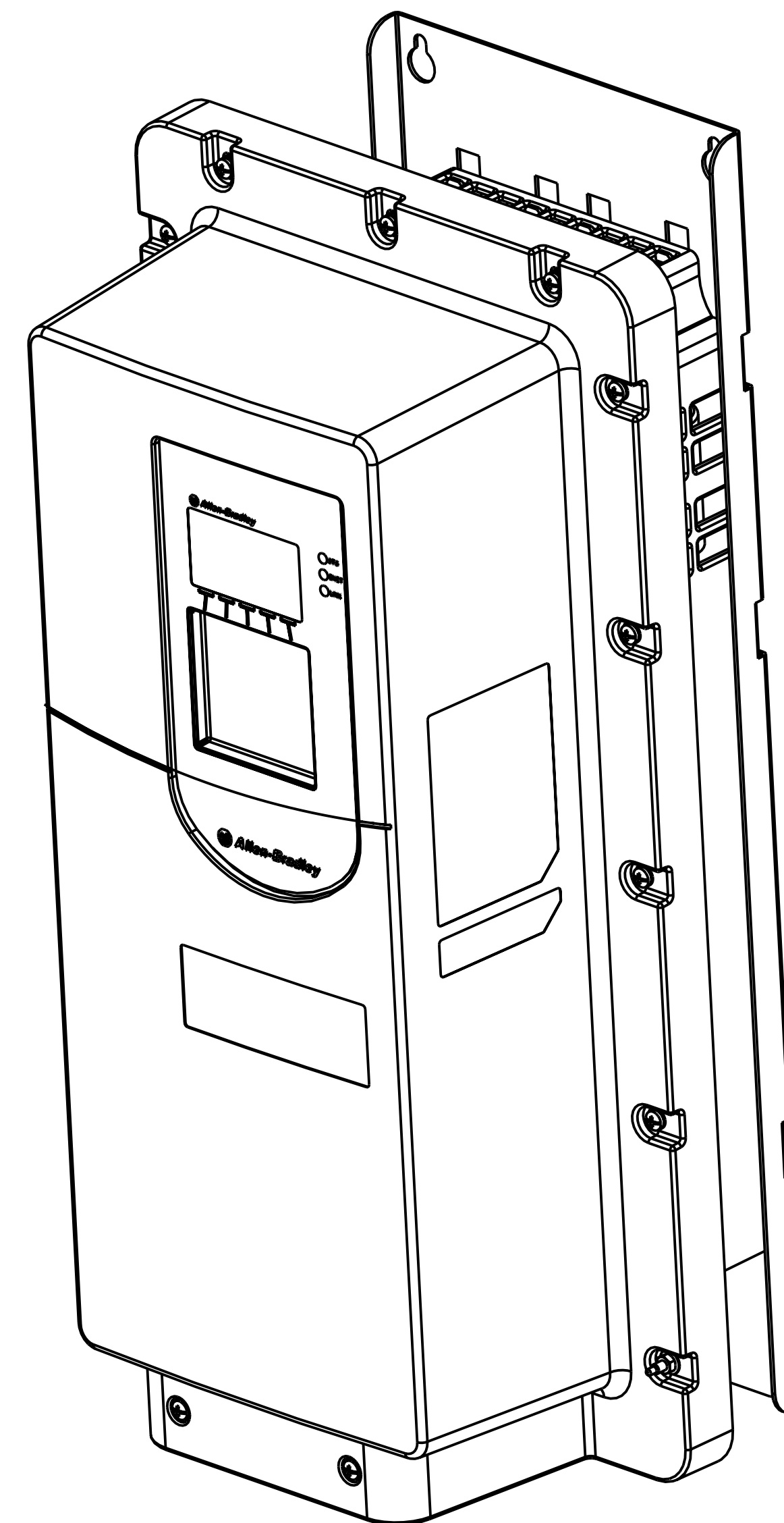


OPEN DRIVE



TYPE 4X, FLANGE DRIVE



TYPE 12 DRIVE

PARTS MUST CONFORM TO APPLICABLE ROCKWELL AUTOMATION MANUFACTURING STANDARDS

CAD DOCUMENT

FILE NAME 357124-6

REFERENCES		DIMENSIONS APPLY BEFORE SURFACE TREATMENT		DIMENSIONS IN MILLIMETERS		TOLERANCES UNLESS OTHERWISE SPECIFIED		OUTLINE FRAME 3 POWERFLEX 750 SERIES		CONFIDENTIAL AND PROPRIETARY INFORMATION	
REVISION AUTHORIZATION		.X:± N/A		.XX:± N/A		ANGLES:± N/A		DR. P. GROSSKREUZ DATE 10-15-07		THIS DOCUMENT CONTAINS CONFIDENTIAL AND PROPRIETARY INFORMATION OF ROCKWELL AUTOMATION, INC. AND MAY NOT BE USED, COPIED OR DISCLOSED TO OTHERS, EXCEPT WITH THE AUTHORIZED WRITTEN PERMISSION OF ROCKWELL AUTOMATION, INC.	
02	1031960	.XX:± N/A		P.J.G 033108		CHKD. P. GROSSKREUZ DATE 10-15-07		APPD. J. BRUBAKER DATE 10-15-07		SHEET 1 OF 4	
01	1026721	P.J.G 033108								DWG. SIZE D 357124-6	

1

2

3

4

5

6

7

8

A

B

C

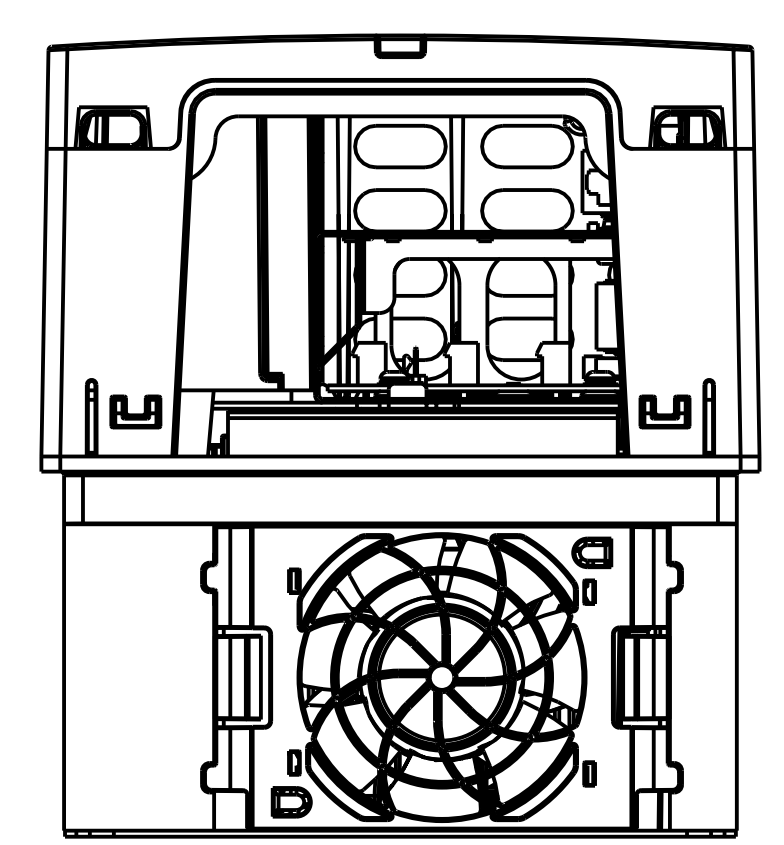
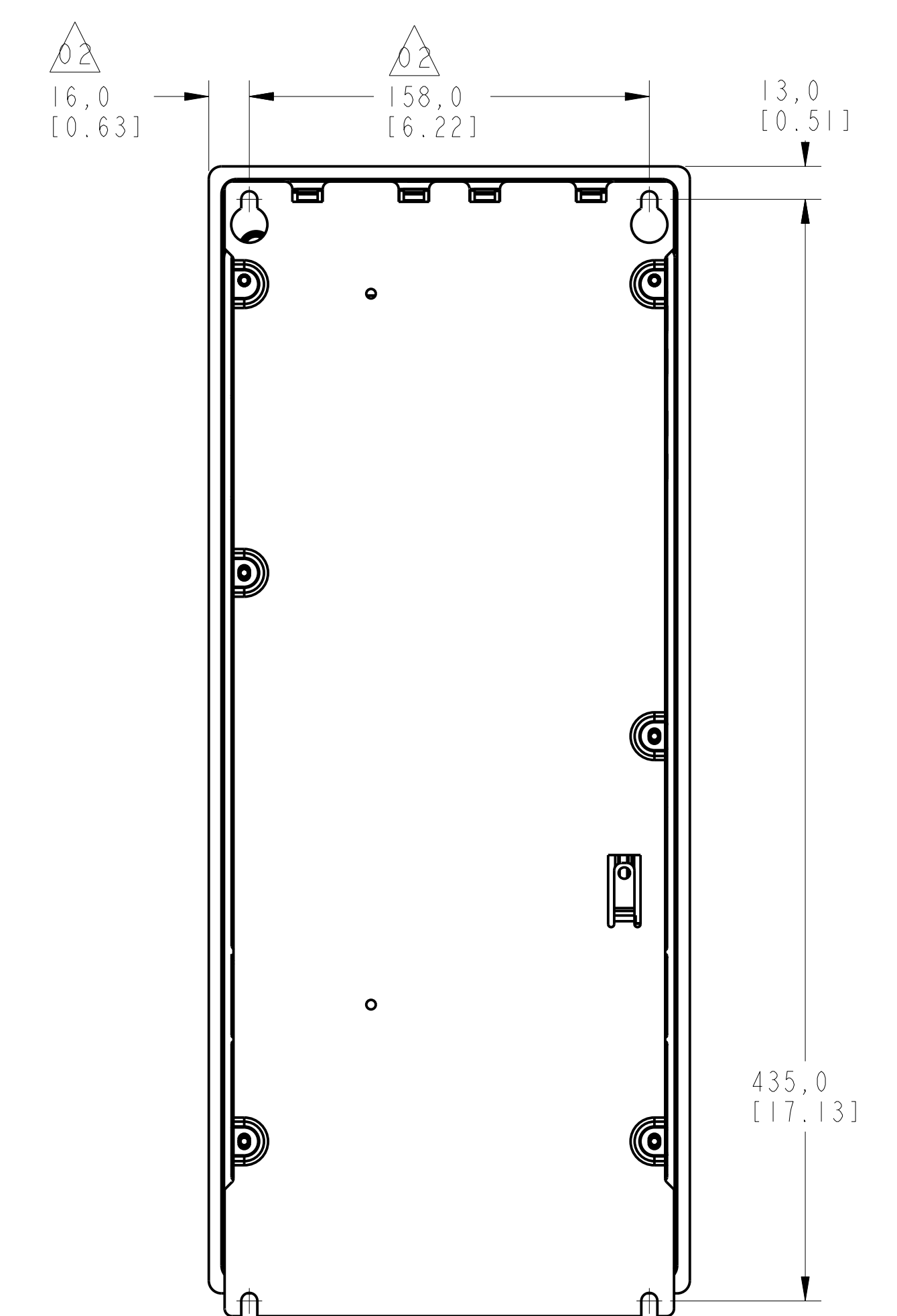
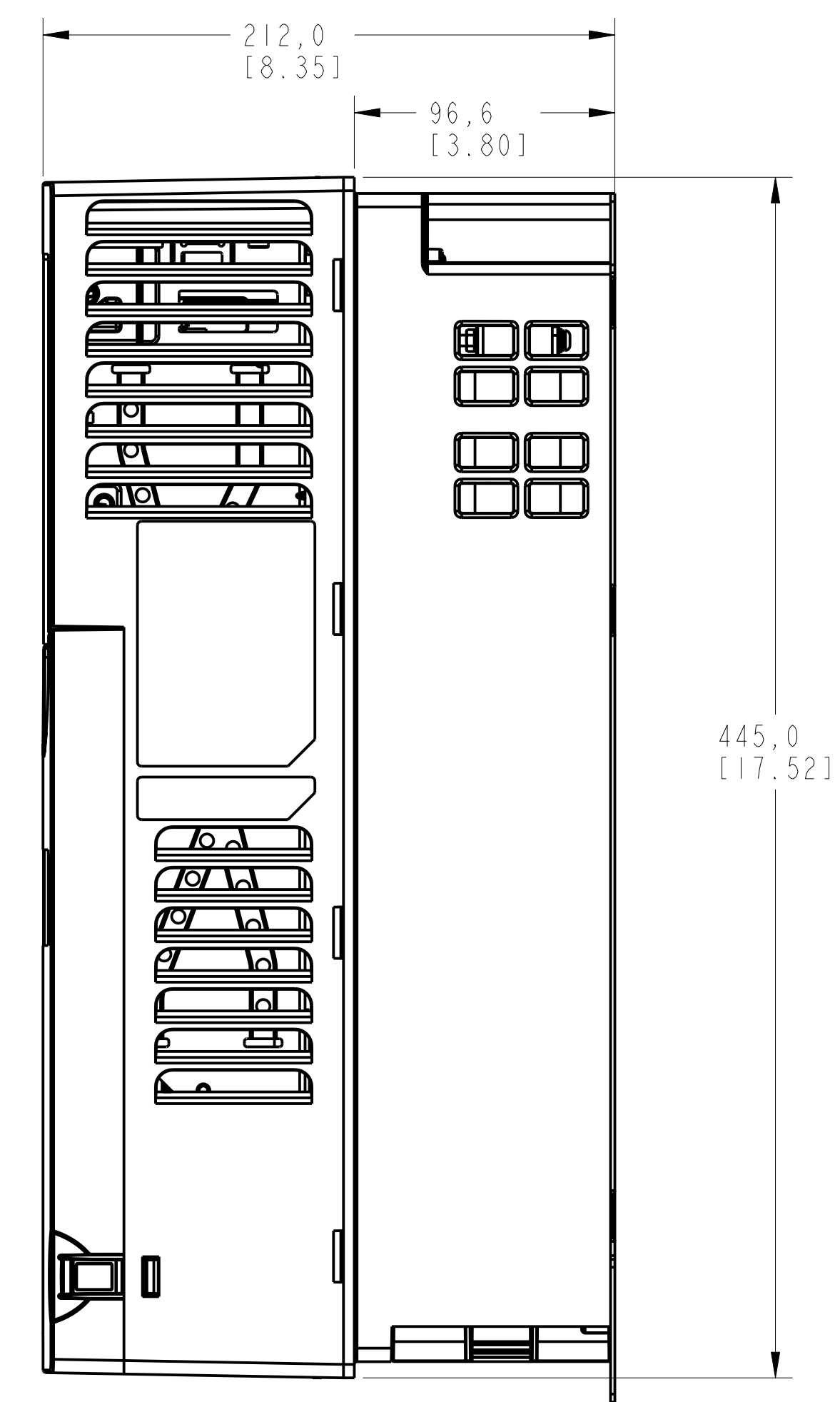
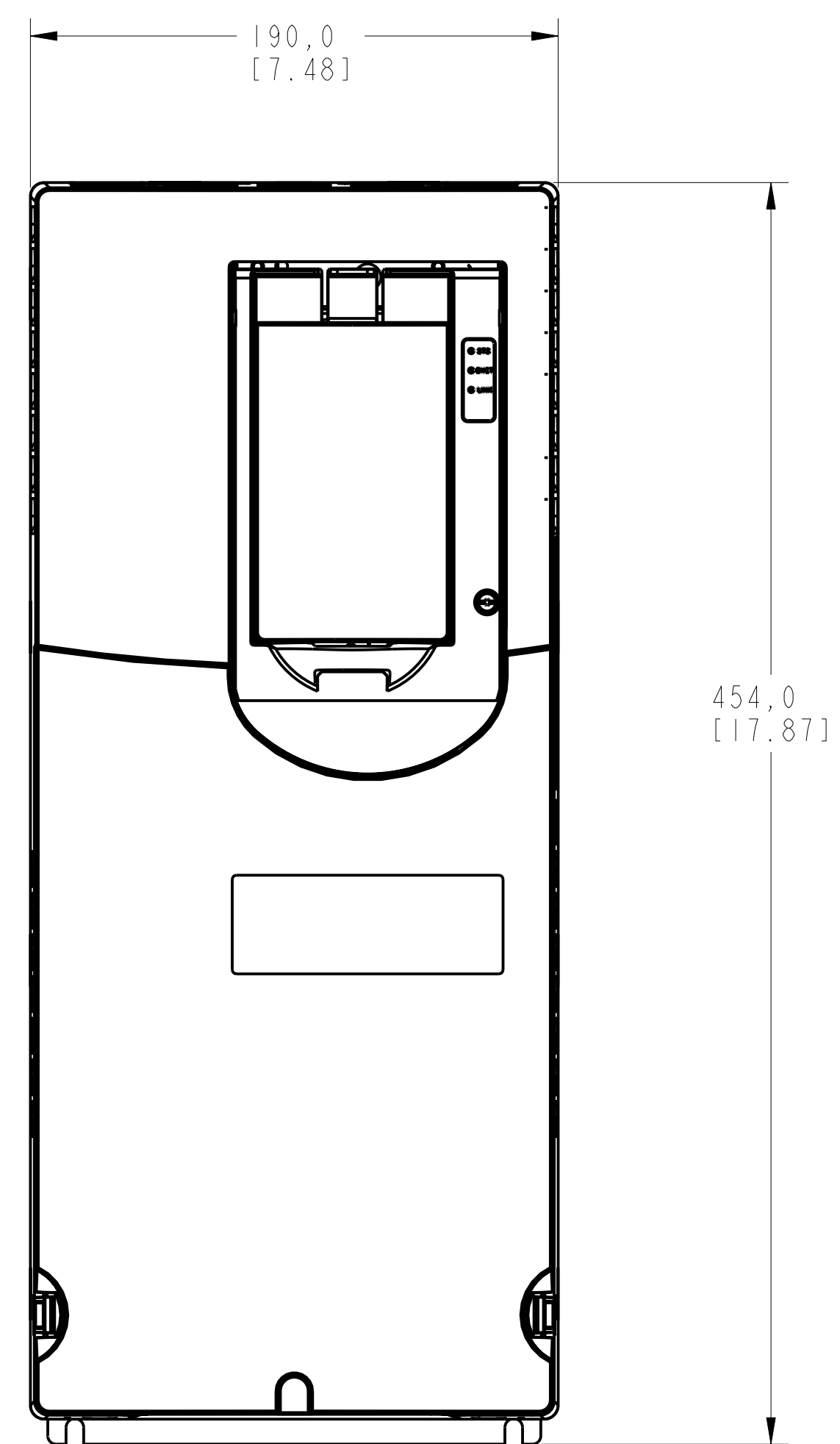
D

E

F

G

H



OPEN DRIVE

PARTS MUST CONFORM TO APPLICABLE ROCKWELL AUTOMATION MANUFACTURING STANDARDS

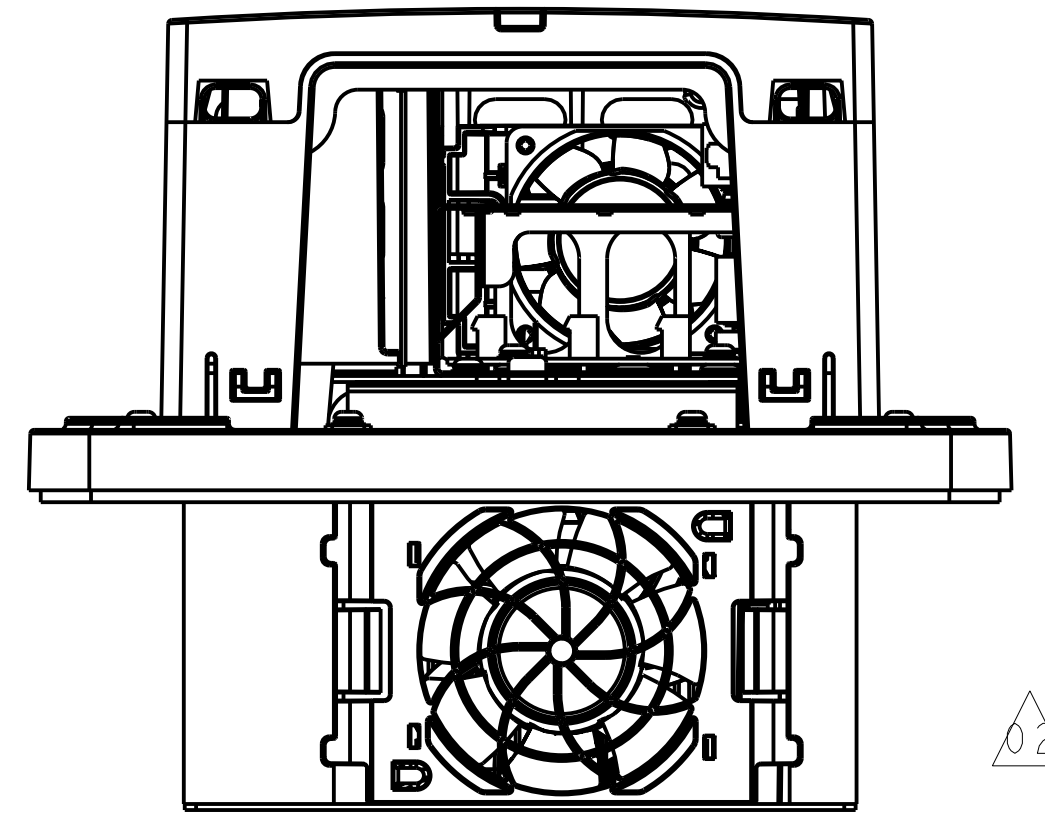
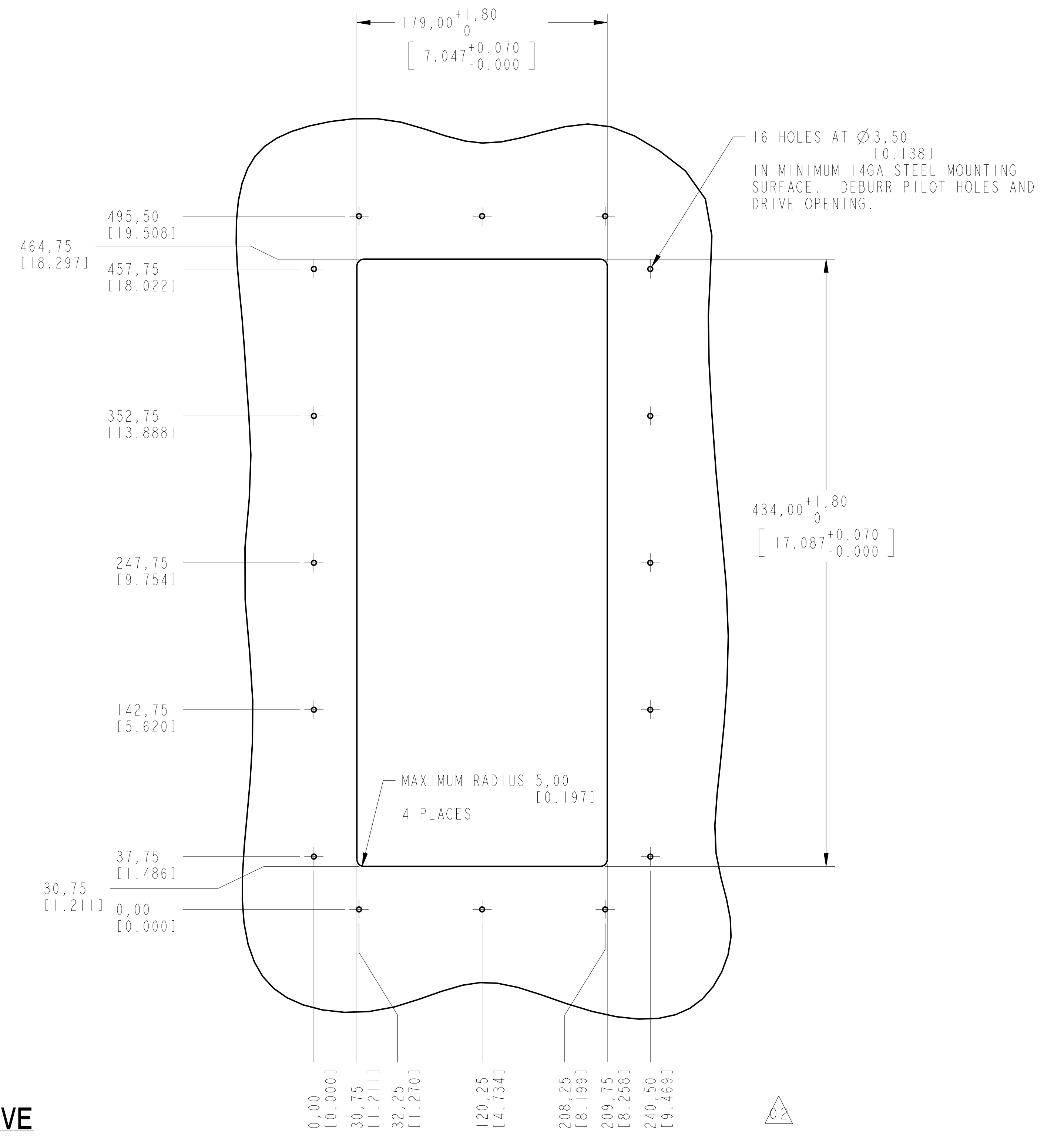
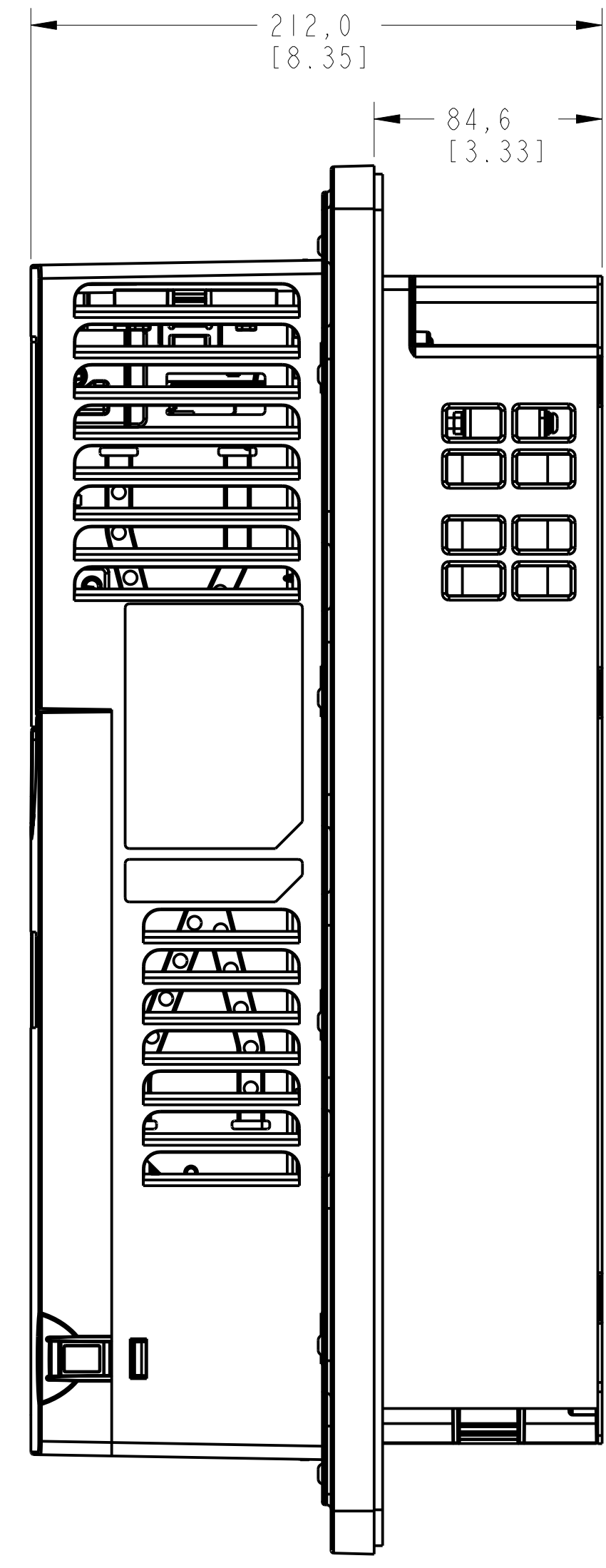
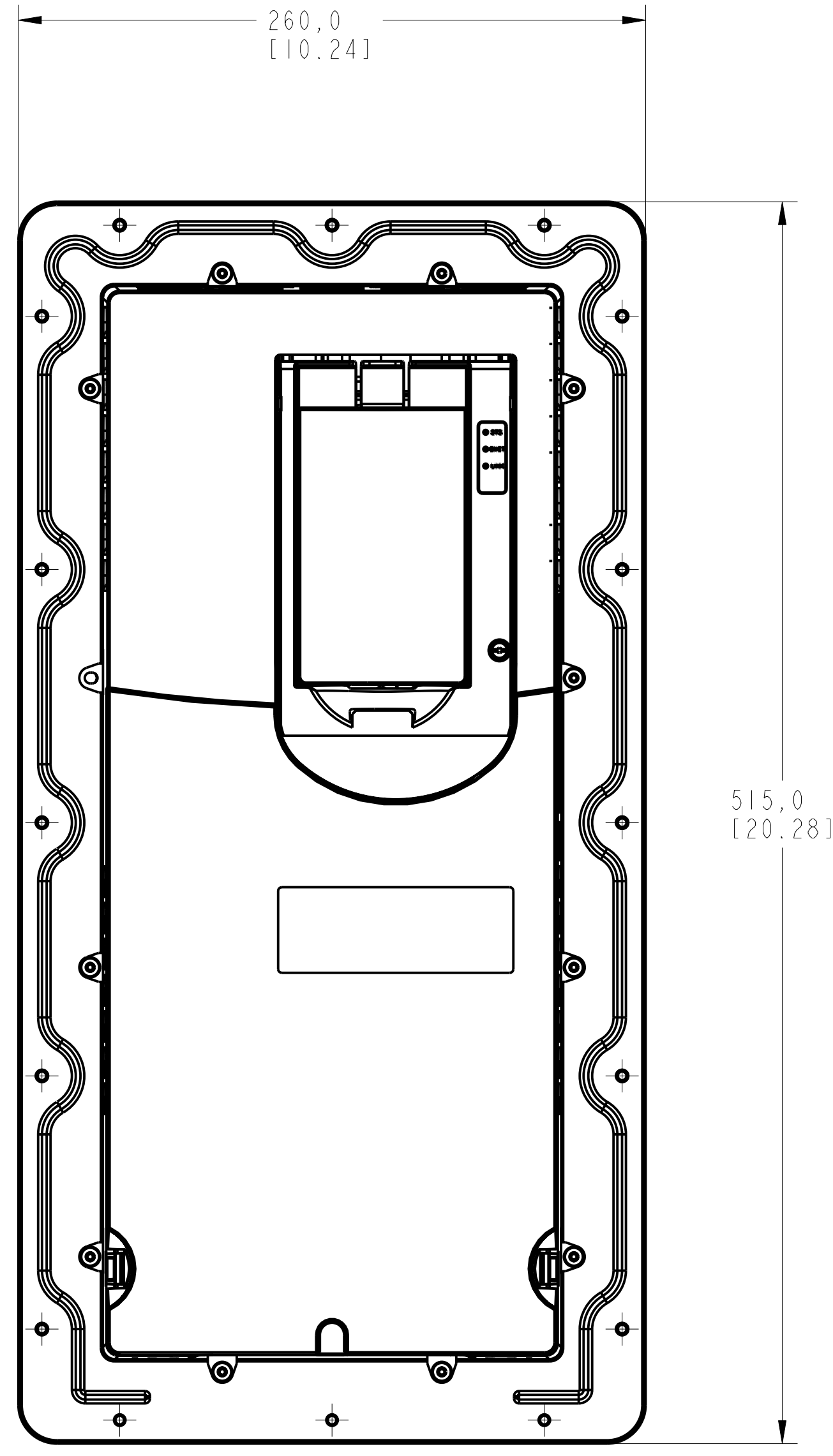
**CAD DOCUMENT**

FILE NAME 357124-6

REFERENCES		DIMENSIONS APPLY BEFORE SURFACE TREATMENT		OUTLINE		CONFIDENTIAL AND PROPRIETARY INFORMATION THIS DOCUMENT CONTAINS CONFIDENTIAL AND PROPRIETARY INFORMATION OF ROCKWELL AUTOMATION, INC. AND MAY NOT BE USED, COPIED OR DISCLOSED TO OTHERS, EXCEPT WITH THE AUTHORIZED WRITTEN PERMISSION OF ROCKWELL AUTOMATION, INC.
REVISION	AUTHORIZATION	DIMENSIONS IN MILLIMETERS		FRAME 3	POWERFLEX 750 SERIES	
		TOLERANCES UNLESS OTHERWISE SPECIFIED		<b>Rockwell Automation</b>		SHEET 2 OF 4
		.X:± N/A				
02	1031960	.XX:± N/A		DR. P.GROSSKREUZ	DATE 10-15-07	DWG. SIZE D
01	1026721	ANGLES:± N/A		CHKD. P.GROSSKREUZ	DATE 10-15-07	
		P.J. 033108		APPD. J.BRUBAKER	DATE 10-15-07	357124-6

1 2 3 4 5 6 7 8

A  
B  
C  
D  
E  
F  
G  
H



TYPE 4X, FLANGE DRIVE

# FLANGE MOUNT DRIVE PANEL CUTOUT

NOTE:  
4.1. MOUNTING HARDWARE SHIPPED WITH FLANGE MOUNT DRIVE.

PARTS MUST CONFORM TO APPLICABLE ROCKWELL AUTOMATION MANUFACTURING STANDARDS

**CAD DOCUMENT**

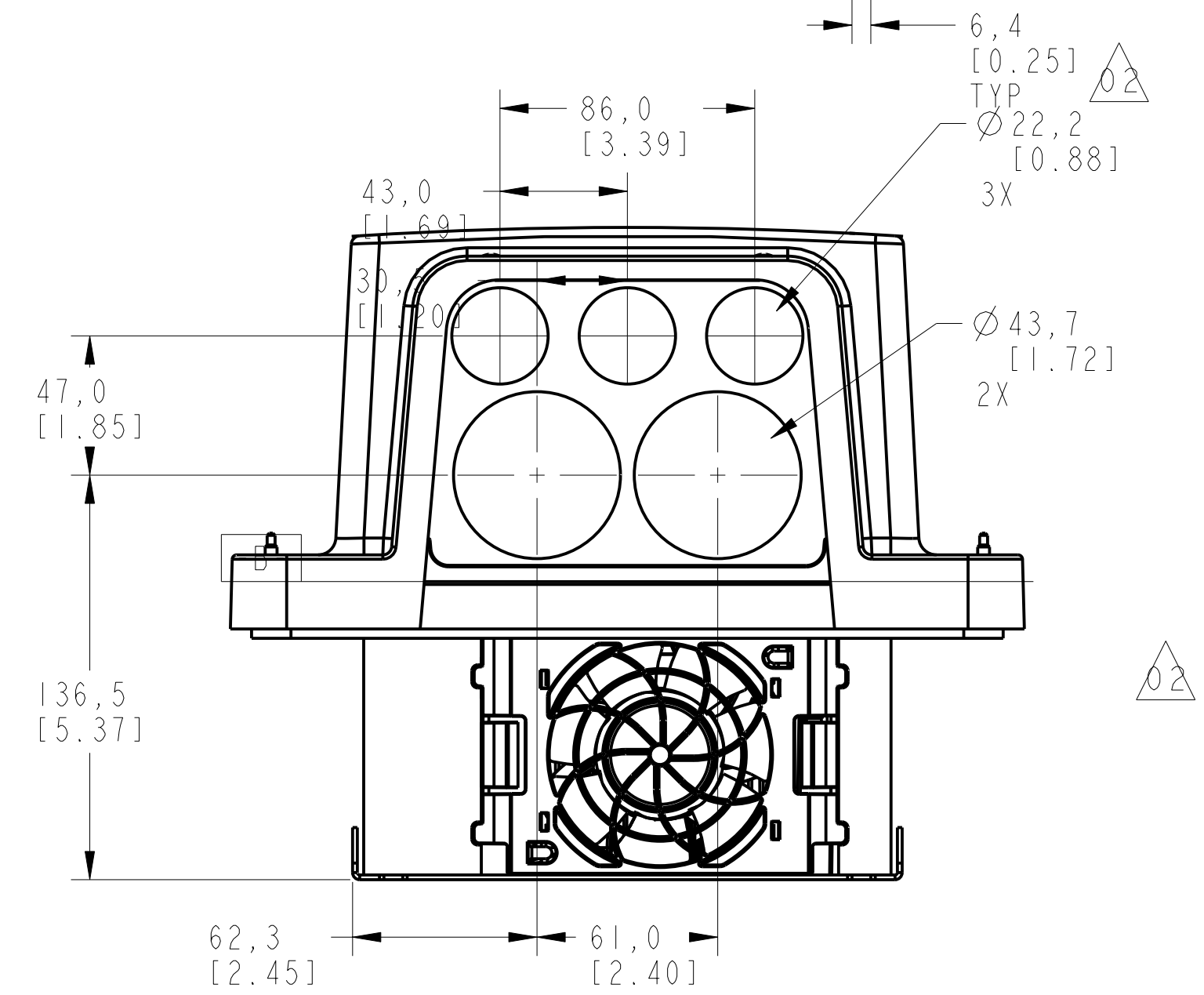
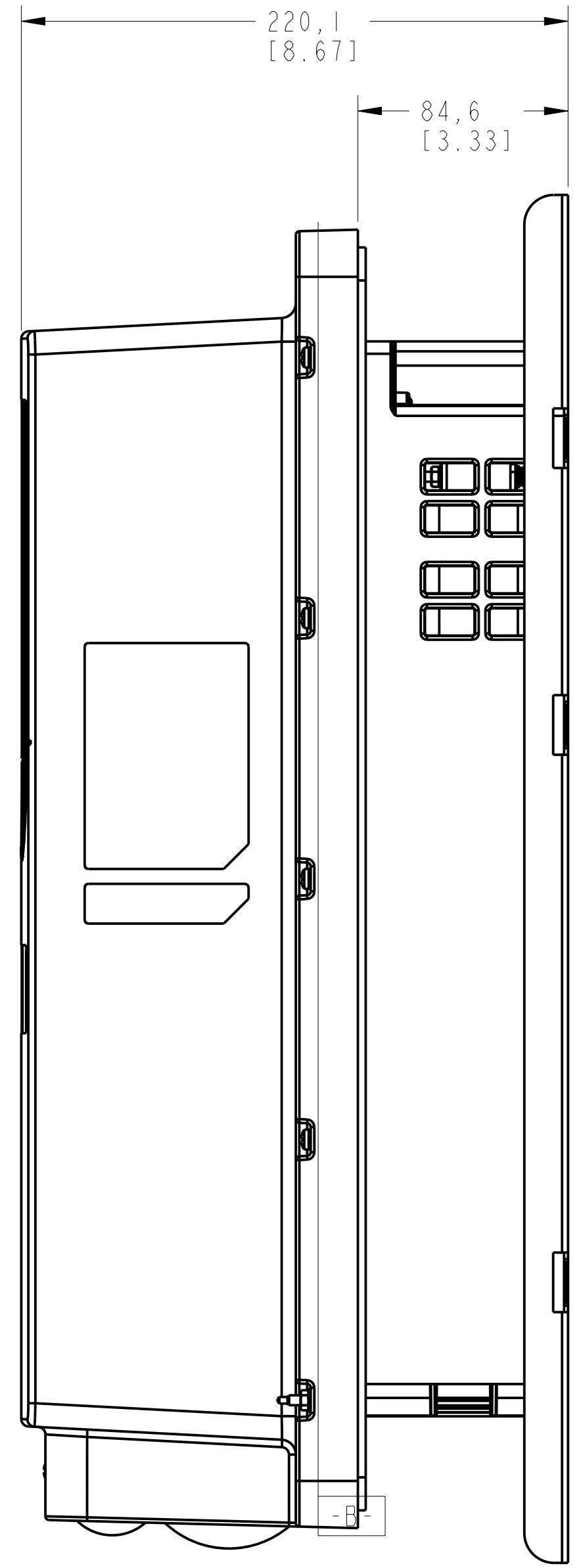
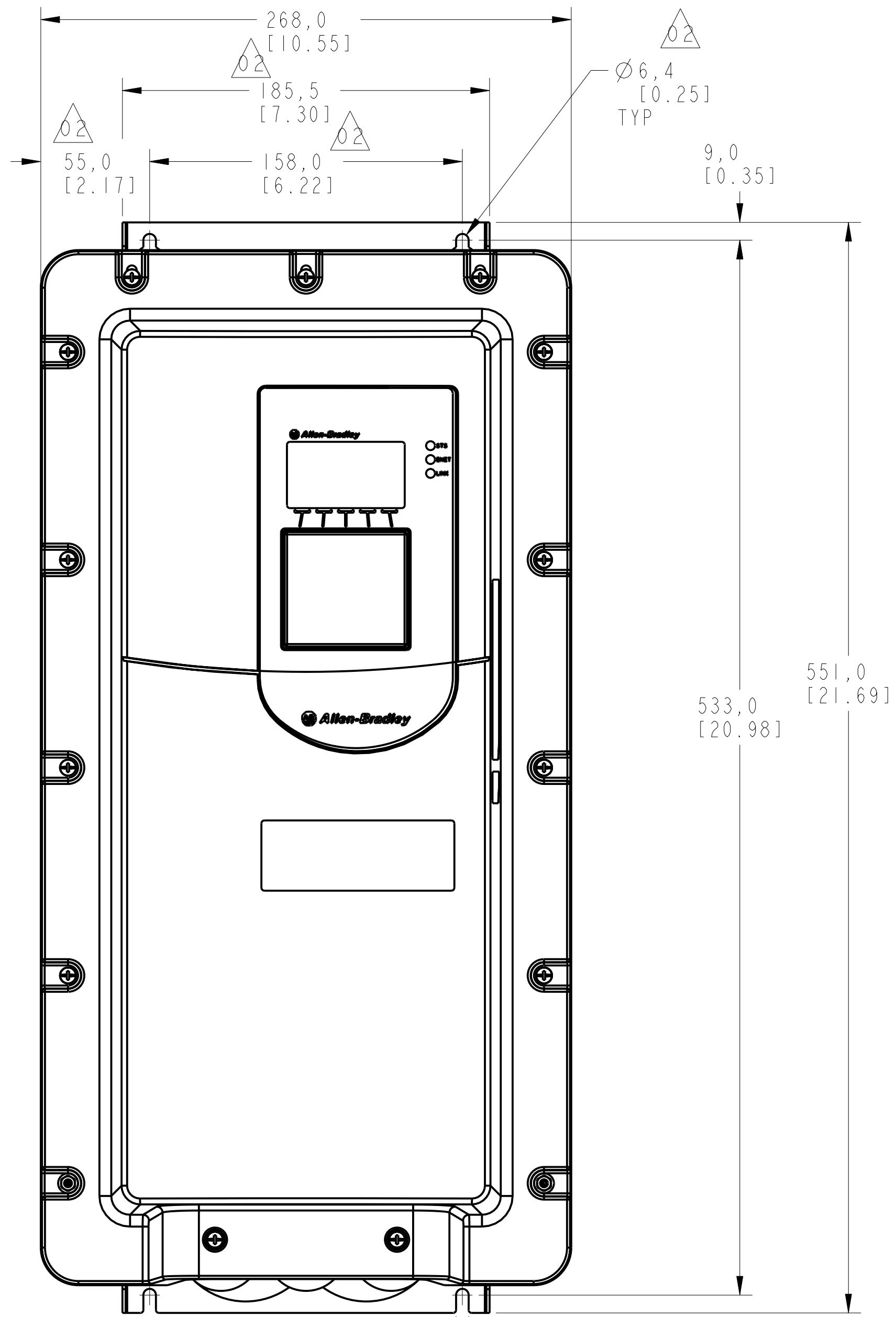
FILE NAME: 357124-6

REFERENCES		OUTLINE		CONFIDENTIAL AND PROPRIETARY INFORMATION THIS DOCUMENT CONTAINS CONFIDENTIAL AND PROPRIETARY INFORMATION OF ROCKWELL AUTOMATION, INC. AND MAY NOT BE USED, COPIED OR DISCLOSED TO OTHERS, EXCEPT WITH THE AUTHORIZED WRITTEN PERMISSION OF ROCKWELL AUTOMATION, INC.
REVISION	AUTHORIZATION	DIMENSIONS APPLY BEFORE SURFACE TREATMENT	DIMENSIONS IN MILLIMETERS	
02	1031960	ANGLES: ± N/A	TOLERANCES UNLESS OTHERWISE SPECIFIED	DR. P. GROSSKREUZ DATE 10-15-07 CHKD. P. GROSSKREUZ DATE 10-15-07 APPD. J. BRUBAKER DATE 10-15-07
01	1026721	PJG 033108	.X: ± N/A .XX: ± N/A	
SHEET 3 OF 4		Dwg. Size D		

357124-6

1 2 3 4 5 6 7 8

A  
B  
C  
D  
E  
F  
G  
H



TYPE 12 DRIVE

PARTS MUST CONFORM TO APPLICABLE ROCKWELL AUTOMATION MANUFACTURING STANDARDS  
CAD DOCUMENT  
FILE NAME 357124-6

REFERENCES		OUTLINE		CONFIDENTIAL AND PROPRIETARY INFORMATION THIS DOCUMENT CONTAINS CONFIDENTIAL AND PROPRIETARY INFORMATION OF ROCKWELL AUTOMATION, INC. AND MAY NOT BE USED, COPIED OR DISCLOSED TO OTHERS, EXCEPT WITH THE AUTHORIZED WRITTEN PERMISSION OF ROCKWELL AUTOMATION, INC.
REVISION	DIMENSIONS APPLY BEFORE SURFACE TREATMENT	FRAME 3		
AUTHORIZATION	DIMENSIONS IN MILLIMETERS	POWERFLEX 750 SERIES		
	TOLERANCES UNLESS OTHERWISE SPECIFIED	<b>Rockwell Automation</b>		
	.X:± N/A	DR. P.GROSSKREUZ DATE 10-15-07	SHEET 4 OF 4	
02	ANGLES:± N/A	CHKD. P.GROSSKREUZ DATE 10-15-07	DWG. SIZE	357124-6
01	PJG 033108	APPD. J.BRUBAKER DATE 10-15-07	D	