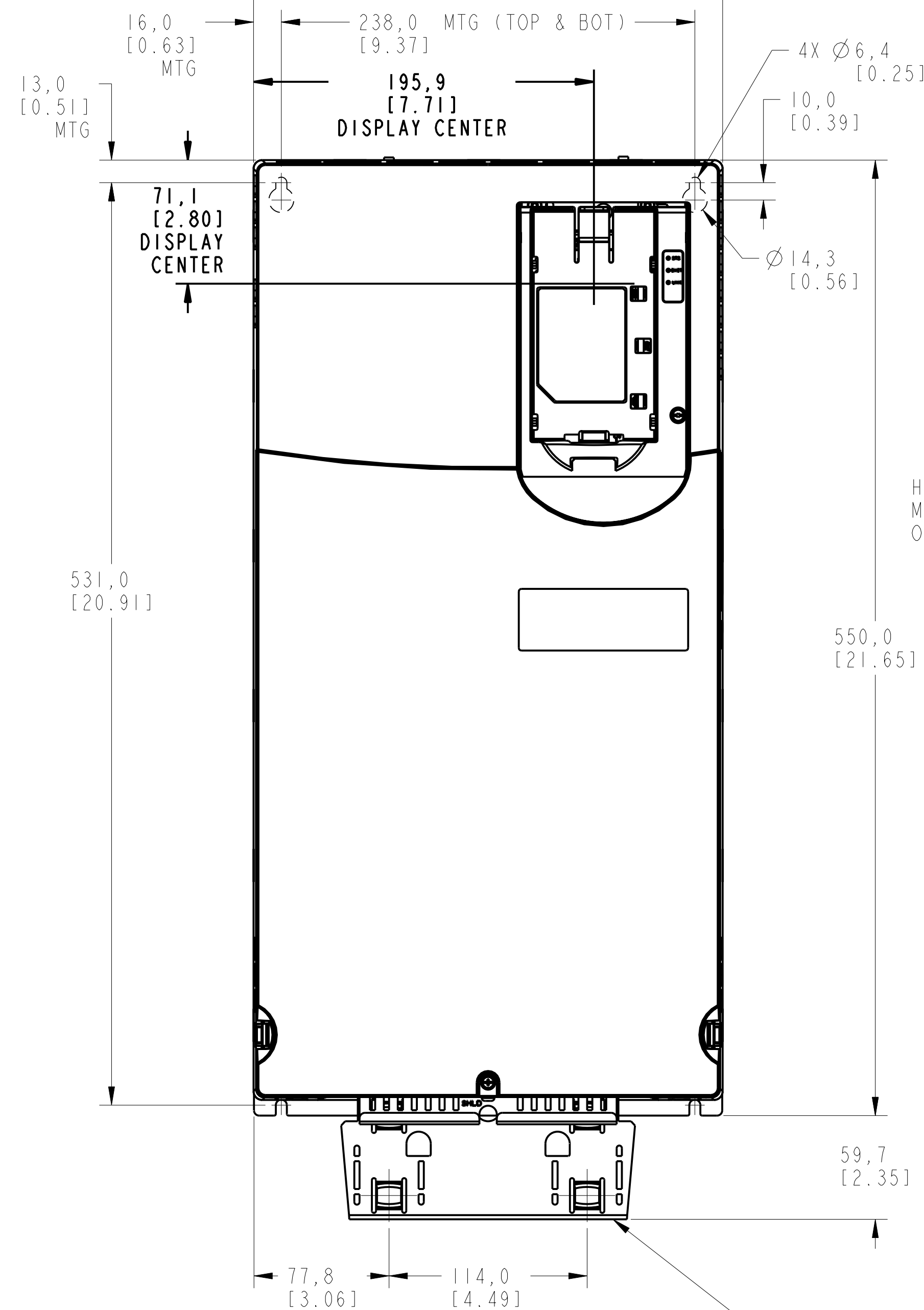
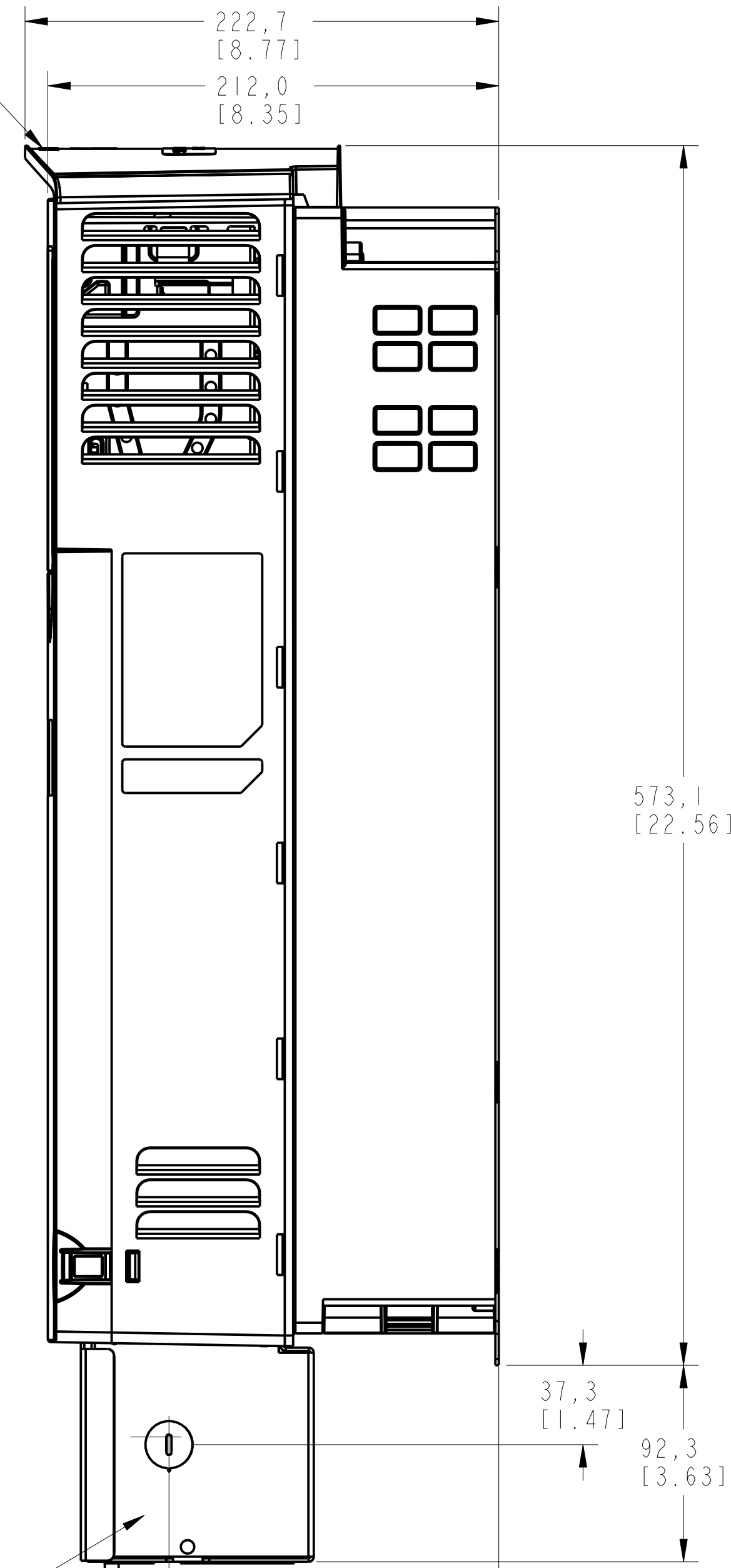


UL TYPE I  
DRIP HOOD  
OPTIONAL



HUMAN INTERFACE  
MODULE (HIM)  
OPTIONAL

STIRRING FAN

CONTROL BOARD

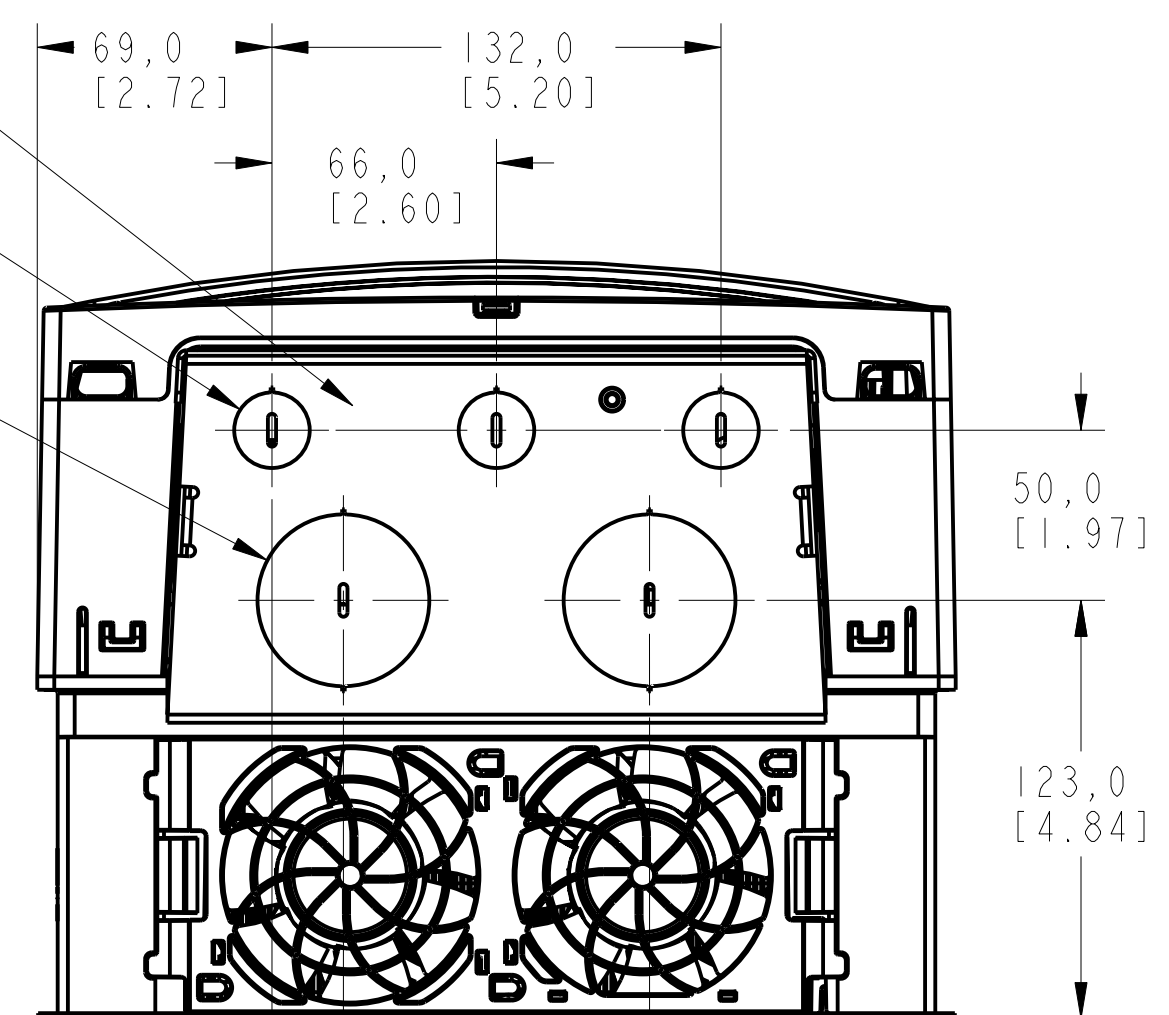
POWER TERMINAL  
BLOCK

OPEN DRIVE  
LOWER COVER AND HIM BEZEL  
REMOVED

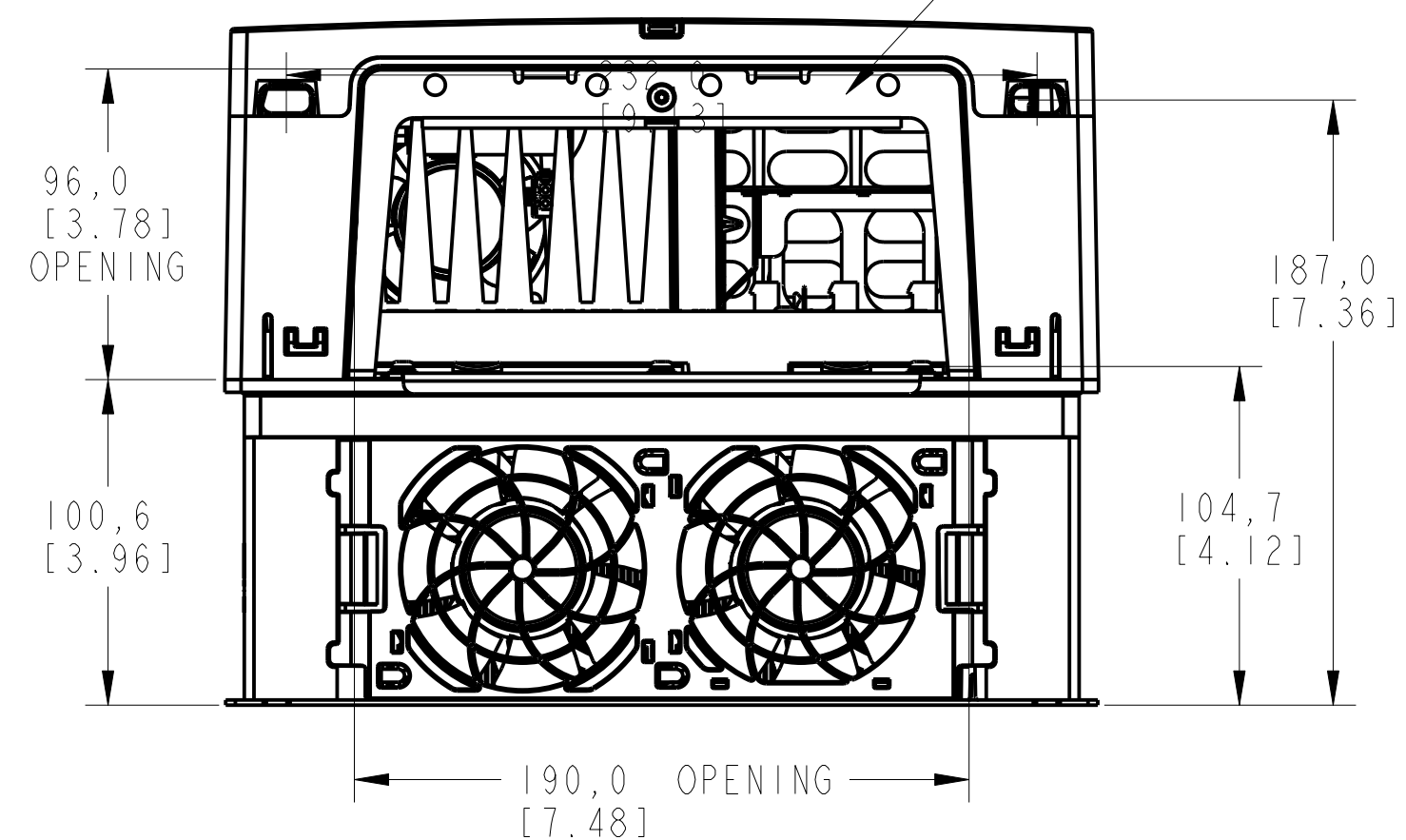
TYPE I  
JUNCTION BOX  
OPTIONAL

5X Ø22,2 KNOCKOUT  
[0.87]

2X Ø50,5 KNOCKOUT  
[1.99]



EMC PLATE  
OPTIONAL



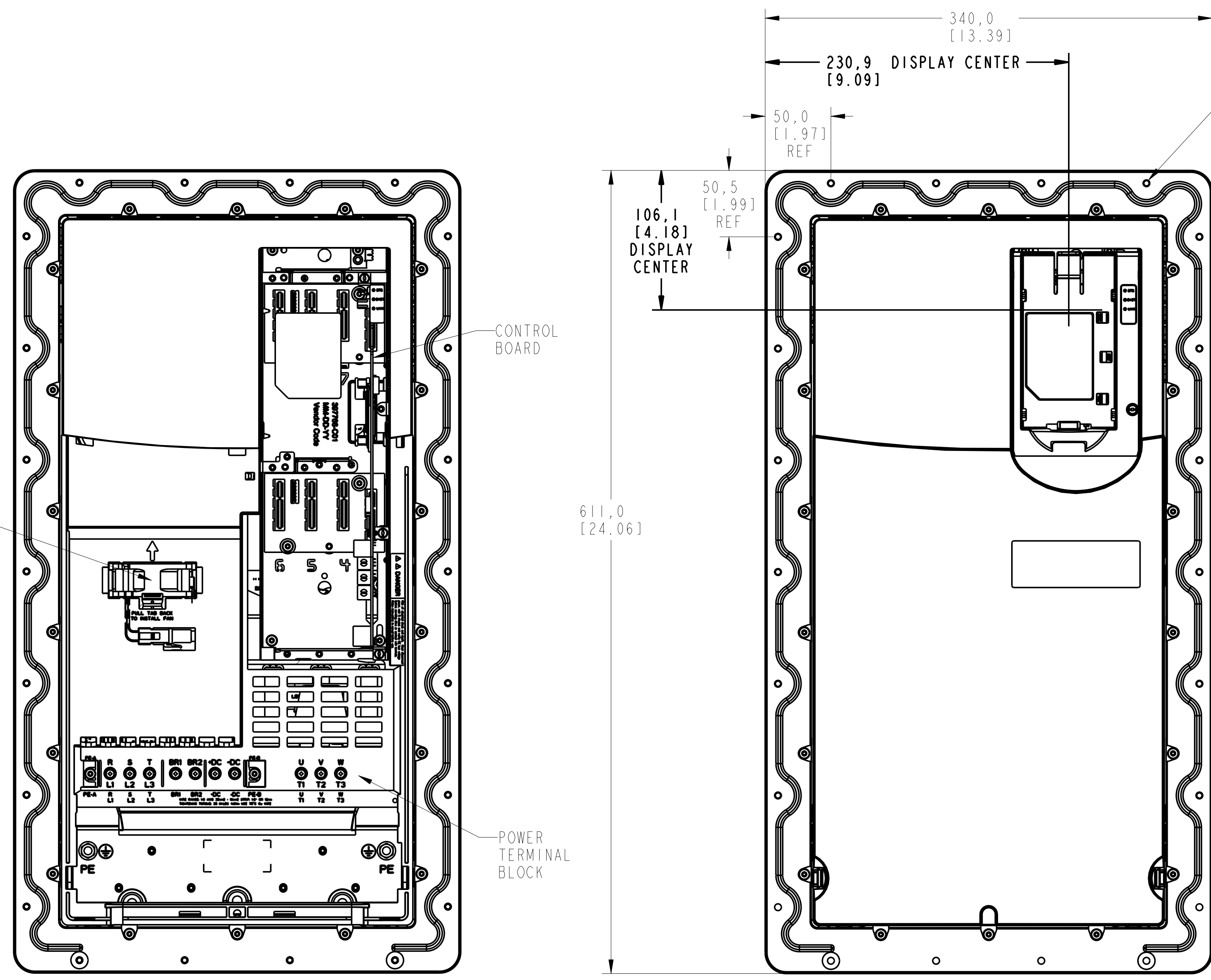
OPEN AND TYPE 1  
DRIVE DIMENSIONS

PARTS MUST CONFORM TO  
APPLICABLE ROCKWELL AUTOMATION  
MANUFACTURING STANDARDS  
CAD DOCUMENT  
FILE NAME 357128-6

REFERENCES		OUTLINE		CONFIDENTIAL AND PROPRIETARY INFORMATION THIS DOCUMENT CONTAINS CONFIDENTIAL AND PROPRIETARY INFORMATION OF ROCKWELL AUTOMATION, INC. AND MAY NOT BE USED, COPIED OR DISCLOSED TO OTHERS, EXCEPT WITH THE AUTHORIZED WRITTEN PERMISSION OF ROCKWELL AUTOMATION, INC.
REVISION	AUTHORIZATION	DR.	DATE	
03	1033051	DR. W.O.TOBIAS	DATE 05-04-07	SHEET 1 OF 4 DWG SIZE D 357128-6
02	1032021	CHKD. R.MICHALSKI	DATE 10-31-07	
01	1028657	APPD. B.W.WEISS	DATE 10-31-07	

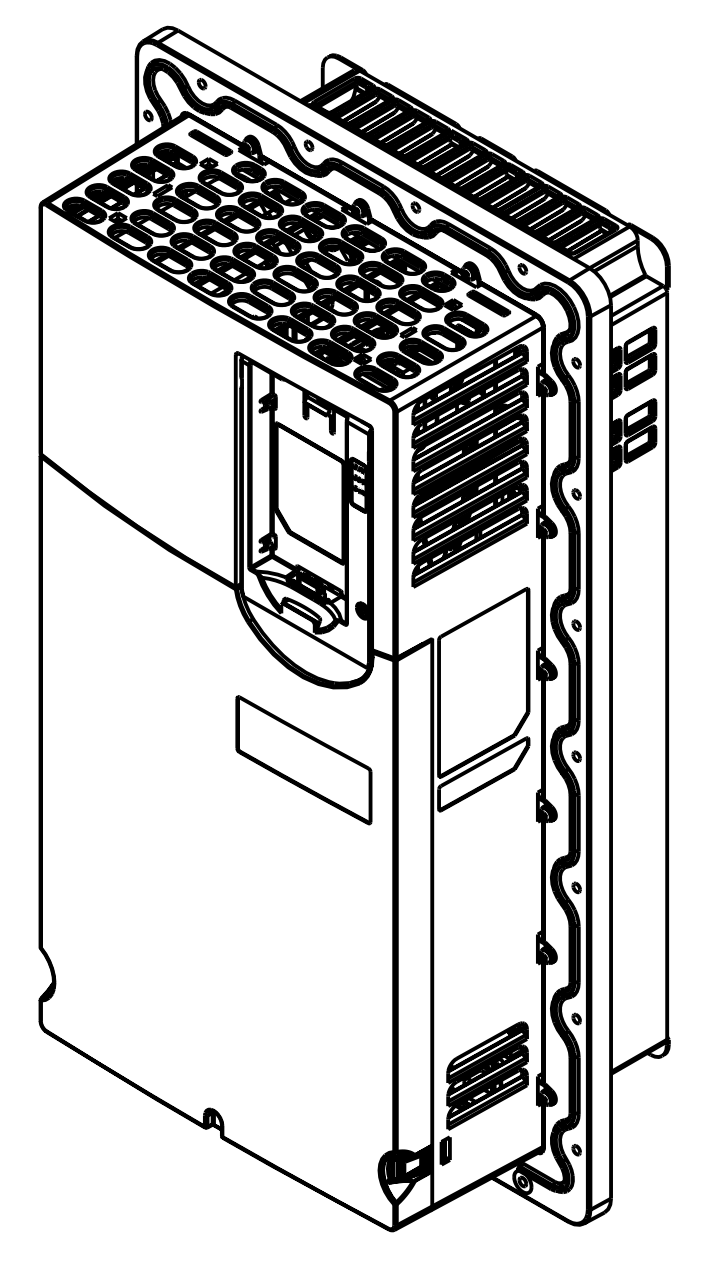
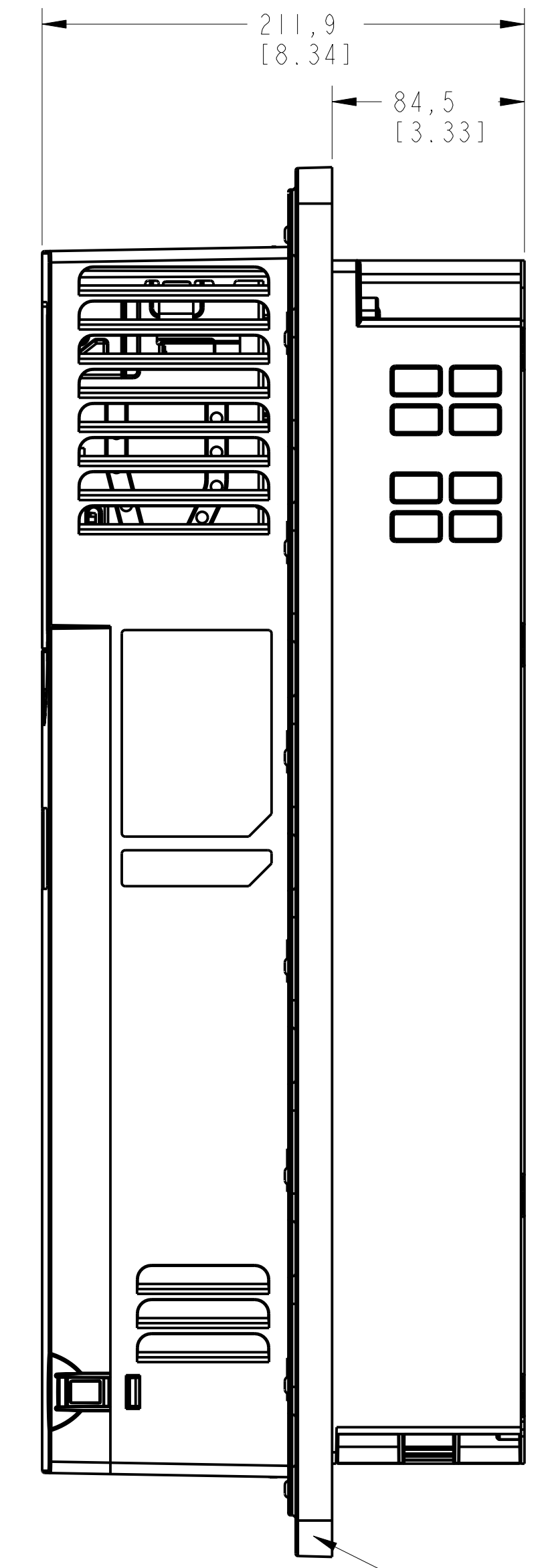
1 2 3 4 5 6 7 8

A  
B  
C  
D  
E  
F  
G  
H

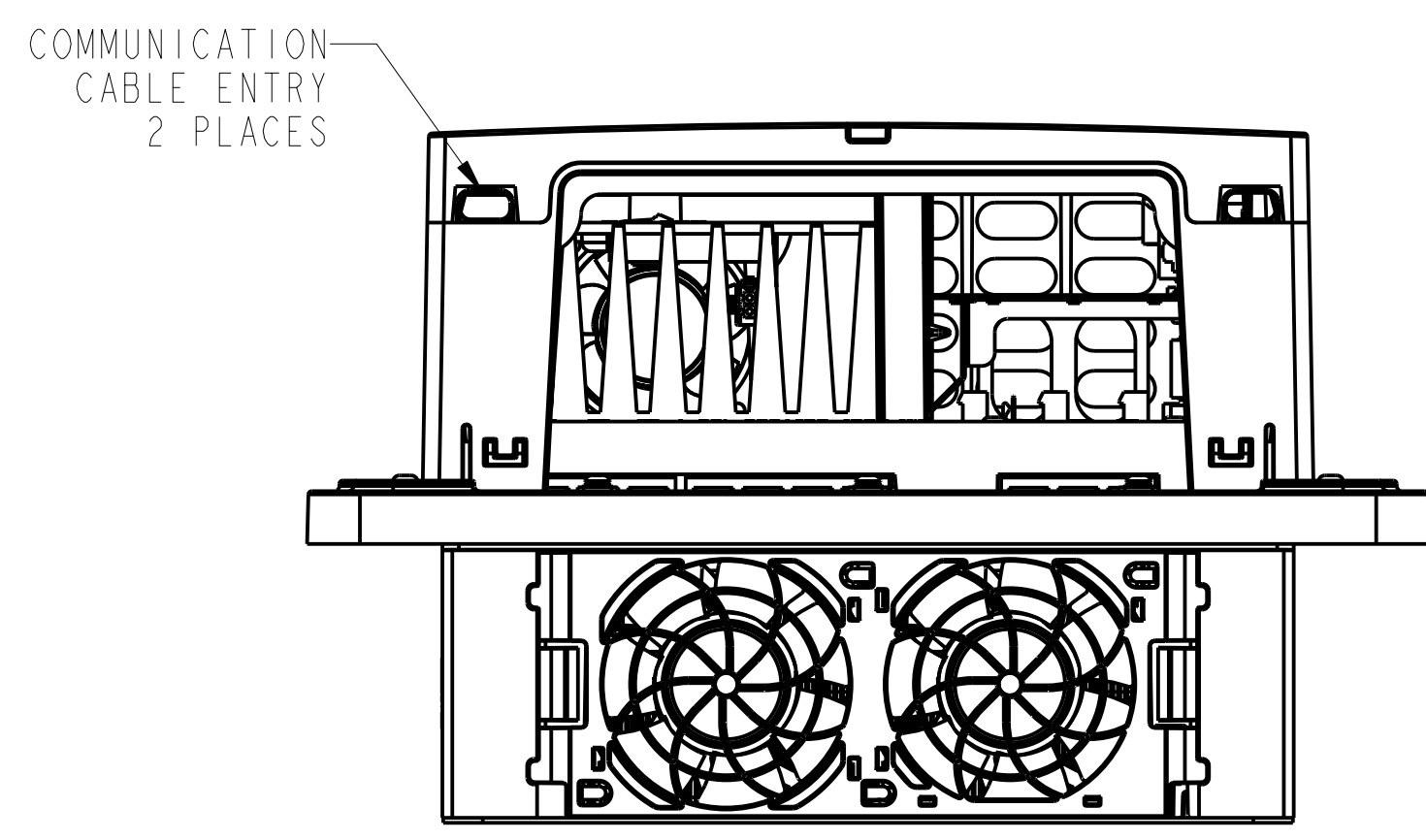


SEE "4X PANEL CUTOUT" SHEET 4

HUMAN INTERFACE MODULE (HIM) OPTIONAL



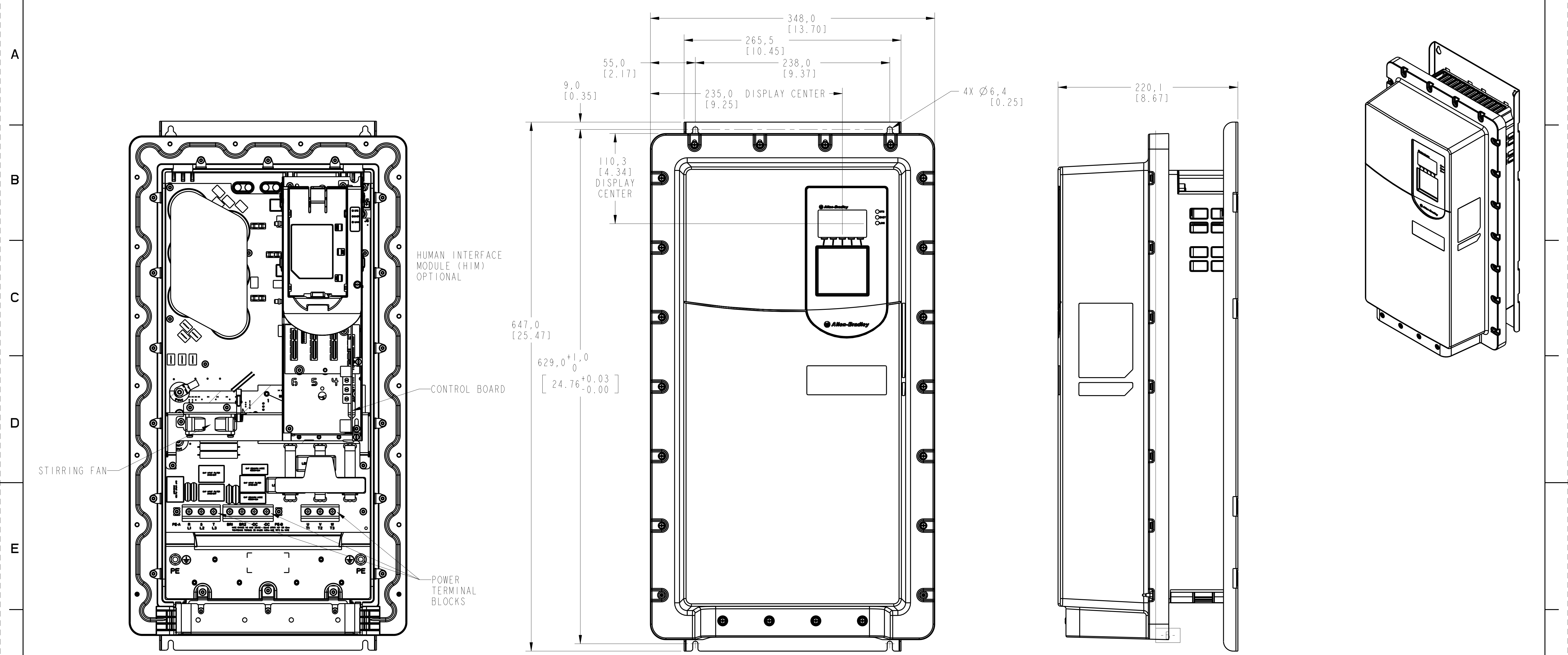
TYPE 4X/IP66 FLANGE MOUNT DRIVE  
LOWER COVER AND HIM BEZEL  
REMOVED



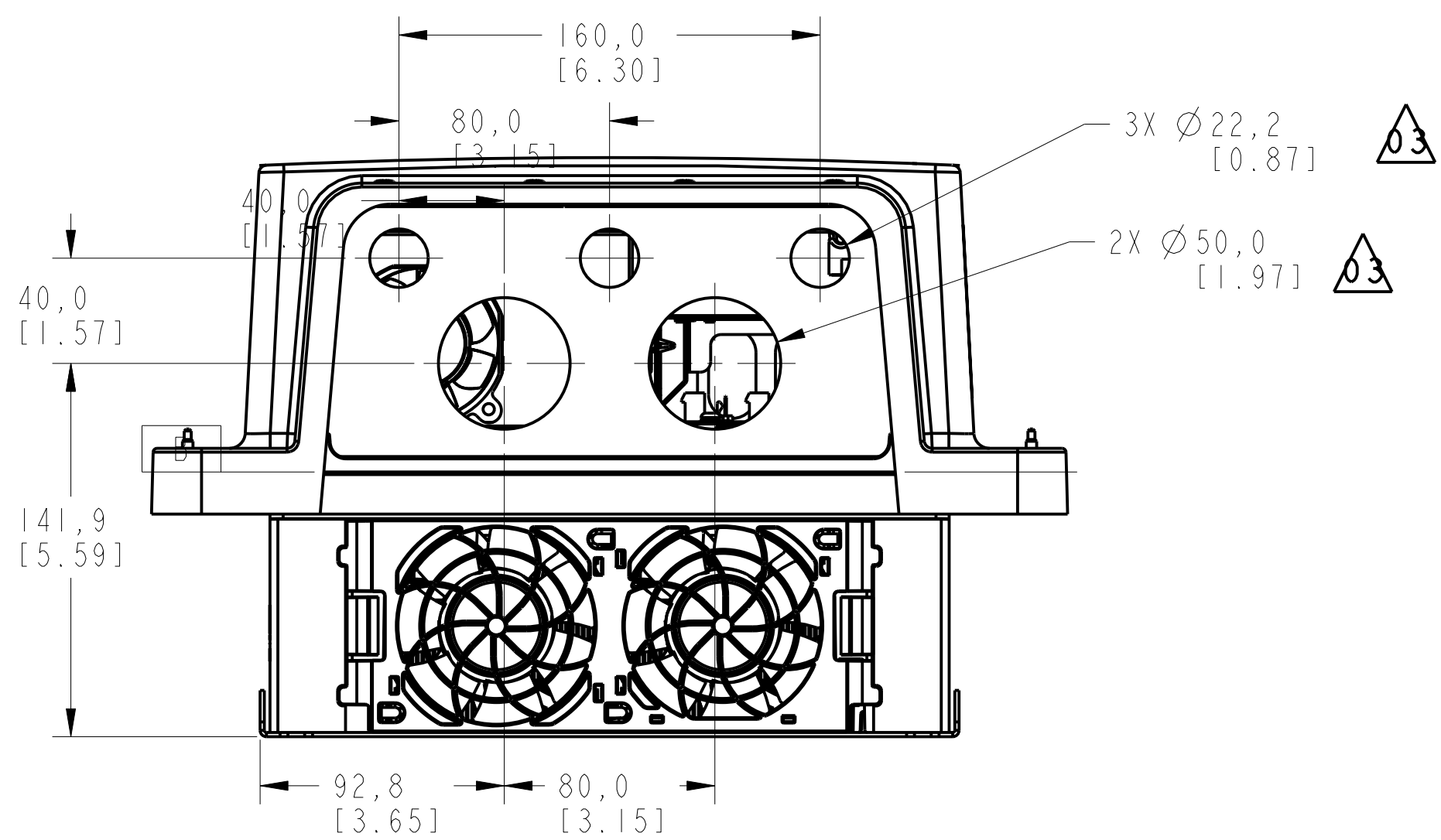
TYPE 4X/IP66 FLANGE MOUNT  
DRIVE DIMENSIONS

PARTS MUST CONFORM TO APPLICABLE ROCKWELL AUTOMATION MANUFACTURING STANDARDS  
CAD DOCUMENT  
FILE NAME 357128-6

REFERENCES		DIMENSIONS APPLY BEFORE SURFACE TREATMENT DIMENSIONS IN MILLIMETERS (INCHES)		OUTLINE FRAME 5 POWERFLEX 750 SERIES		CONFIDENTIAL AND PROPRIETARY INFORMATION THIS DOCUMENT CONTAINS CONFIDENTIAL AND PROPRIETARY INFORMATION OF ROCKWELL AUTOMATION, INC. AND MAY NOT BE USED, COPIED OR DISCLOSED TO OTHERS, EXCEPT WITH THE AUTHORIZED WRITTEN PERMISSION OF ROCKWELL AUTOMATION, INC.
REVISION	AUTHORIZATION	TOLERANCES UNLESS OTHERWISE SPECIFIED		DR.	DATE	
03	1033051	.X:± N/A		DR. W.O.TOBIAS	DATE 05-04-07	SHEET 2 OF 4
02	1032021	ANGLES:± N/A		CHKD. R.MICHALSKI	DATE 10-31-07	DWG. SIZE
01	1028657			APPD. B.W.WEISS	DATE 10-31-07	D 357128-6



TYPE 12 DRIVE COVER AND SHIELD REMOVED



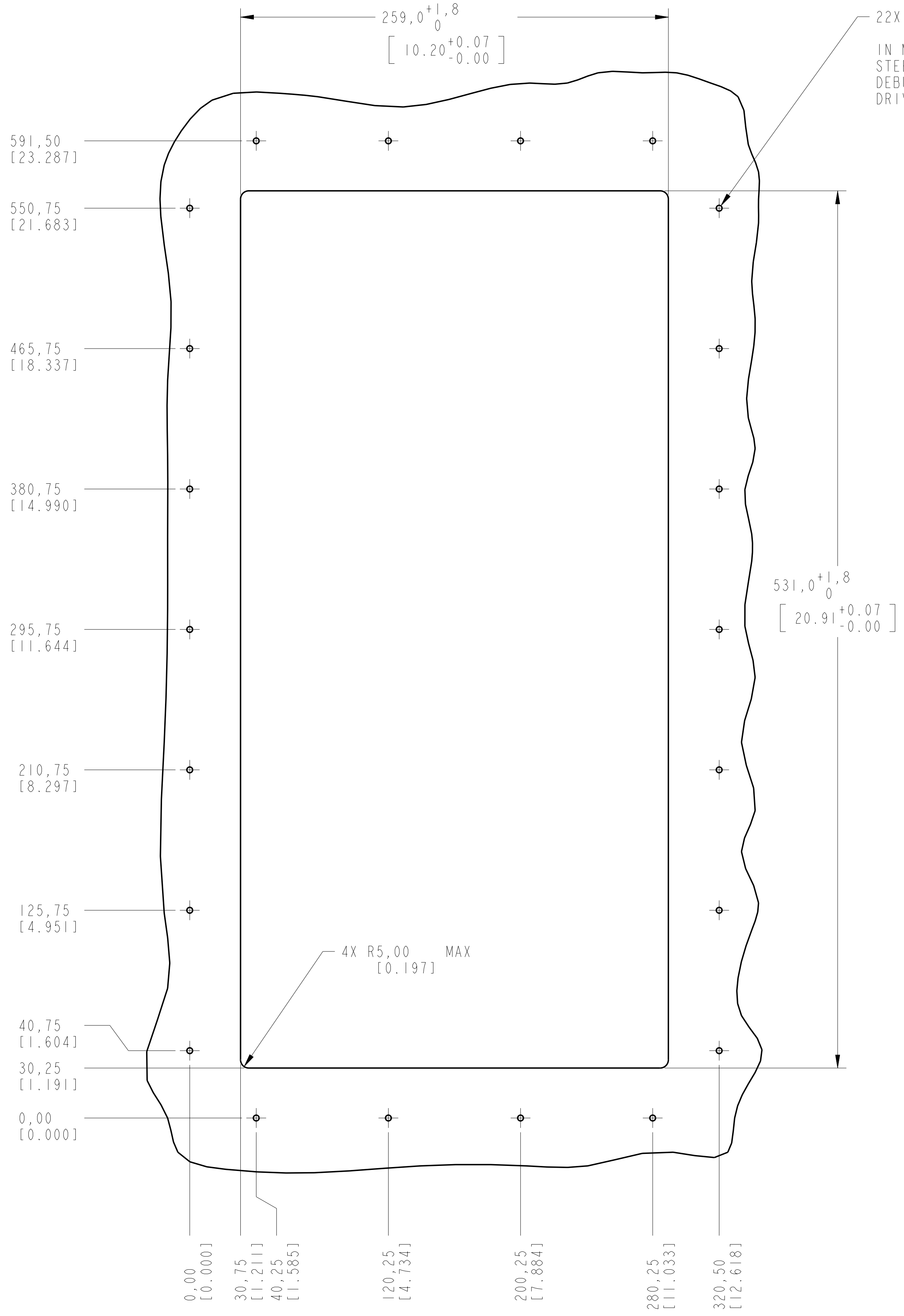
TYPE 12 DRIVE DIMENSIONS

PARTS MUST CONFORM TO APPLICABLE ROCKWELL AUTOMATION MANUFACTURING STANDARDS  
CAD DOCUMENT  
FILE NAME 357128-6

REFERENCES		OUTLINE		CONFIDENTIAL AND PROPRIETARY INFORMATION THIS DOCUMENT CONTAINS CONFIDENTIAL AND PROPRIETARY INFORMATION OF ROCKWELL AUTOMATION, INC. AND MAY NOT BE USED, COPIED OR DISCLOSED TO OTHERS, EXCEPT WITH THE AUTHORIZED WRITTEN PERMISSION OF ROCKWELL AUTOMATION, INC.
REVISION	AUTHORIZATION	DR.	DATE	
03	1033051	W.O.TOBIAS	05-04-07	SHEET 3 OF 4 DWG. SIZE D 357128-6
02	1032021	R.MICHALSKI	10-31-07	
01	1028657	B.W.WEISS	10-31-07	

1 2 3 4 5 6 7 8

A  
B  
C  
D  
E  
F  
G  
H



22X Ø3,50  
[0.138]  
IN MINIMUM 14 GA  
STEEL MOUNTING SURFACE.  
DEBURR PILOT HOLES AND  
DRIVE OPENING.

531,0<sup>+1,8</sup><sub>0</sub>  
[20.91<sup>+0.07</sup><sub>-0.00</sub>]

259,0<sup>+1,8</sup><sub>0</sub>  
[10.20<sup>+0.07</sup><sub>-0.00</sub>]

4X R5,00 MAX  
[0.197]

591,50  
[23.287]

550,75  
[21.683]

465,75  
[18.337]

380,75  
[14.990]

295,75  
[11.644]

210,75  
[8.297]

125,75  
[4.951]

40,75  
[1.604]

30,25  
[1.191]

0,00  
[0.000]

0,00  
[0.000]

30,75  
[1.211]

40,25  
[1.585]

120,25  
[4.734]

200,25  
[7.884]

280,25  
[11.033]

320,50  
[12.618]

**FLANGE MOUNT DRIVE  
PANEL CUTOUT**

NOTES:

4.1 MOUNTING HARDWARE SHIPPED WITH FLANGE MOUNT DRIVE.

PARTS MUST CONFORM TO  
APPLICABLE ROCKWELL AUTOMATION  
MANUFACTURING STANDARDS

**CAD DOCUMENT**

FILE NAME 357128-6

REFERENCES		DIMENSIONS APPLY BEFORE SURFACE TREATMENT		OUTLINE		CONFIDENTIAL AND PROPRIETARY INFORMATION	
REVISION	AUTHORIZATION	DIMENSIONS IN MILLIMETERS	DIMENSIONS IN INCHES	FRAME 5	POWERFLEX 750 SERIES	THIS DOCUMENT CONTAINS CONFIDENTIAL AND PROPRIETARY INFORMATION OF ROCKWELL AUTOMATION, INC. AND MAY NOT BE USED, COPIED OR DISCLOSED TO OTHERS, EXCEPT WITH THE AUTHORIZED WRITTEN PERMISSION OF ROCKWELL AUTOMATION, INC.	
03	1033051	.XX:±	N/A	DR. W.O.TOBIAS	DATE 05-04-07	SHEET	4 OF 4
02	1032021	ANGLES:±	N/A	CHKD. R.MICHALSKI	DATE 10-31-07	DWG. SIZE	<b>357128-6</b>
01	1028657			APPD. B.W.WEISS	DATE 10-31-07	D	