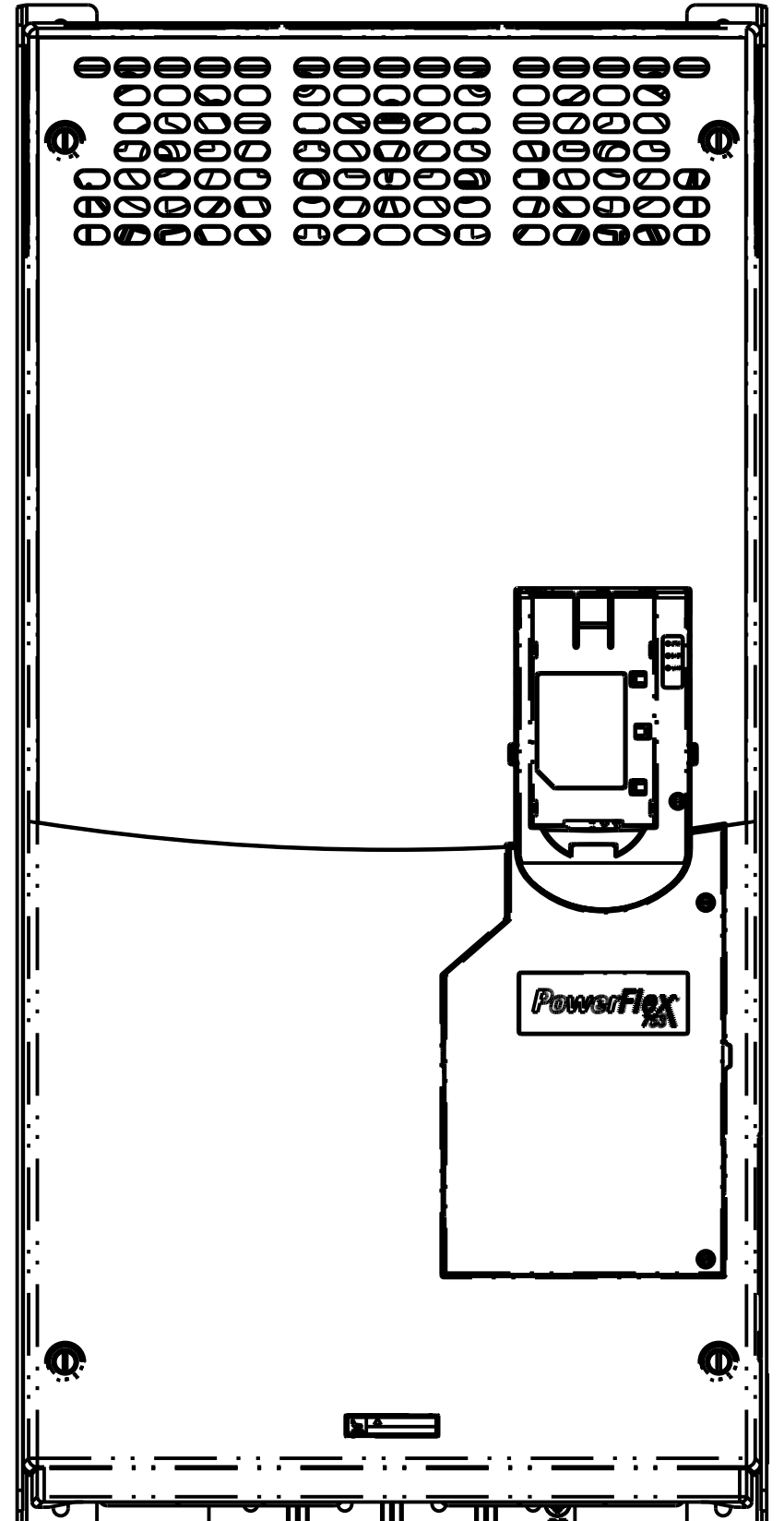
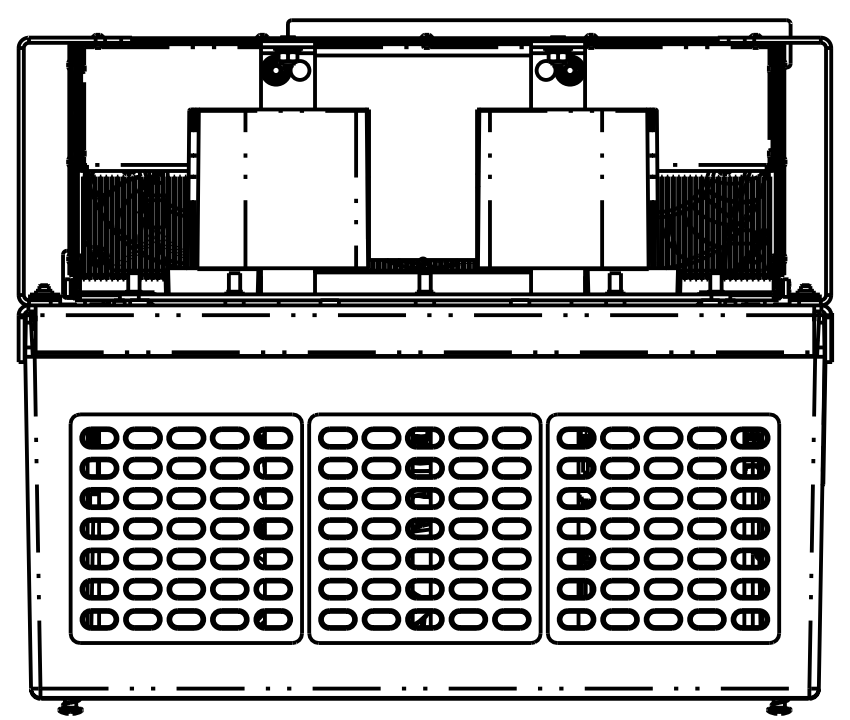
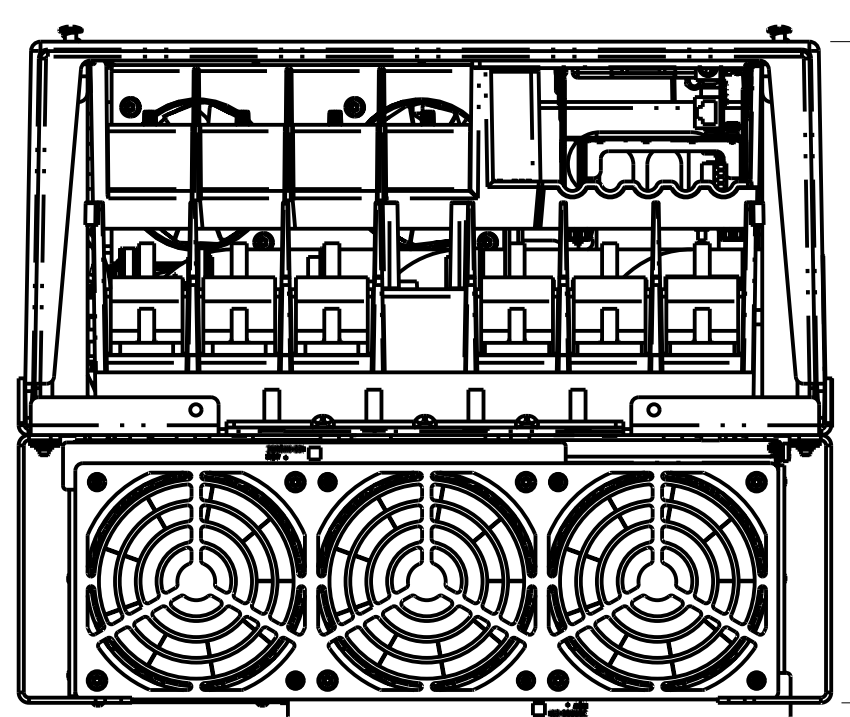


1 2 3 4 5 6 7 8

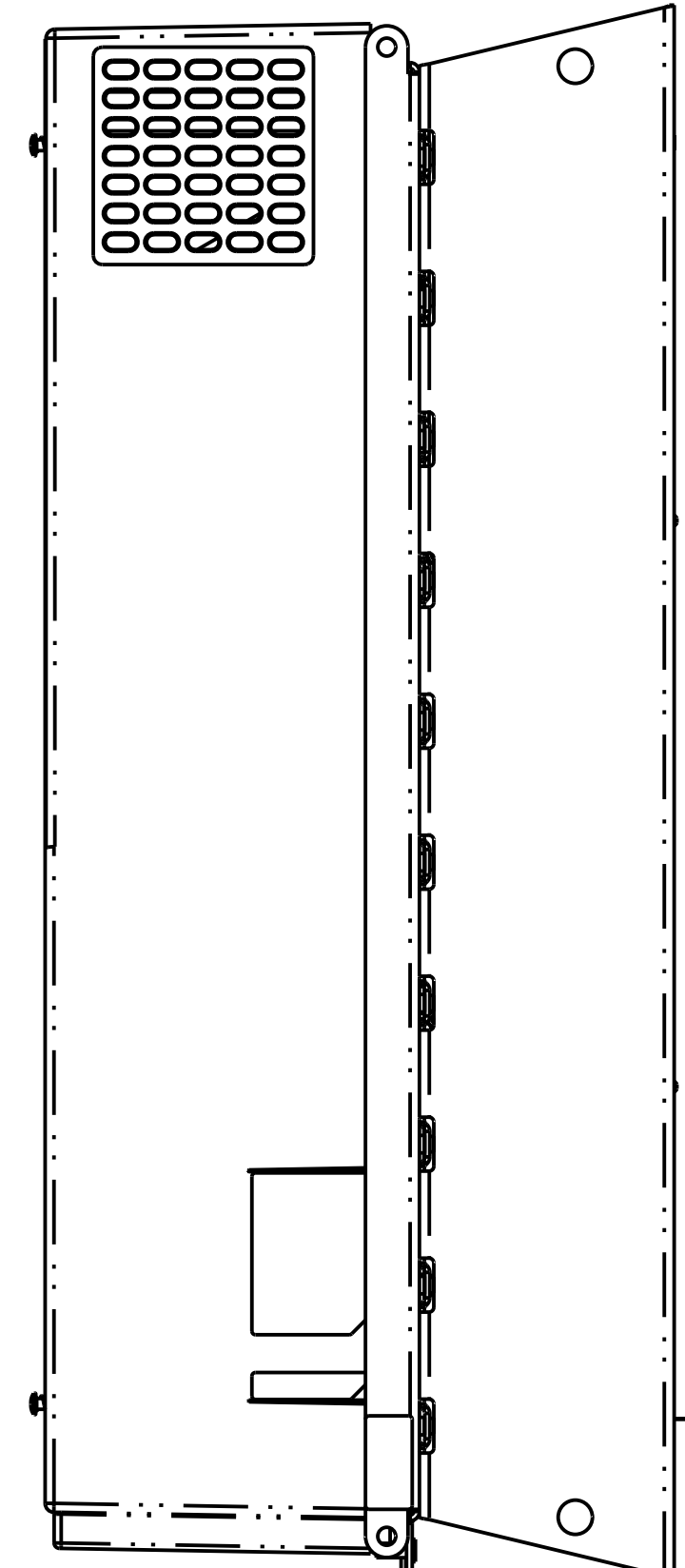
A
B
C
D
E
F
G
H



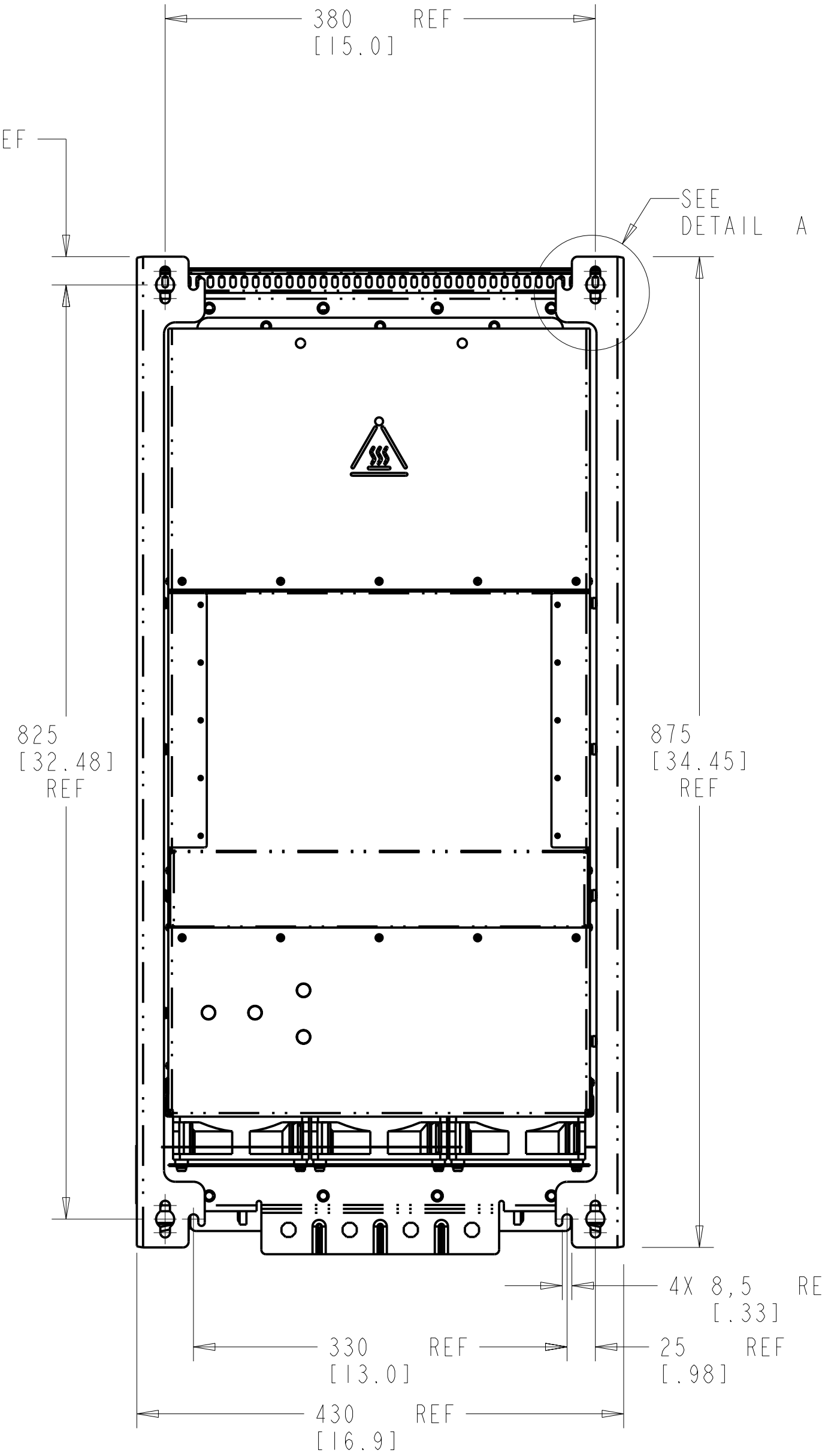
TYPE 1 DRIVE



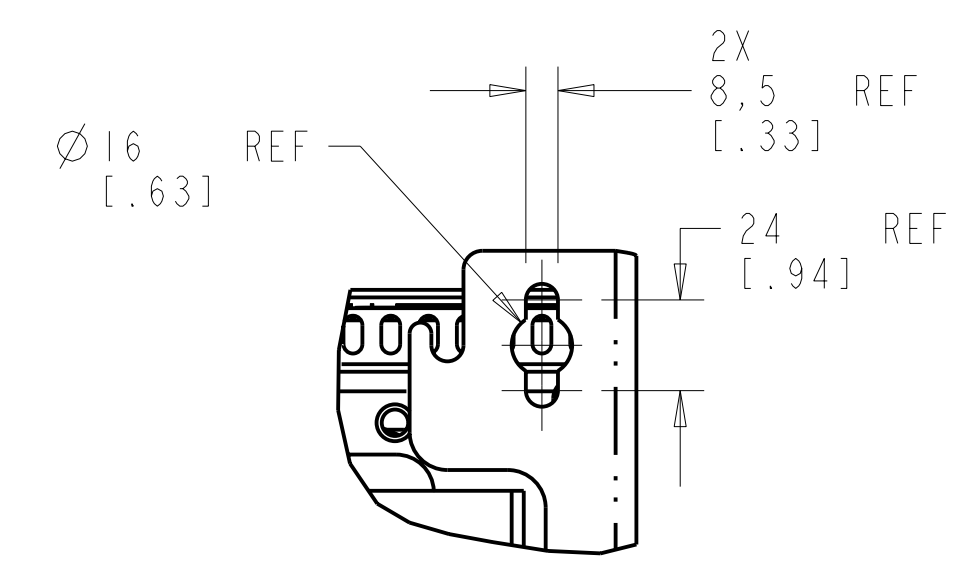
349,88 REF
[13.8]



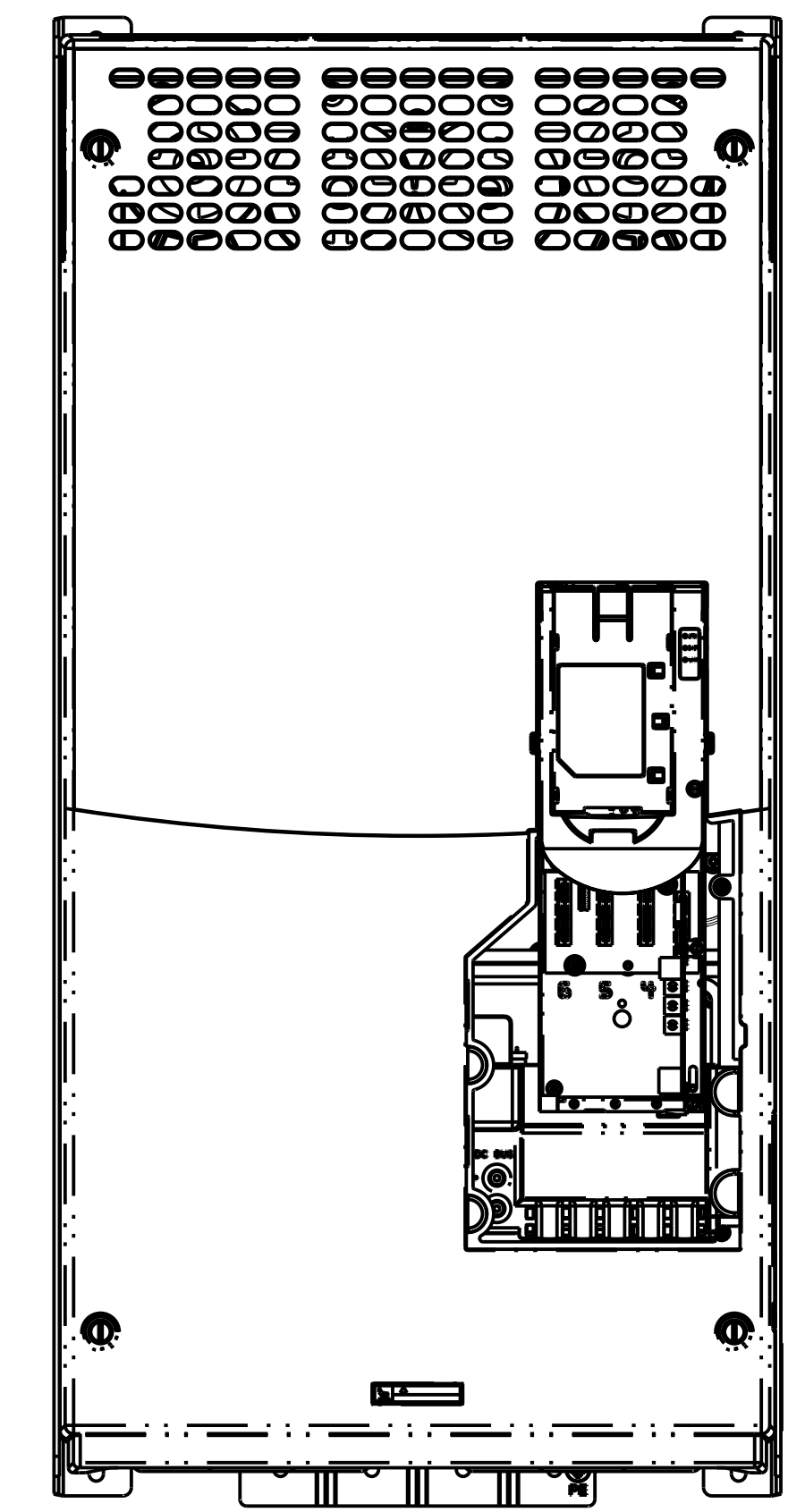
25 REF
[.98]



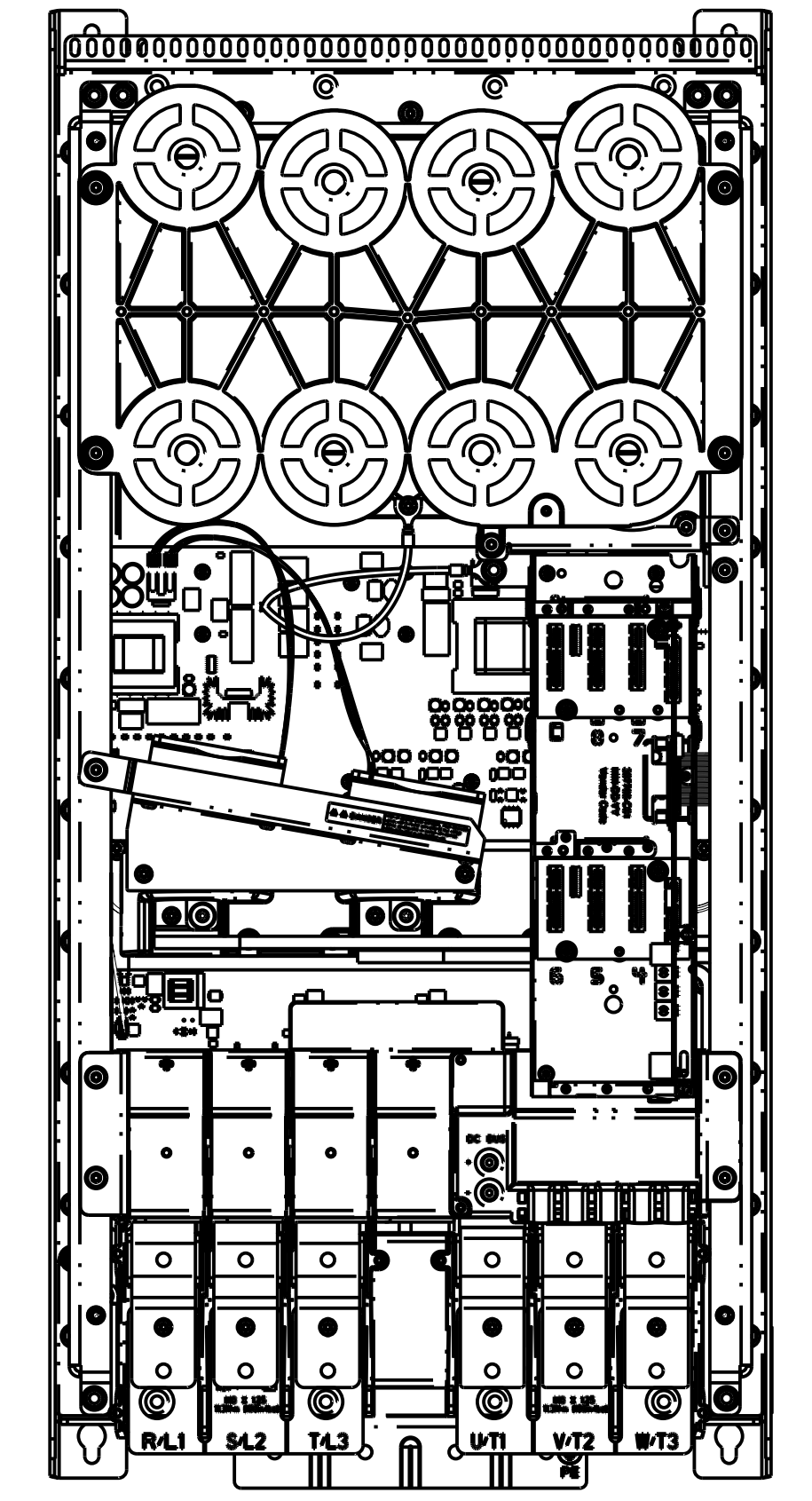
VIEW LKG AT DRIVE MOUNTING



DETAIL A
DRIVE LEG SLOT
TYPICAL 4-PLACES
SCALE 0.500



TYPE 1 DRIVE
ACCESS COVER
REMOVED

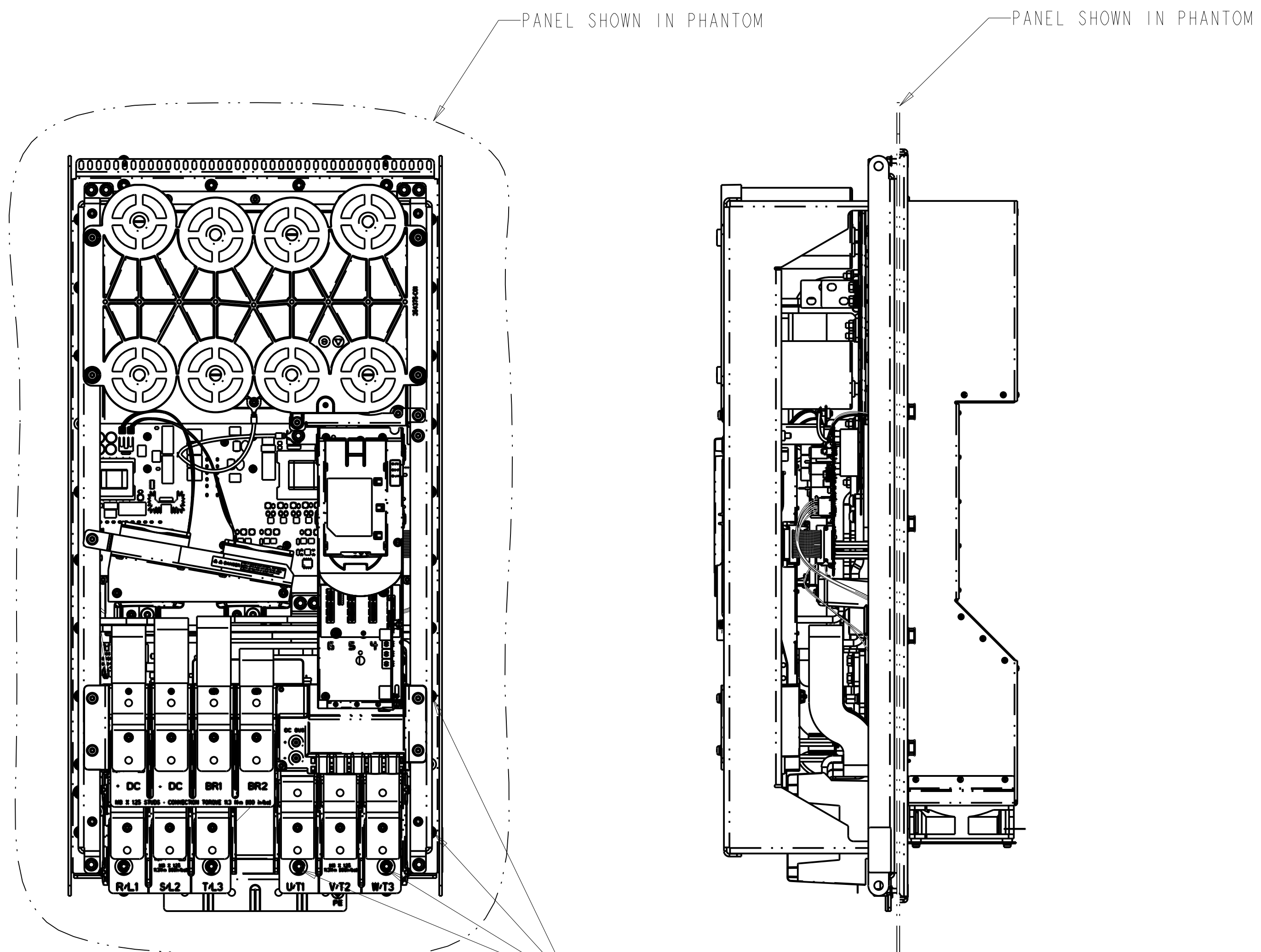


OPEN DRIVE
COVERS & HIM BEZEL
REMOVED

Rockwell Automation OUTLINE DRAWING FRAME-7 POWERFLEX 750 SERIES		CONFIDENTIAL AND PROPRIETARY INFORMATION THIS DOCUMENT CONTAINS CONFIDENTIAL AND PROPRIETARY INFORMATION OF ROCKWELL AUTOMATION, INC. AND MAY NOT BE USED, COPIED OR DISCLOSED TO OTHERS, EXCEPT WITH THE AUTHORIZED WRITTEN PERMISSION OF ROCKWELL AUTOMATION, INC.	
		Sheet 1 Of 5	Ver
Drawn by: RASAVATS	Date: 08-17-09	D	357130-6
			02

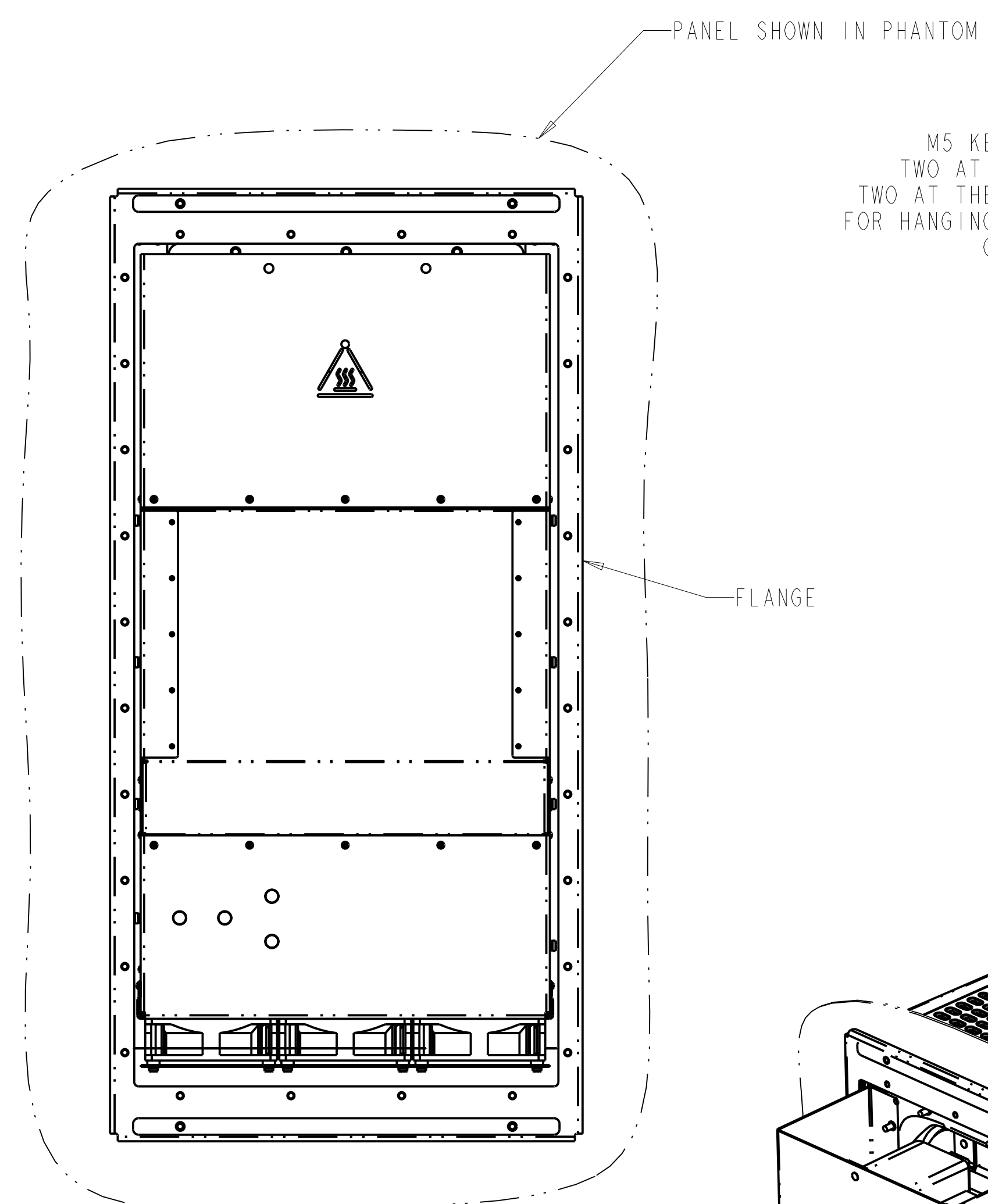
1 2 3 4 5 6 7 8

A
B
C
D
E
F
G
H

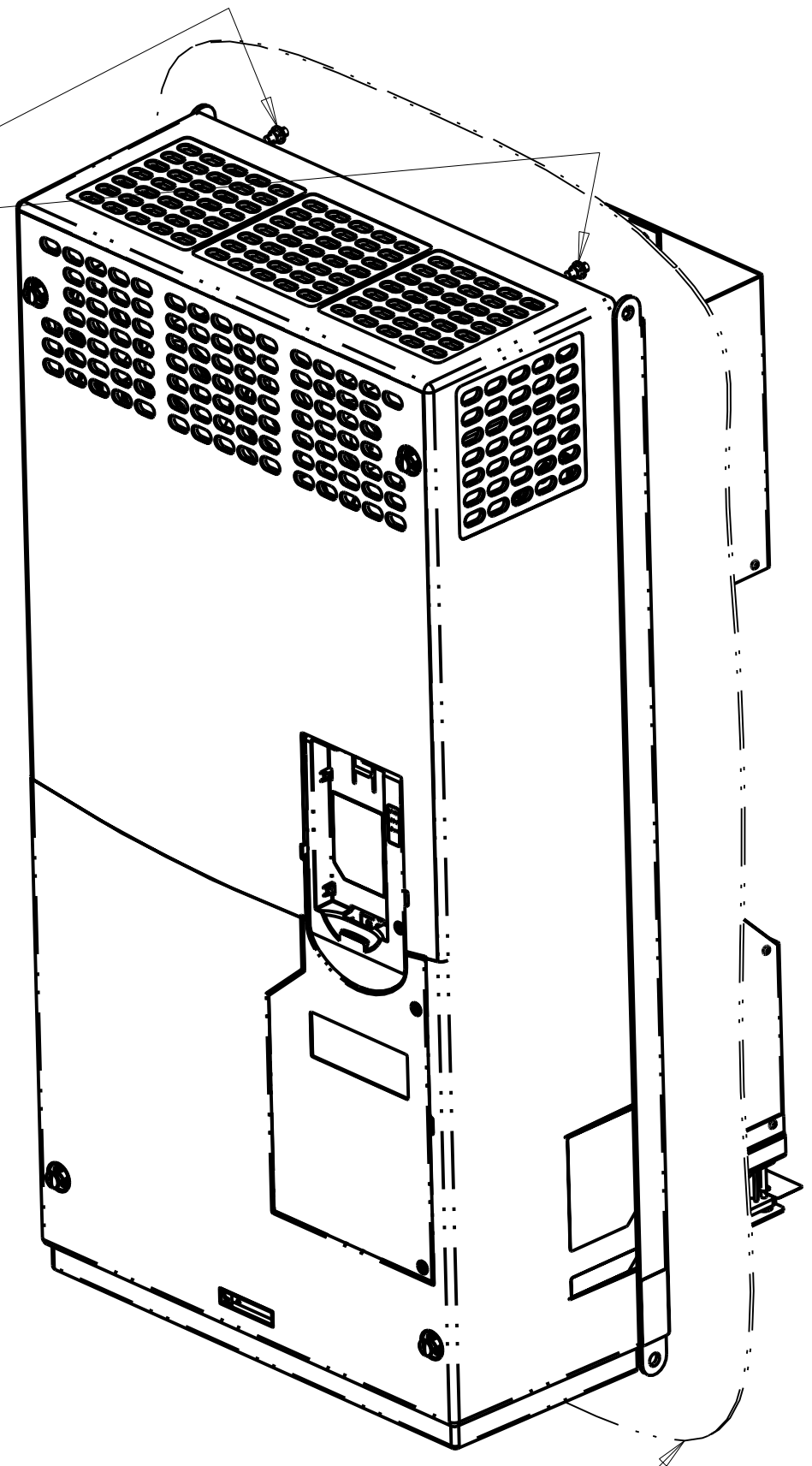


FLANGE MOUNT DRIVE
COVERS REMOVED

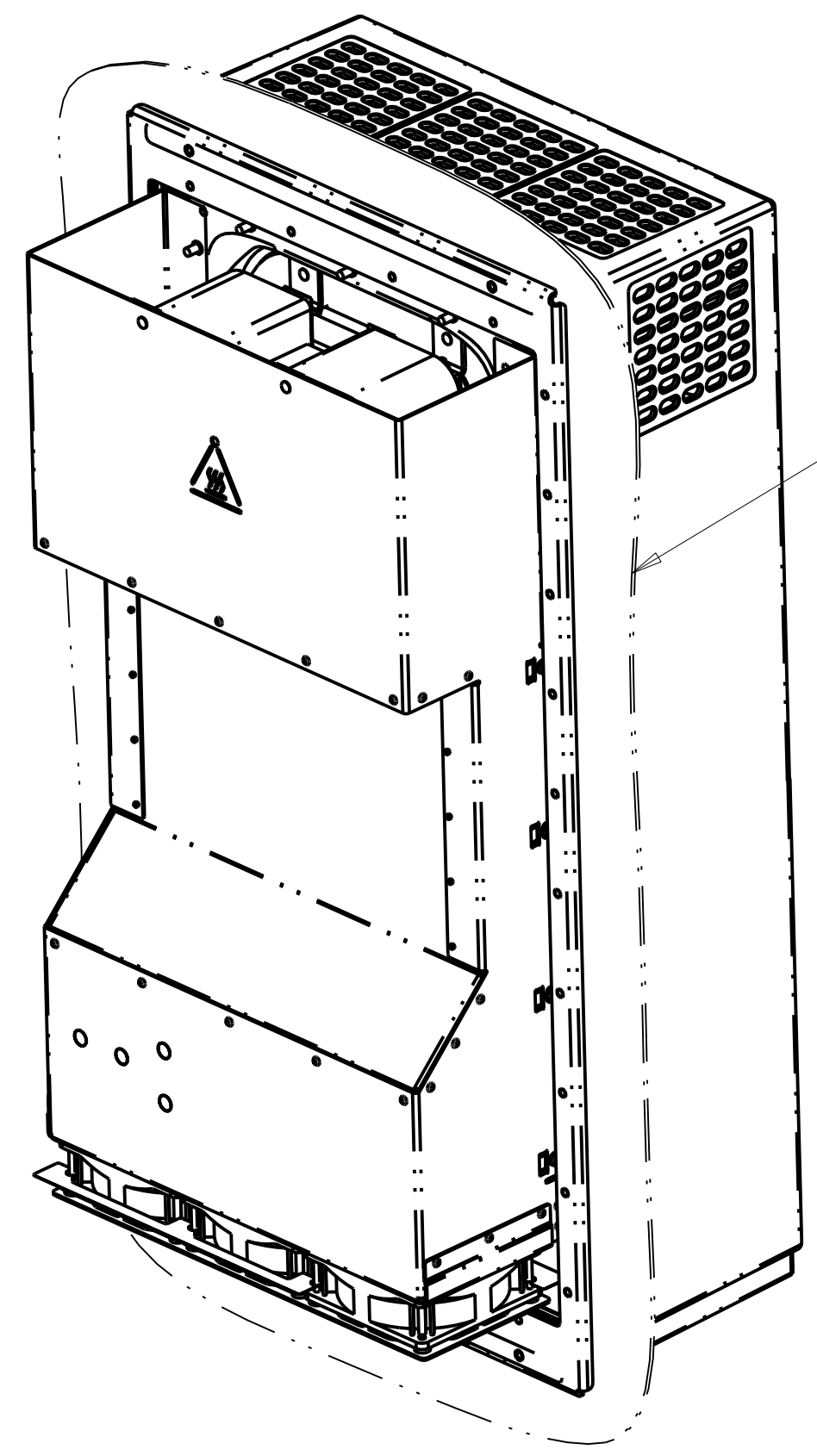
28X
M5 KEPS NUTS
FOR MOUNTING DRIVE
TO FLANGE



4X
M5 KEPS NUTS
TWO AT THE TOP
TWO AT THE BOTTOM
FOR HANGING FLANGE
ON PANEL



SCALE 0.220

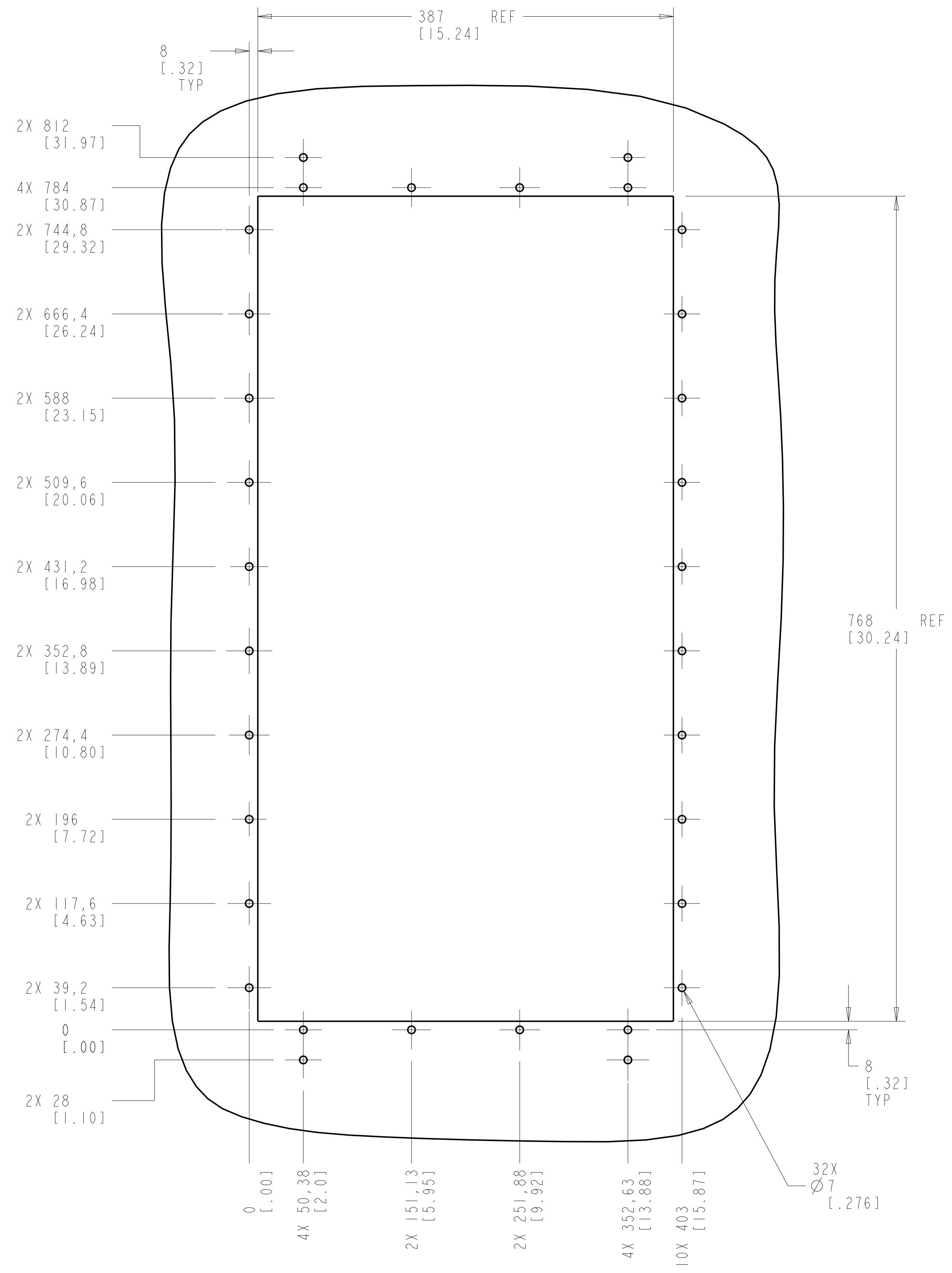


TYPE 4X/IP66 FLANGE MOUNT
DRIVE DIMENSIONS

Rockwell Automation OUTLINE DRAWING FRAME-7 POWERFLEX 750 SERIES		CONFIDENTIAL AND PROPRIETARY INFORMATION THIS DOCUMENT CONTAINS CONFIDENTIAL AND PROPRIETARY INFORMATION OF ROCKWELL AUTOMATION, INC. AND MAY NOT BE USED, COPIED OR DISCLOSED TO OTHERS, EXCEPT WITH THE AUTHORIZED WRITTEN PERMISSION OF ROCKWELL AUTOMATION, INC.	
		Sheet 2 Of 5	Ver
Drawn by: RASAVATS	Date: 08-17-09	D	357130-6
			02

1 2 3 4 5 6 7 8

A
B
C
D
E
F
G
H

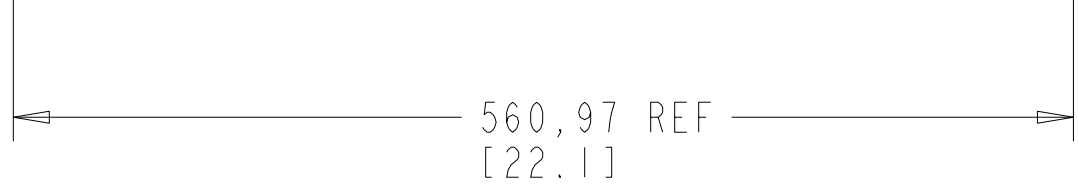
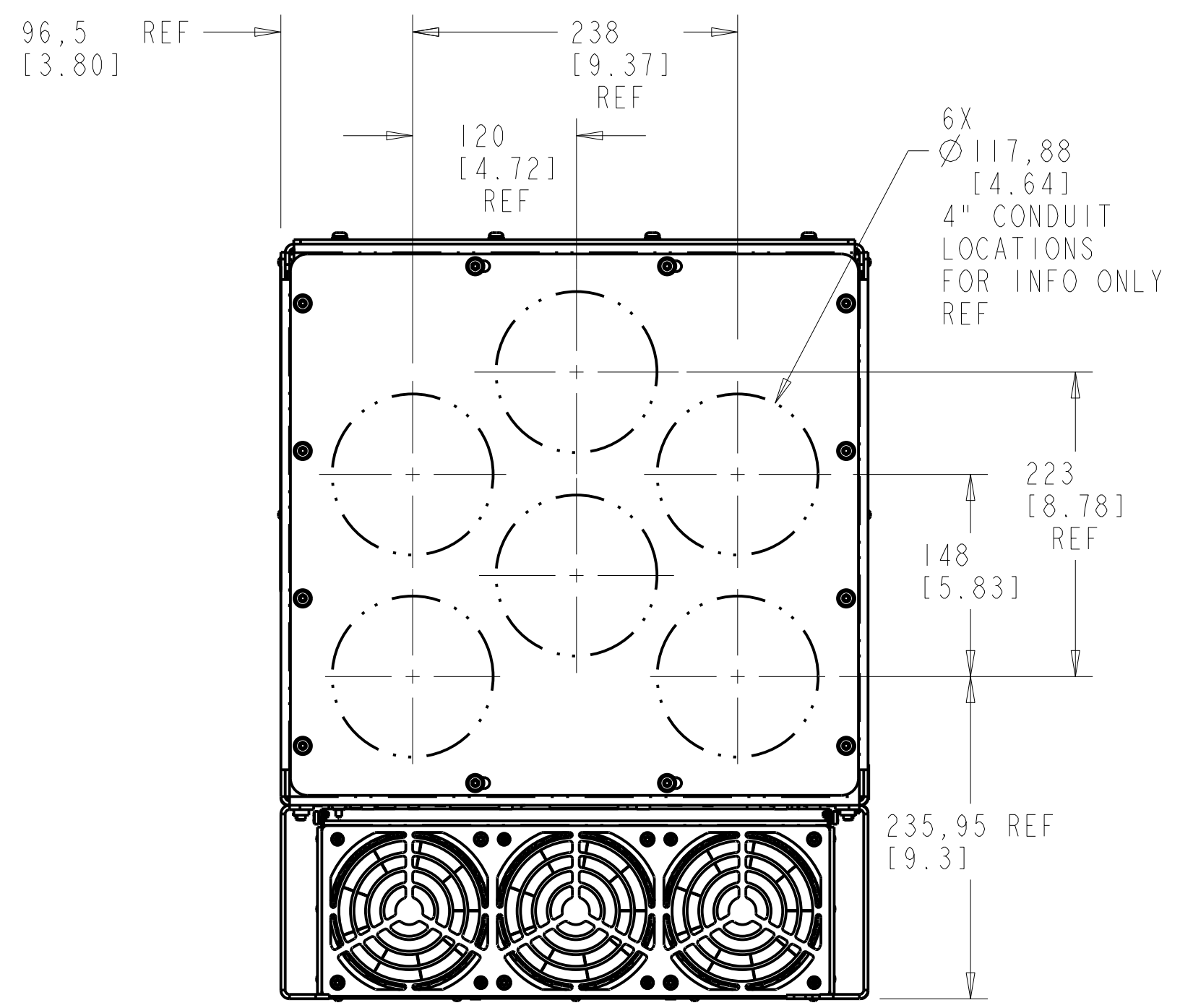
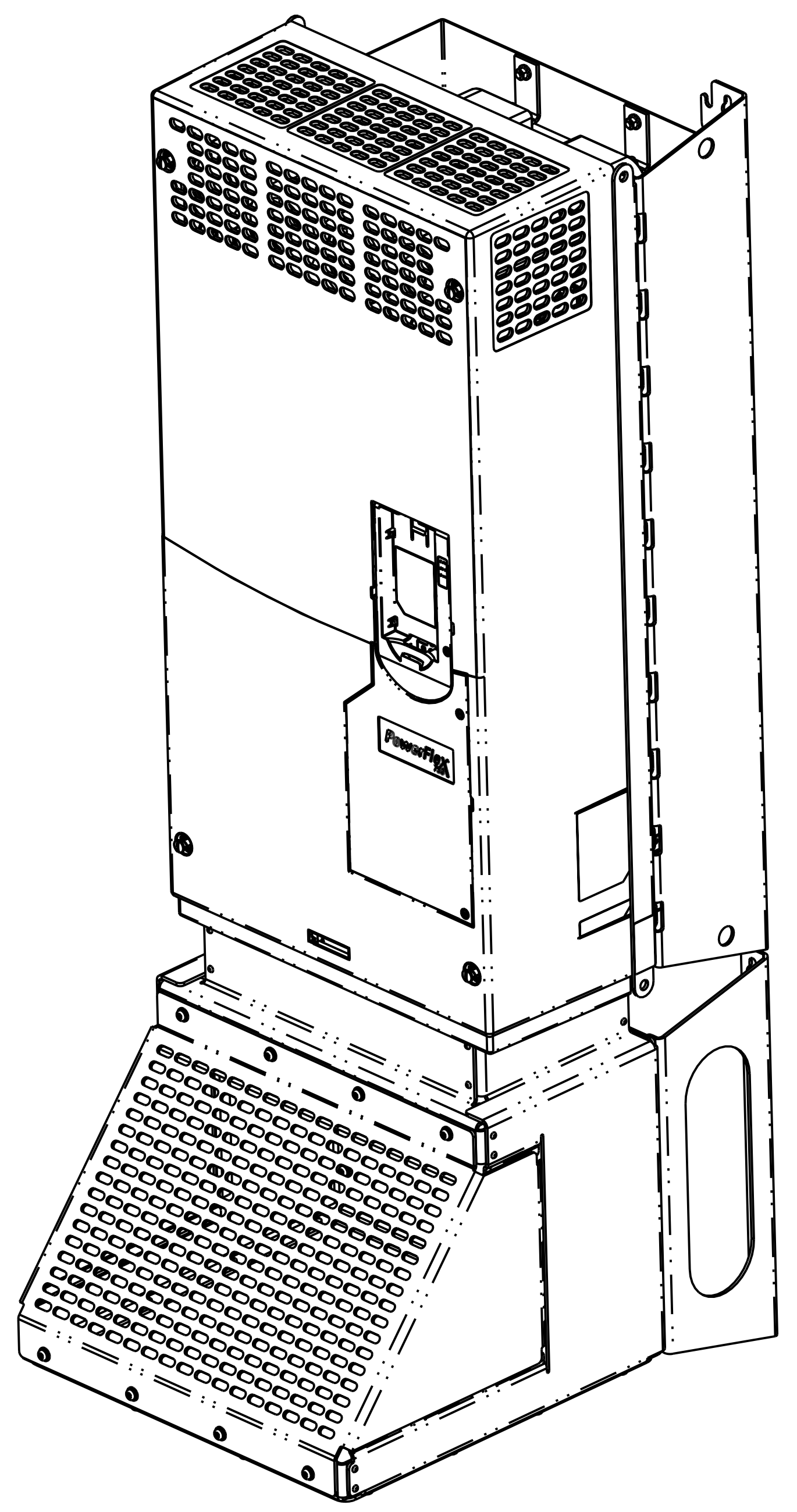
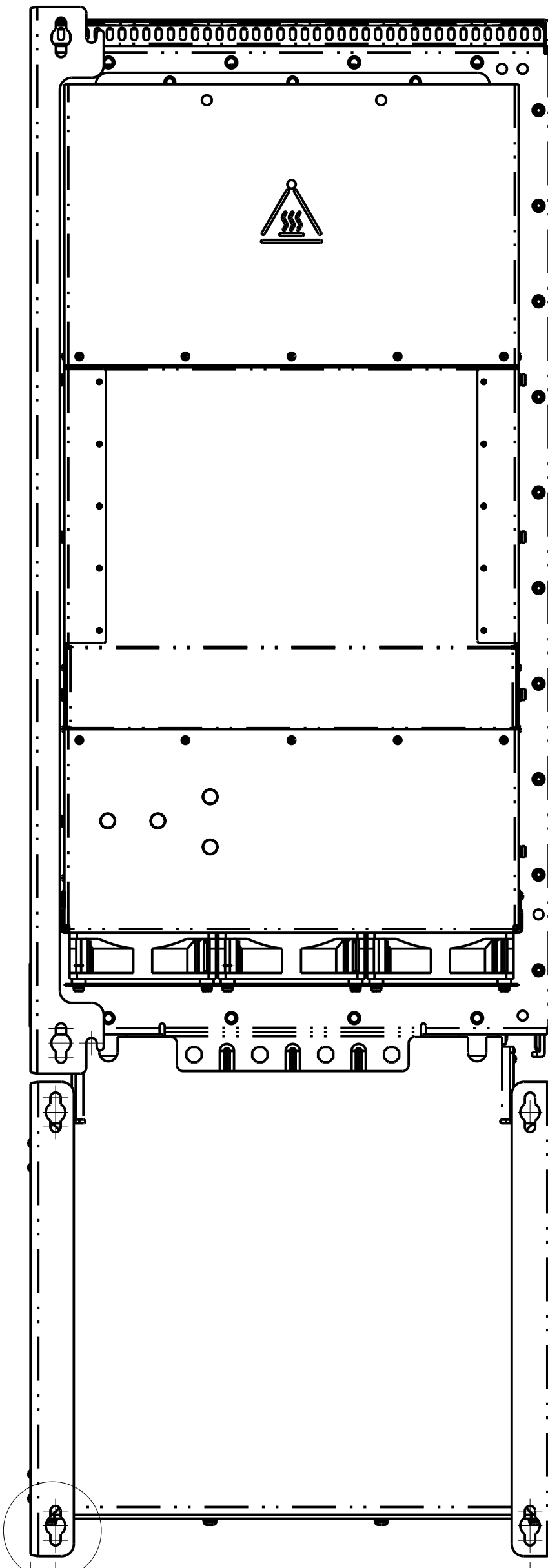
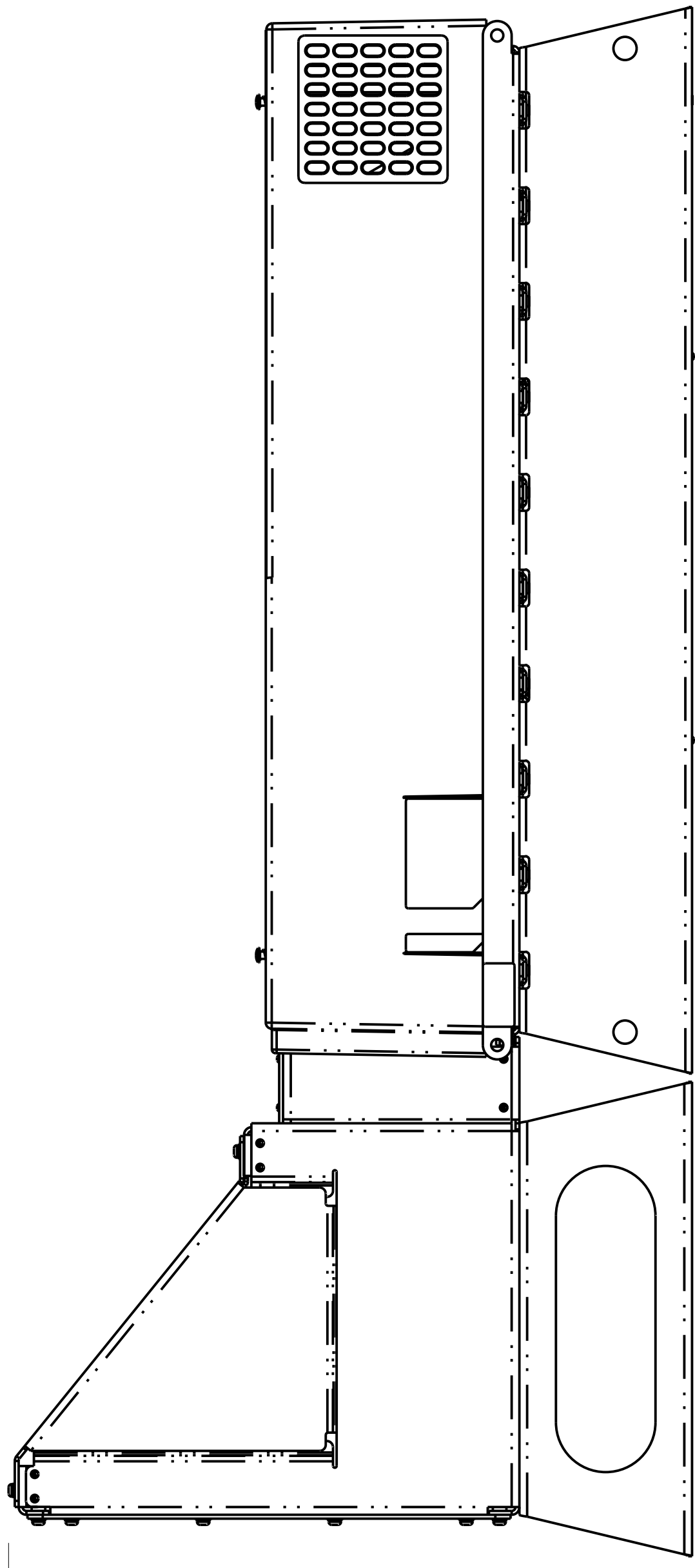
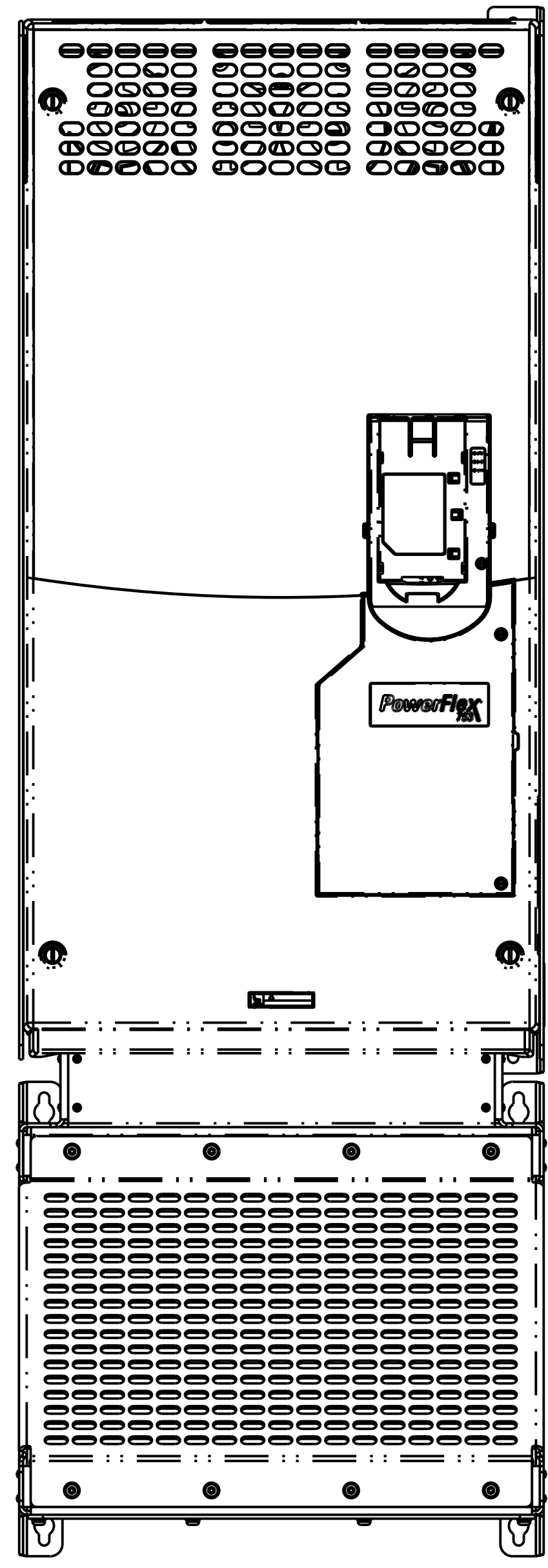


FLANGE MOUNT DRIVE
PANEL CUTOUT
SCALE 0.375

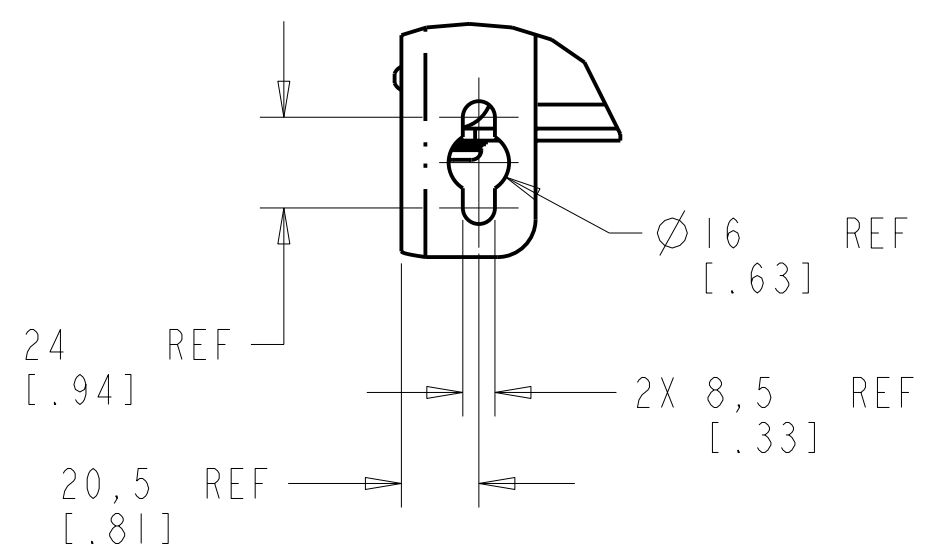
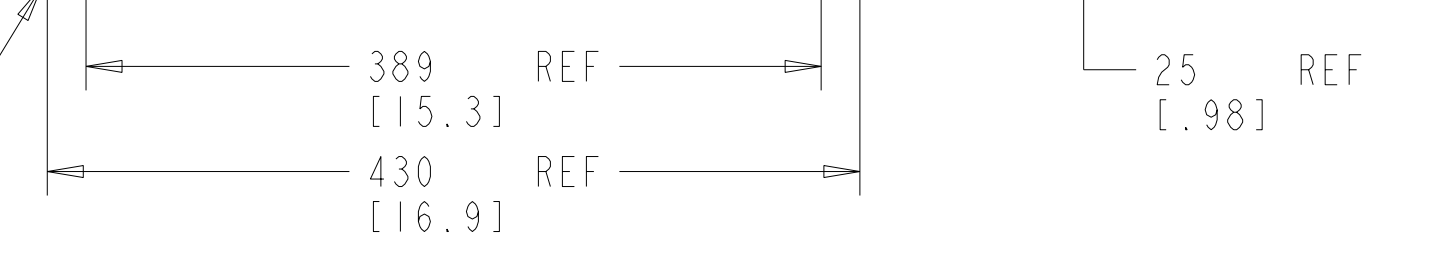
Rockwell Automation OUTLINE DRAWING FRAME-7 POWERFLEX 750 SERIES		CONFIDENTIAL AND PROPRIETARY INFORMATION THIS DOCUMENT CONTAINS CONFIDENTIAL AND PROPRIETARY INFORMATION OF ROCKWELL AUTOMATION, INC. AND MAY NOT BE USED, COPIED OR DISCLOSED TO OTHERS, EXCEPT WITH THE AUTHORIZED WRITTEN PERMISSION OF ROCKWELL AUTOMATION, INC.	
		Sheet 3 Of 5	Ver
Drawn by: RASAVATS	Date: 08-17-09	D	357130-6
			02

1 2 3 4 5 6 7 8

A
B
C
D
E
F
G
H



SEE DETAIL B

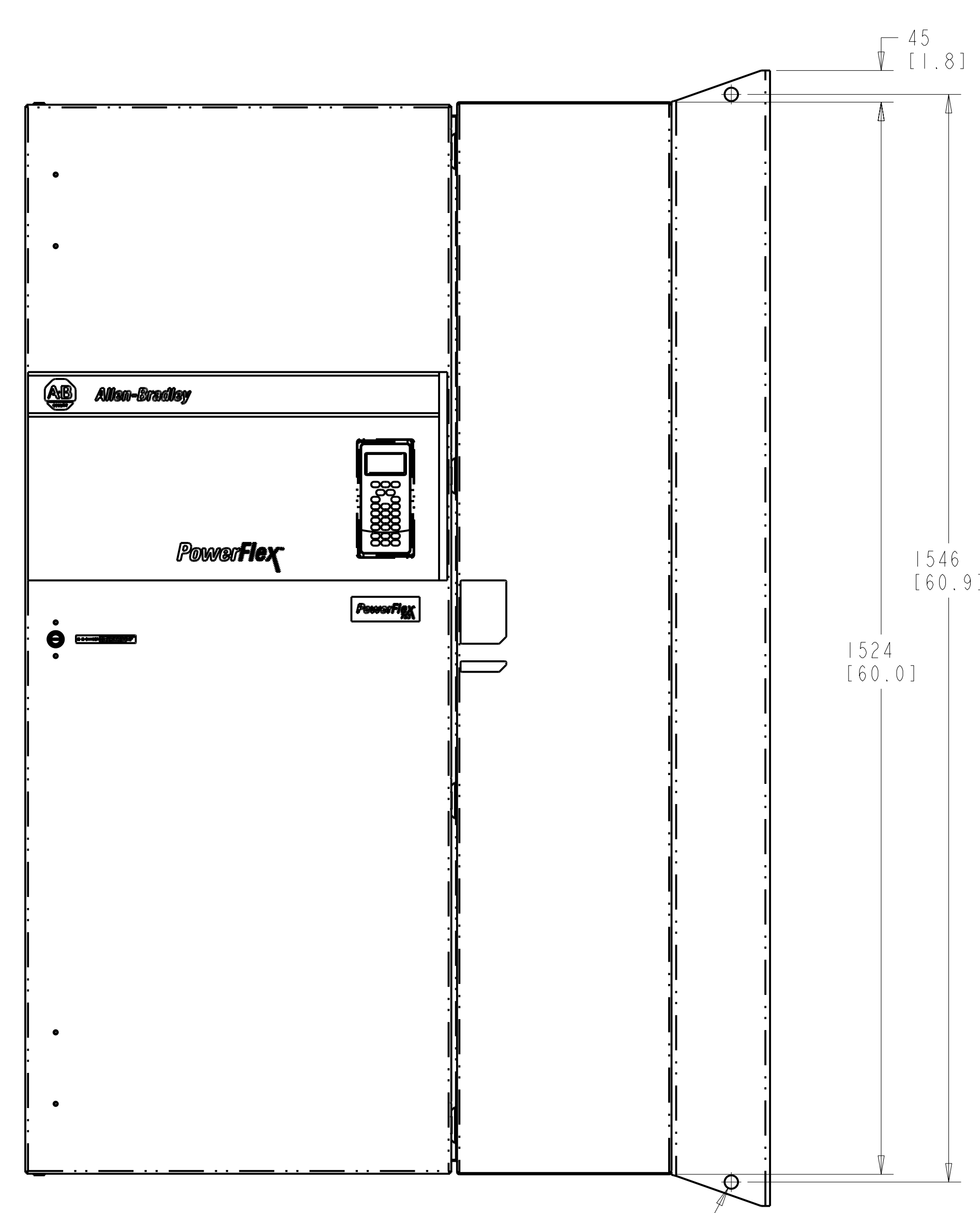
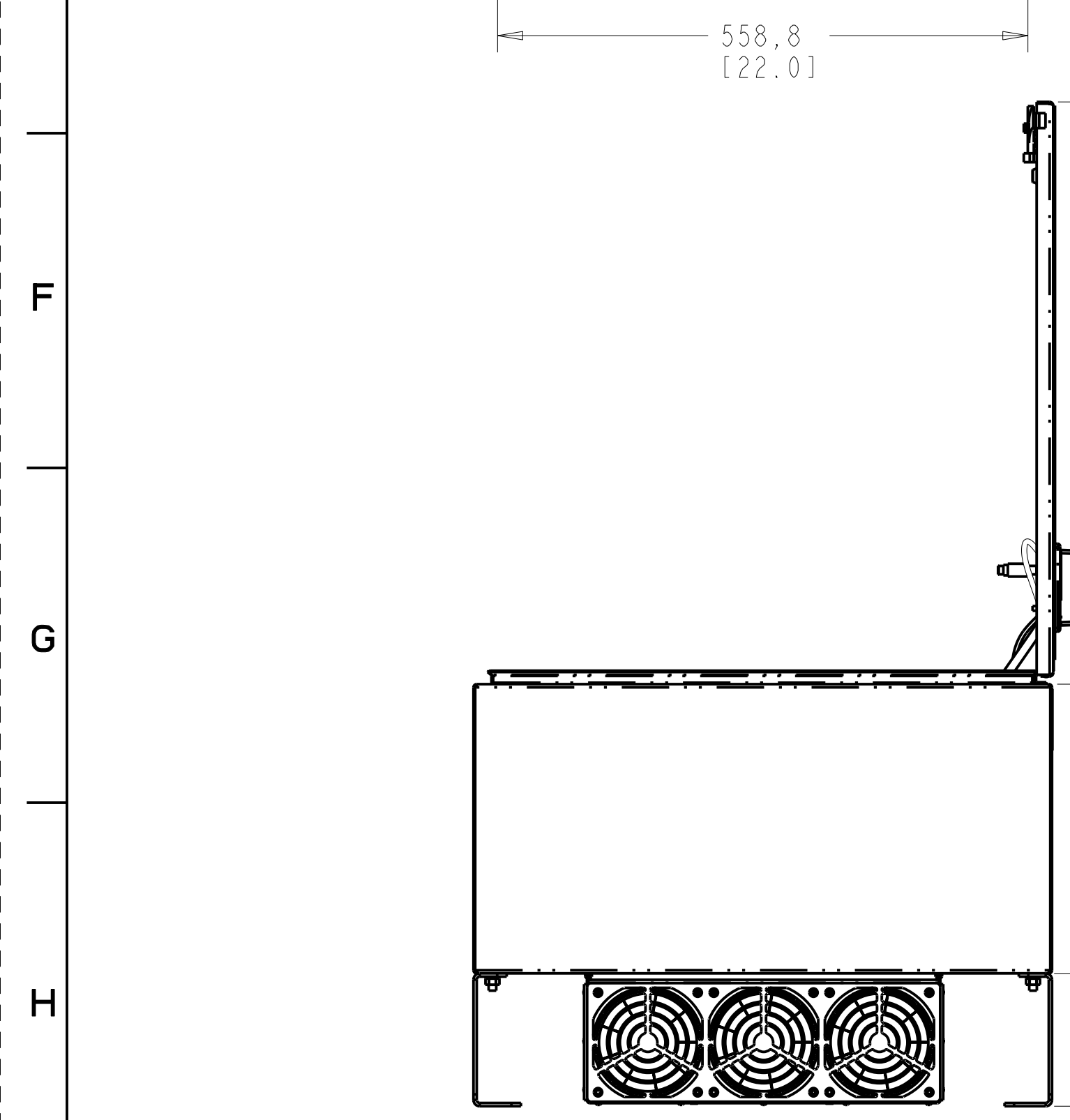
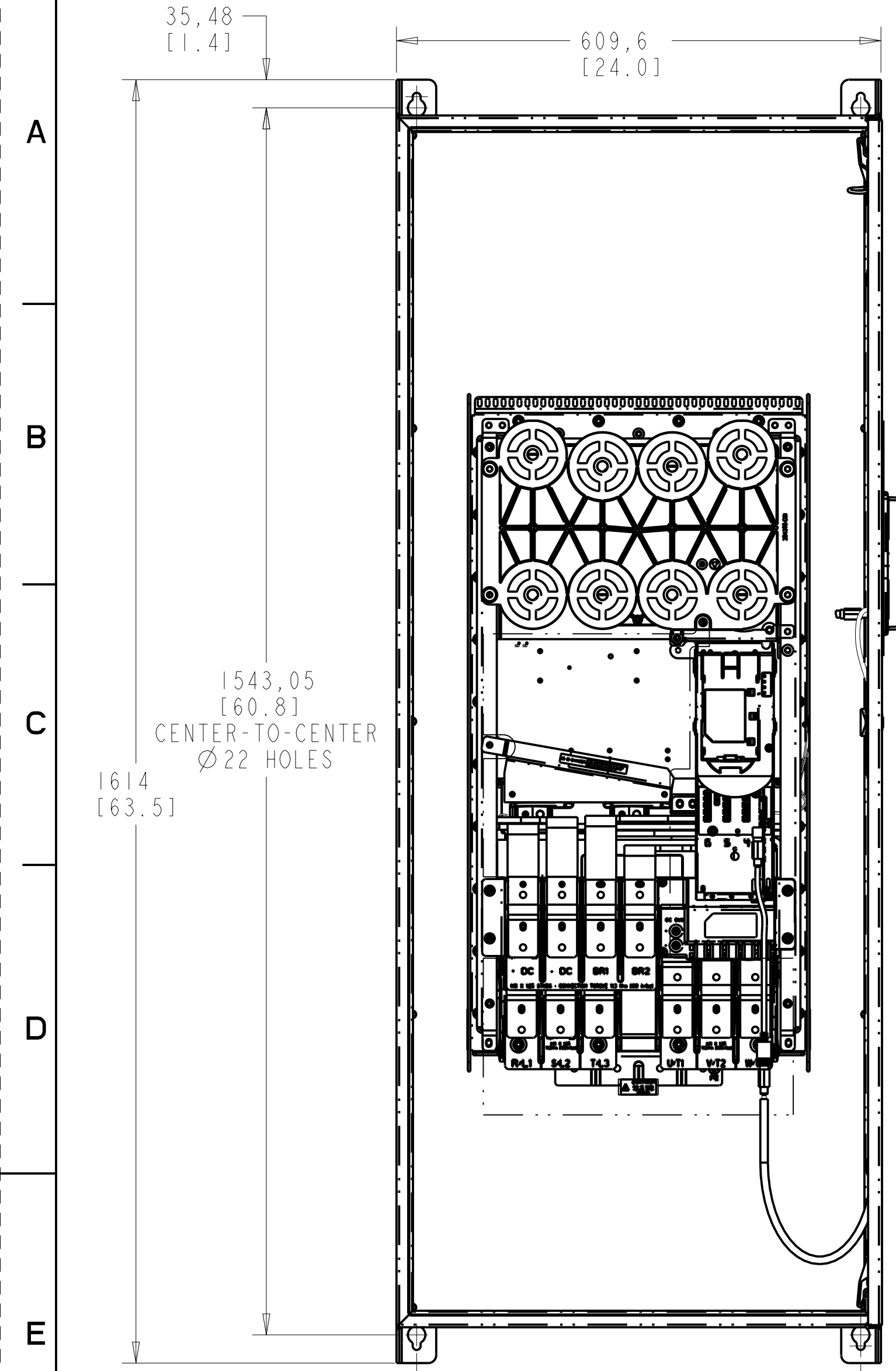


DETAIL B
J-BOX LEG SLOTS
TYPICAL 4-PLACES
SCALE 0.500

**TYPE 1 W/JUNCTION-BOX
DRIVE DIMENSIONS**

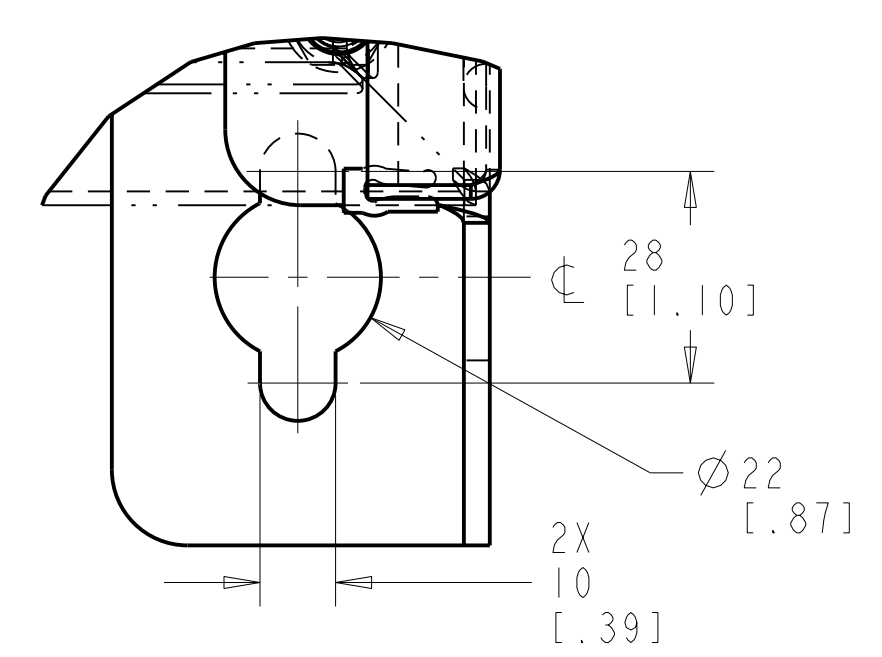
Rockwell Automation OUTLINE DRAWING FRAME-7 POWERFLEX 750 SERIES		CONFIDENTIAL AND PROPRIETARY INFORMATION THIS DOCUMENT CONTAINS CONFIDENTIAL AND PROPRIETARY INFORMATION OF ROCKWELL AUTOMATION, INC. AND MAY NOT BE USED, COPIED OR DISCLOSED TO OTHERS, EXCEPT WITH THE AUTHORIZED WRITTEN PERMISSION OF ROCKWELL AUTOMATION, INC.	
		Sheet 4 Of 5	Ver
Drawn by: RASAVATS	Date: 08-17-09	D	357130-6
			02

1 2 3 4 5 6 7 8

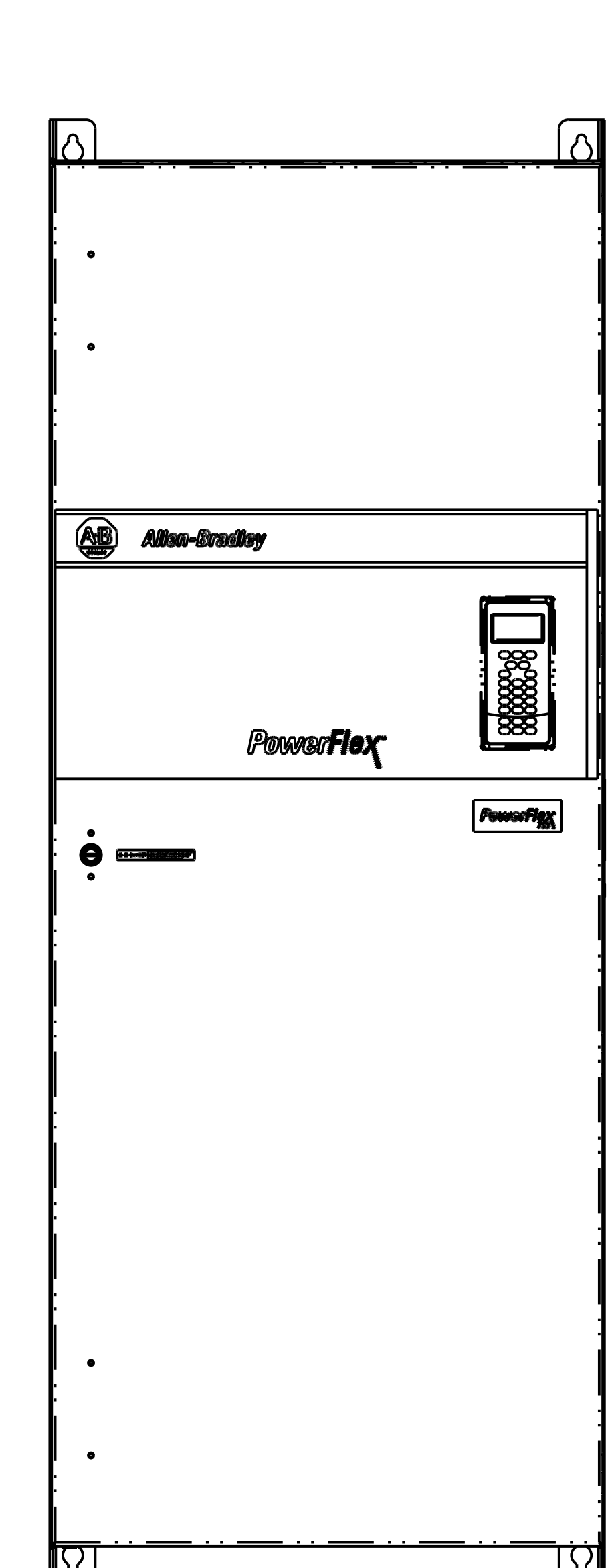


NEMA TYPE-12 ENCLOSURE WITH DOOR OPEN

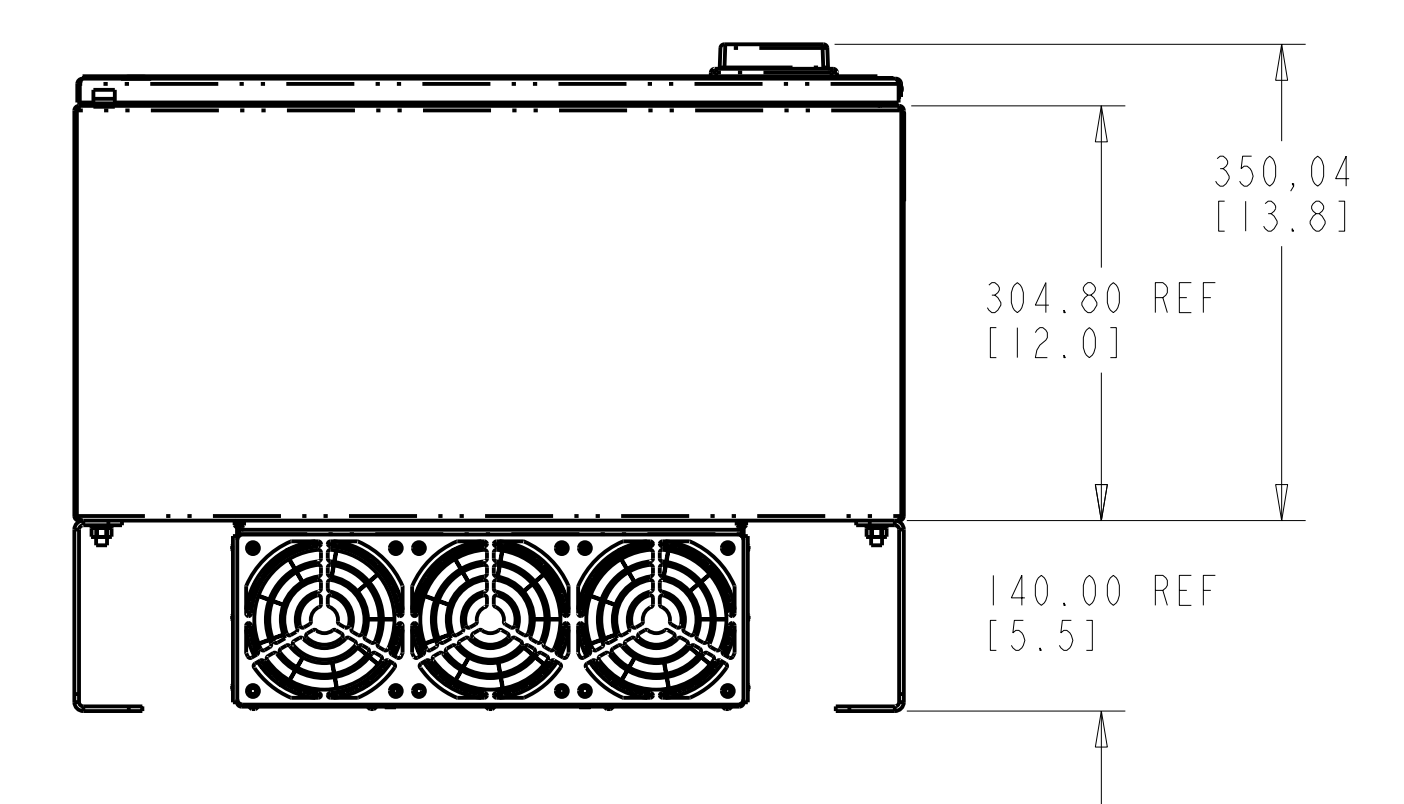
4X
 $\varnothing 19.05$
 [.75]
 LIFTING HOLES



ENCLOSURE MOUNTING
 DETAIL
 TYPICAL 4-PLACES
 SCALE 1.000



NEMA TYPE-12 ENCLOSURE WITH DOOR CLOSED



Rockwell Automation OUTLINE DRAWING FRAME-7 POWERFLEX 750 SERIES		CONFIDENTIAL AND PROPRIETARY INFORMATION THIS DOCUMENT CONTAINS CONFIDENTIAL AND PROPRIETARY INFORMATION OF ROCKWELL AUTOMATION, INC. AND MAY NOT BE USED, COPIED OR DISCLOSED TO OTHERS, EXCEPT WITH THE AUTHORIZED WRITTEN PERMISSION OF ROCKWELL AUTOMATION, INC.	
		Sheet 5 Of 5	Ver
Drawn by: RASAVATS	Date: 10-27-09	D	357130-6 02