

UL TYPE-1 DRIP HOOD, OPTIONAL

HUMAN INTERFACE MODULE (HIM), OPTIONAL

CONTROL BOARD

MIXING FAN

POWER TERMINAL BLOCK

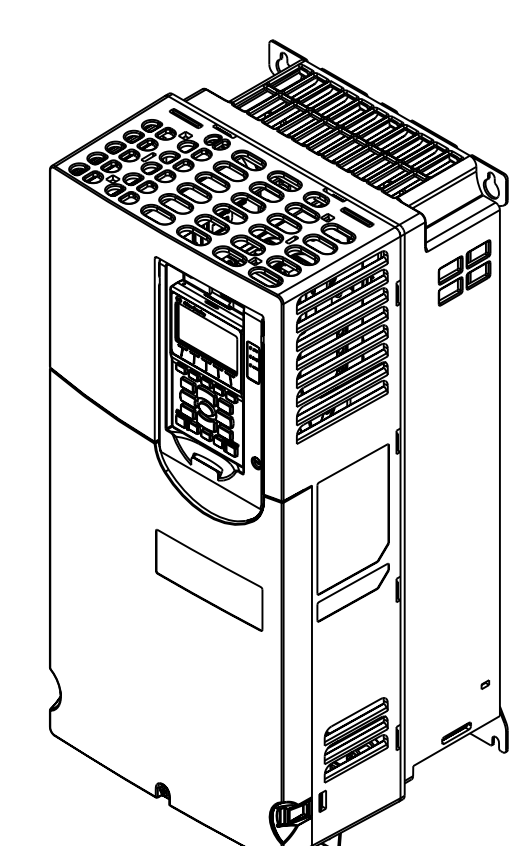
EMC PLATE, OPTIONAL

CONDUIT BOX, OPTIONAL

COMMUNICATION CABLE ENTRY 2 PLACES

OPEN DRIVE WITH COVER, AND HIM BEZEL REMOVED

NOTES:
1.1. DIMENSIONS IN [] ARE IN INCHES.

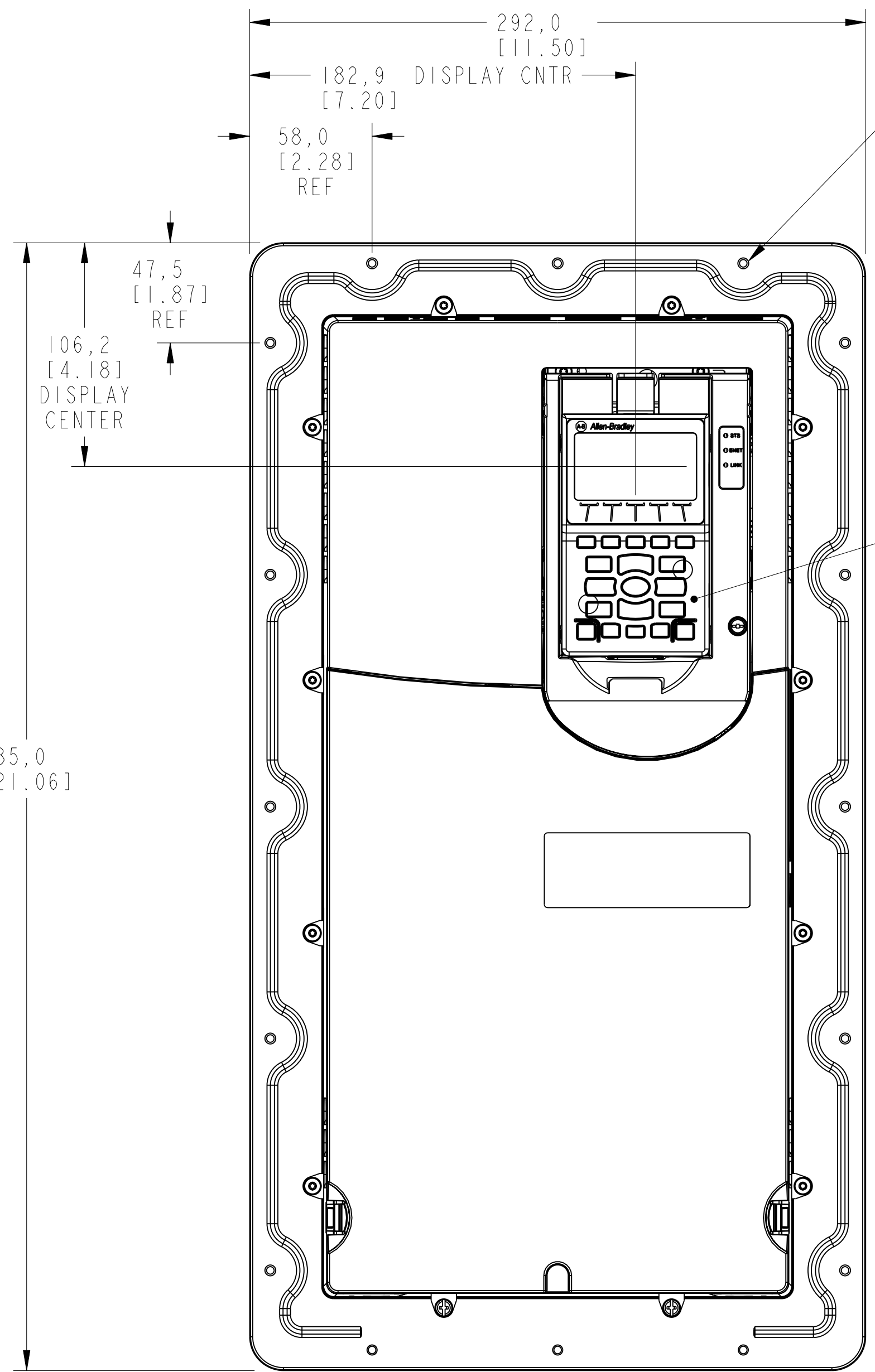
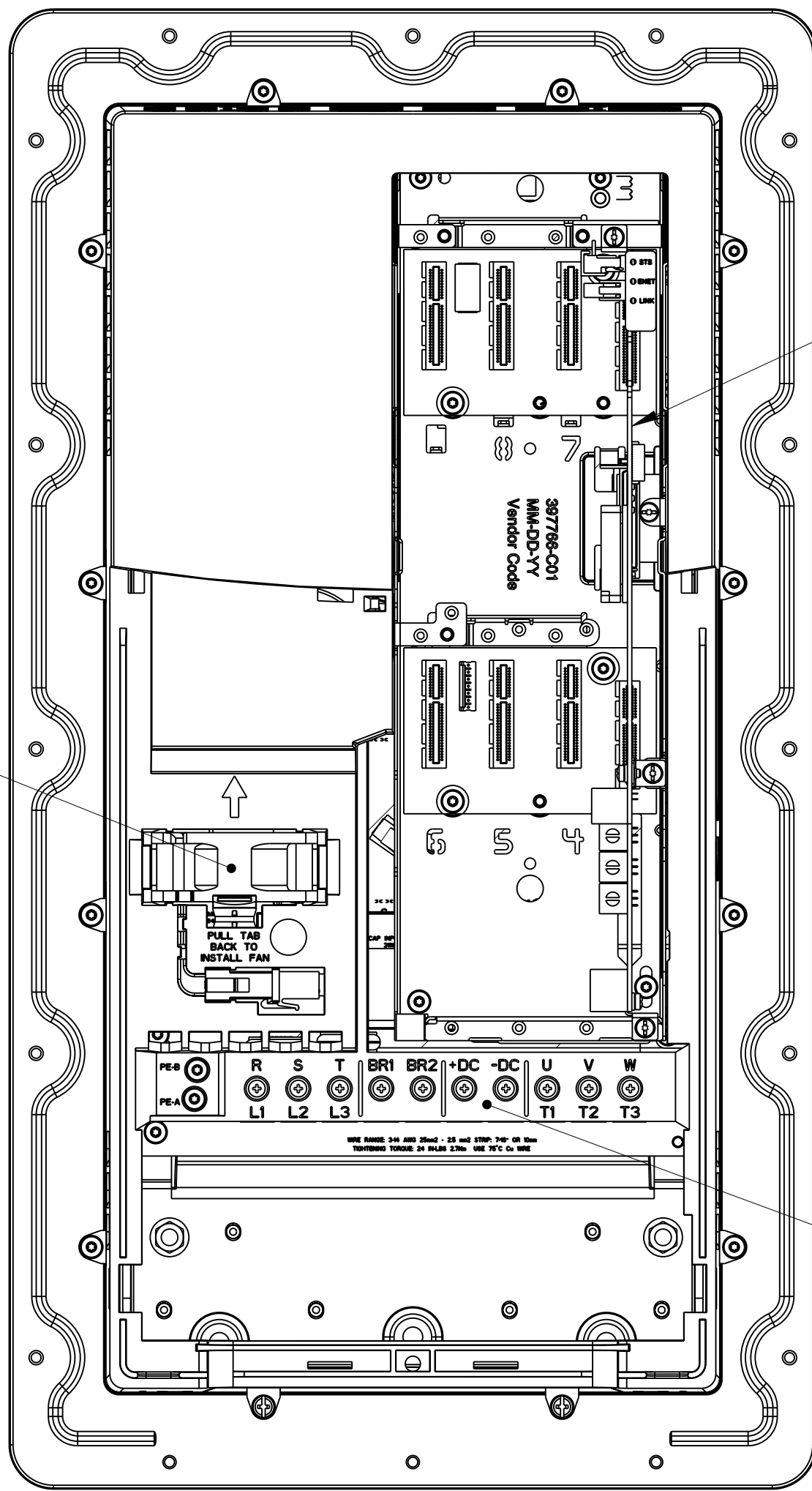


PARTS MUST CONFORM TO APPLICABLE ROCKWELL AUTOMATION MANUFACTURING STANDARDS	
CAD DOCUMENT	
FILE NAME	396828-6

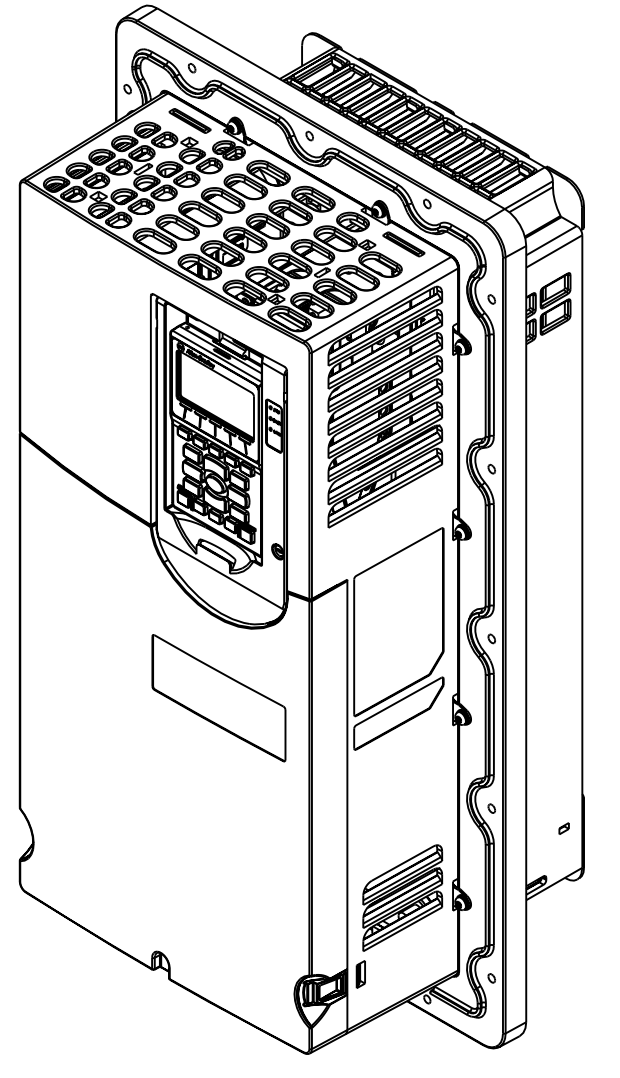
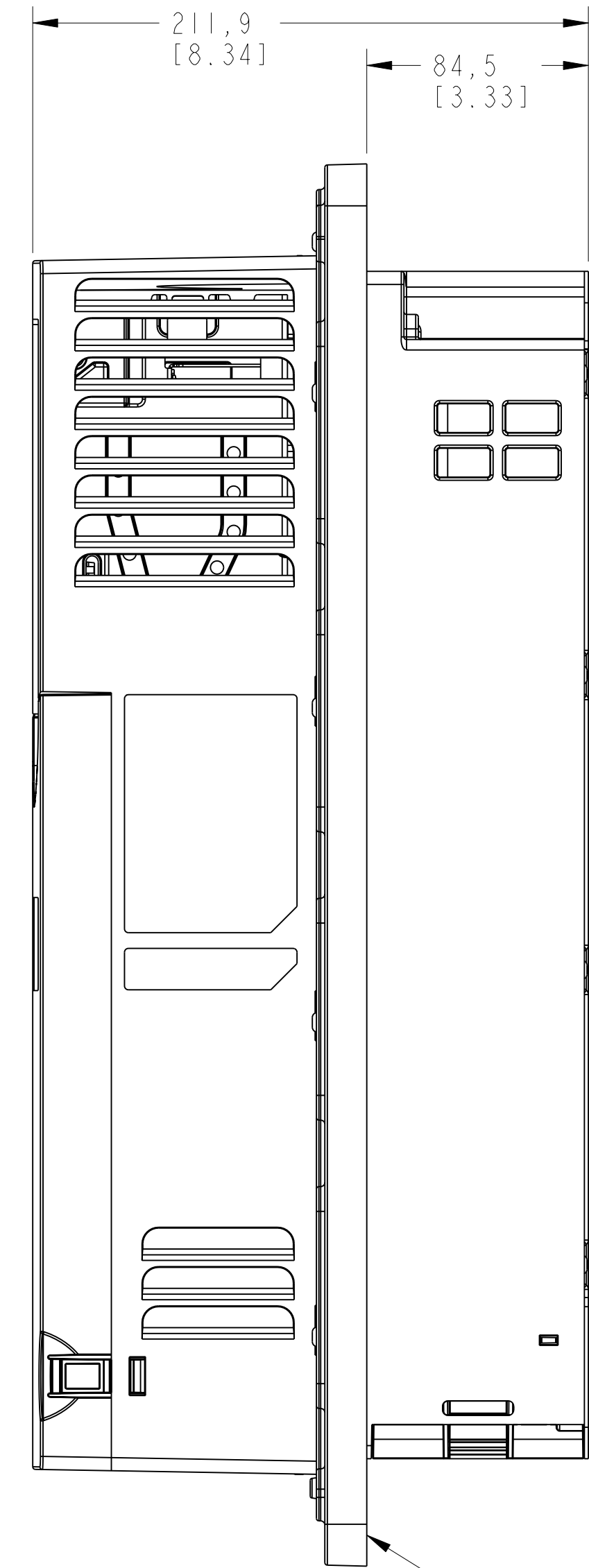
REFERENCES		OUTLINE		CONFIDENTIAL AND PROPRIETARY INFORMATION THIS DOCUMENT CONTAINS CONFIDENTIAL AND PROPRIETARY INFORMATION OF ROCKWELL AUTOMATION, INC. AND MAY NOT BE USED, COPIED OR DISCLOSED TO OTHERS, EXCEPT WITH THE AUTHORIZED WRITTEN PERMISSION OF ROCKWELL AUTOMATION, INC.
REVISION AUTHORIZATION	DIMENSIONS APPLY BEFORE SURFACE TREATMENT DIMENSIONS IN MILLIMETERS	FRAME 4 POWERFLEX 750 SERIES		
TOLERANCES UNLESS OTHERWISE SPECIFIED		Rockwell Automation DR. R. MICHALSKI DATE 04-20-07 CHKD. W. TOBIAS DATE 8-21-07 APPD. B. WEISS DATE 8-21-07		SHEET 1 OF 4 DWG. SIZE D 396828-6
03	1033267	.XX:±	N/A	
02	1032021	ANGLES:±	N/A	
01	1028653			

1 2 3 4 5 6 7 8

A
B
C
D
E
F
G
H

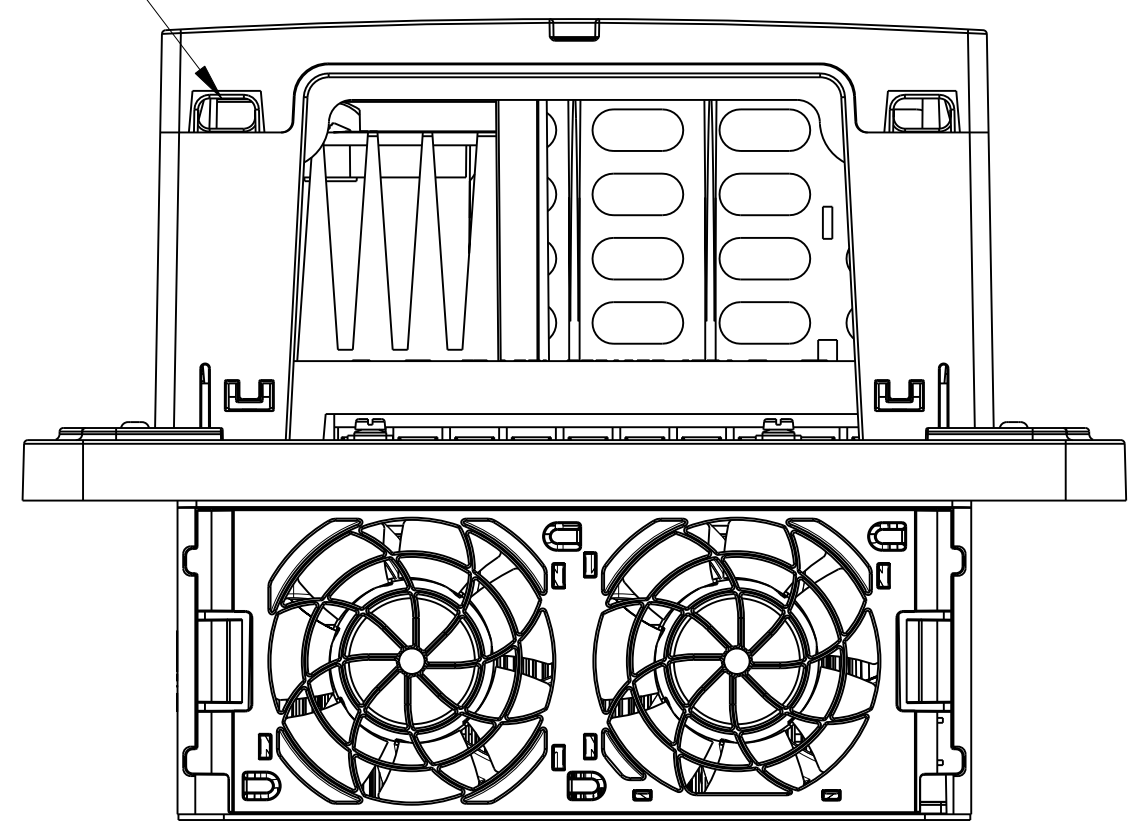


SEE "4X PANEL CUTOUT" ON SHEET 4



TYPE 4X/IP66 FLANGE MOUNT DRIVE WITH COVER, AND HIM BEZEL REMOVED

COMMUNICATION CABLE ENTRY 2 PLACES



PARTS MUST CONFORM TO APPLICABLE ROCKWELL AUTOMATION MANUFACTURING STANDARDS

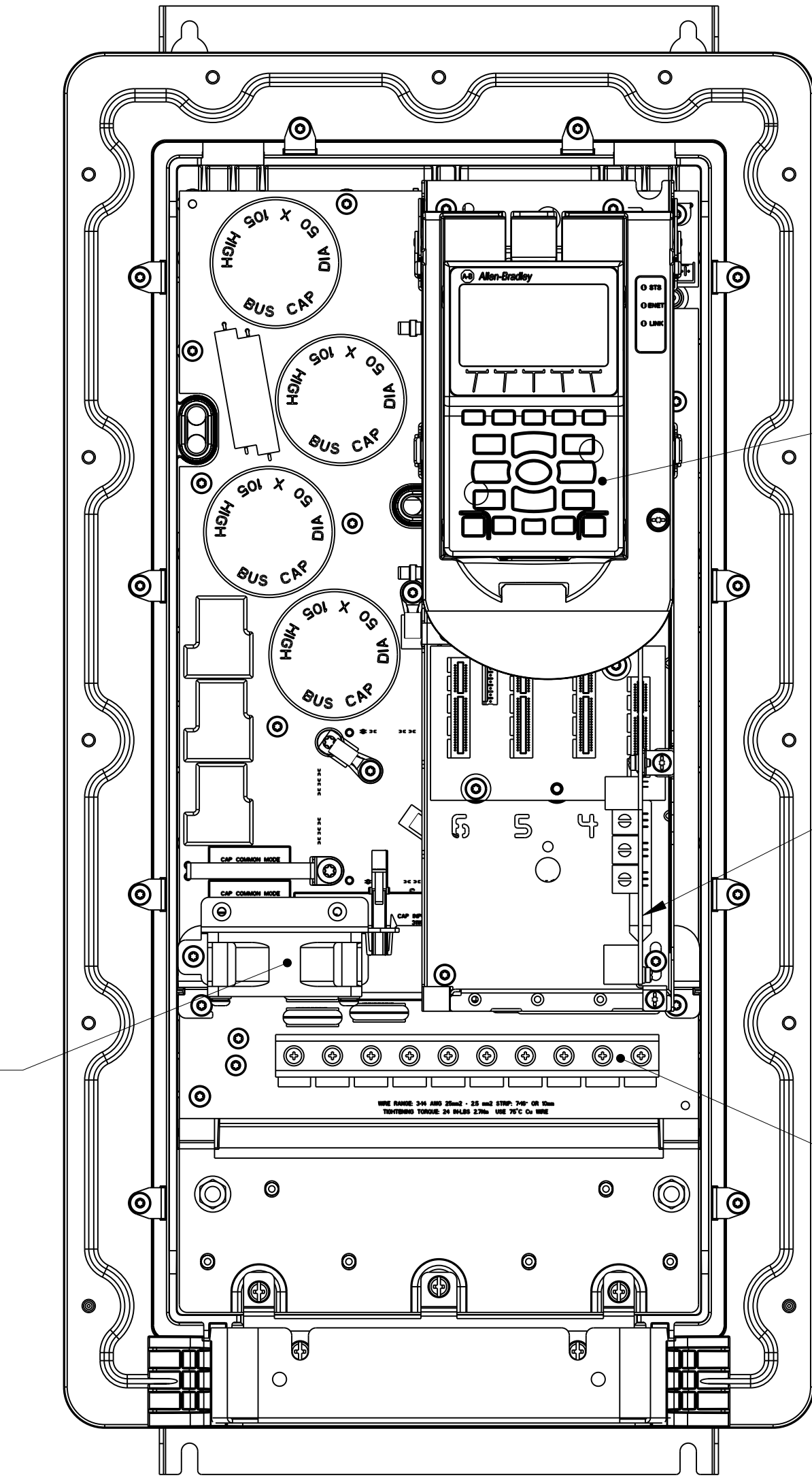
CAD DOCUMENT

FILE NAME 396828-6

REFERENCES		DIMENSIONS APPLY BEFORE SURFACE TREATMENT		OUTLINE		CONFIDENTIAL AND PROPRIETARY INFORMATION THIS DOCUMENT CONTAINS CONFIDENTIAL AND PROPRIETARY INFORMATION OF ROCKWELL AUTOMATION, INC. AND MAY NOT BE USED, COPIED OR DISCLOSED TO OTHERS, EXCEPT WITH THE AUTHORIZED WRITTEN PERMISSION OF ROCKWELL AUTOMATION, INC.
REVISION	AUTHORIZATION	DIMENSIONS IN MILLIMETERS		FRAME 4	POWERFLEX 750 SERIES	
03	1033267	.X:±	N/A	DR. R. MICHALSK	DATE 04-20-07	SHEET 2 OF 4
02	1032021	.XX:±	N/A	CHKD. W.TOBIAS	DATE	DWG. SIZE
01	1028653	ANGLES:±	N/A	APPD. B.WEISS	DATE	D

Rockwell Automation

396828-6



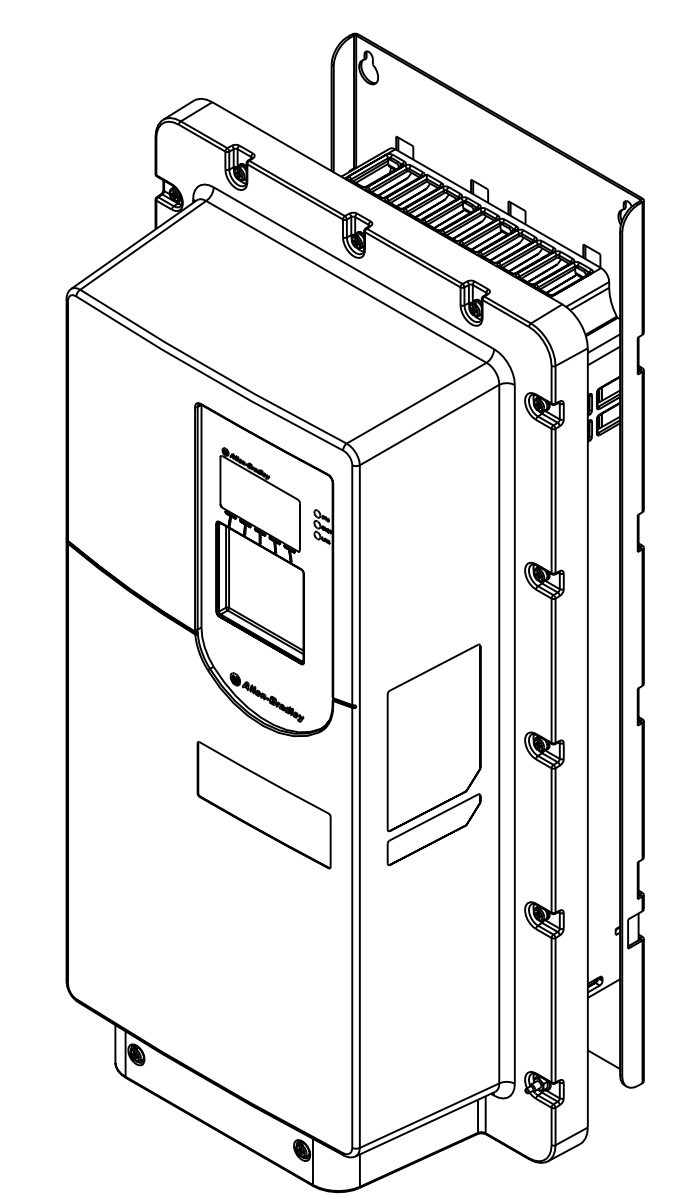
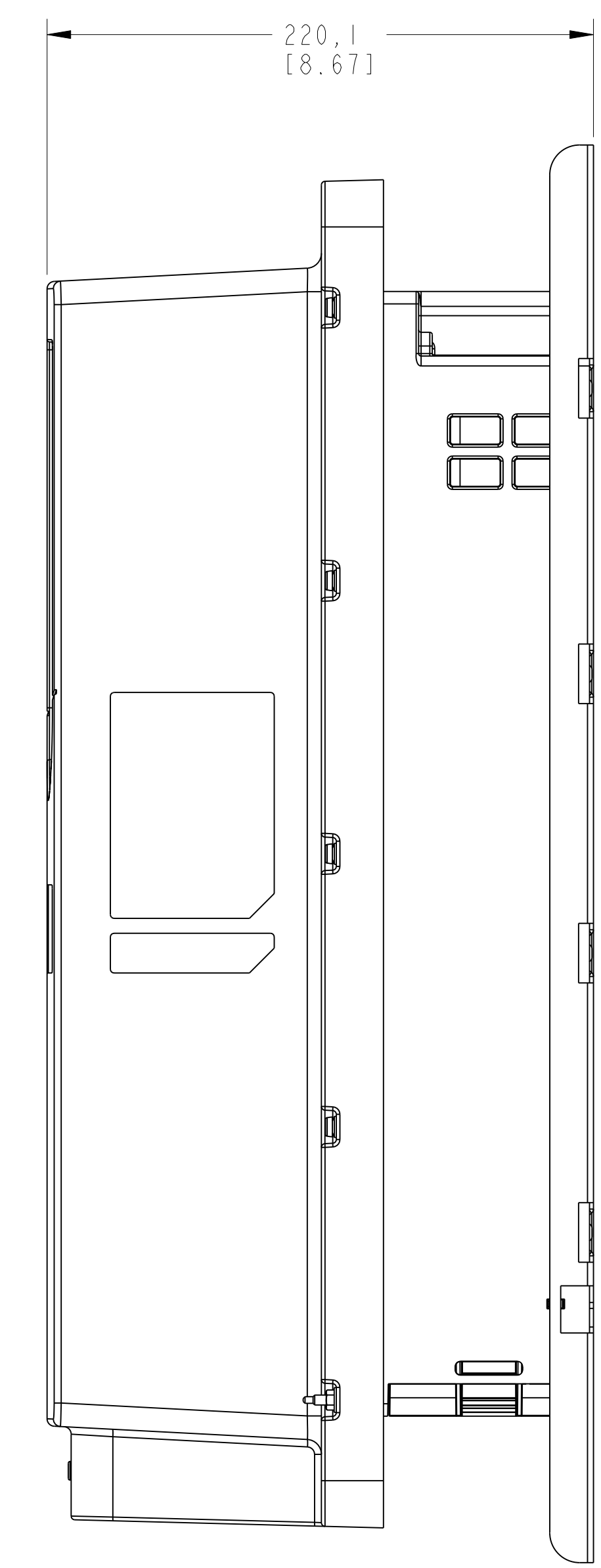
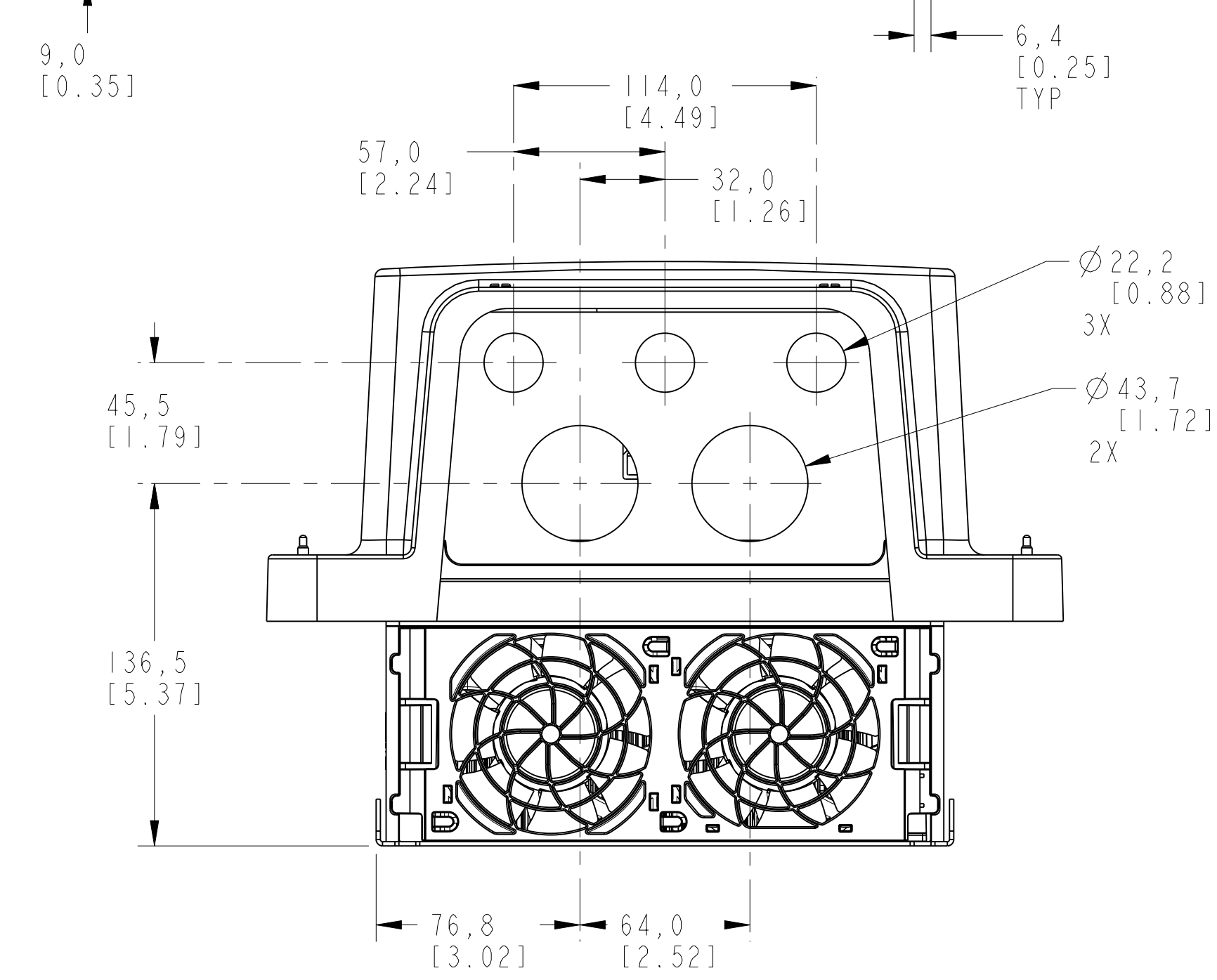
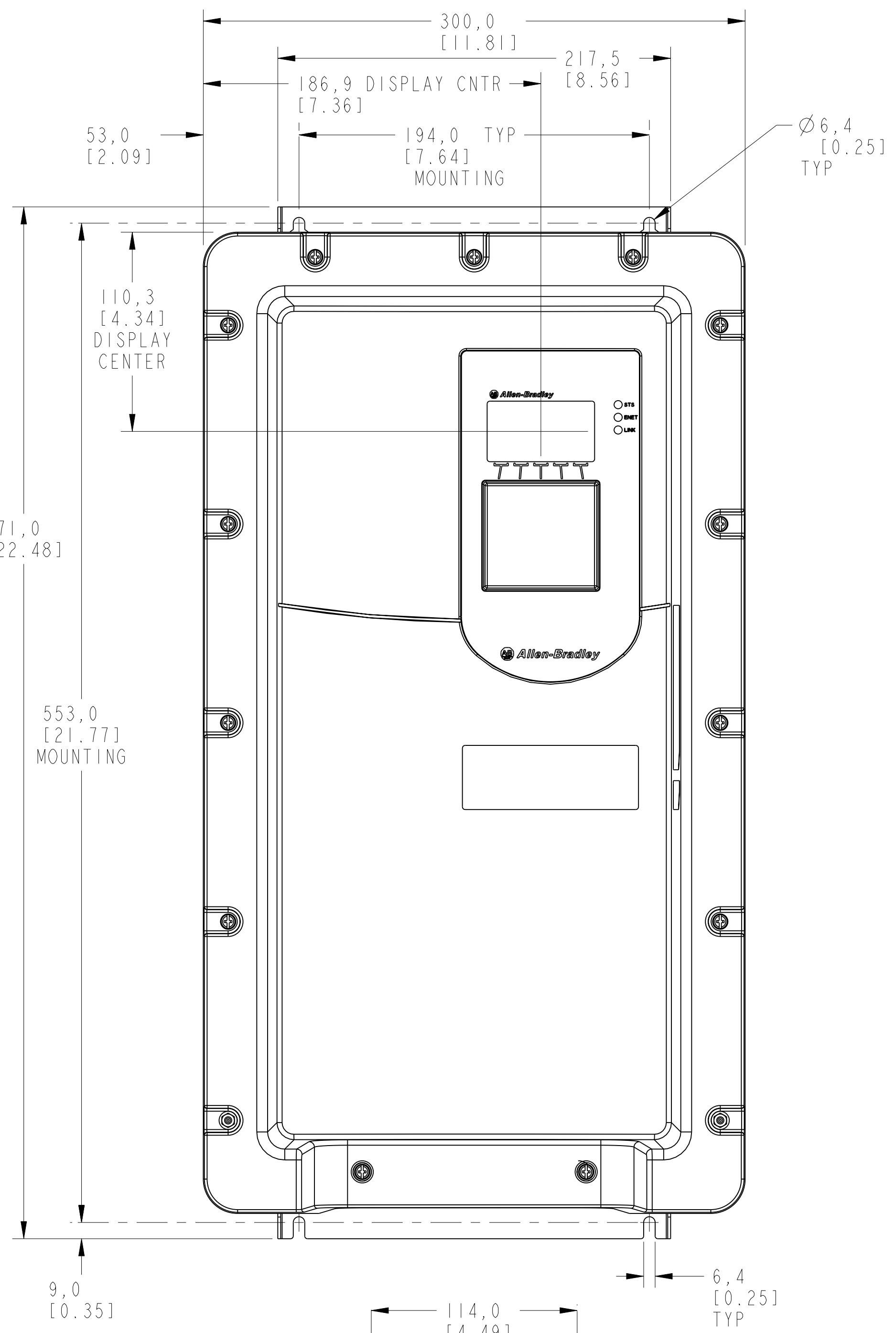
HUMAN INTERFACE
MODULE (HIM),
OPTIONAL

CONTROL BOARD

POWER TERMINAL
BLOCK

MIXING FAN

TYPE 12 DRIVE WITH COVER/SHIELD REMOVED



PARTS MUST CONFORM TO
APPLICABLE ROCKWELL AUTOMATION
MANUFACTURING STANDARDS

CAD DOCUMENT

FILE NAME: 396828-6

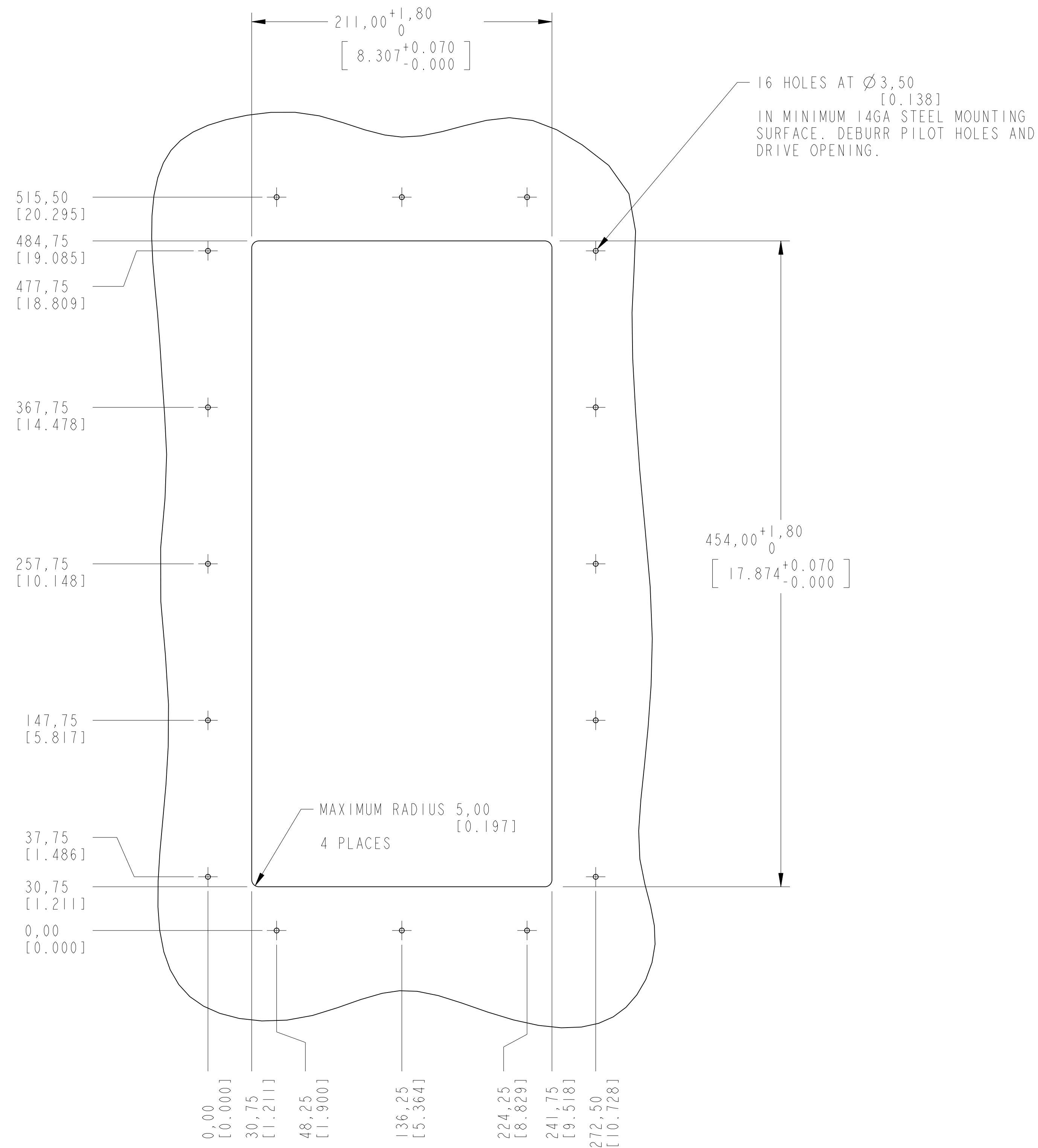
REFERENCES		OUTLINE		CONFIDENTIAL AND PROPRIETARY INFORMATION THIS DOCUMENT CONTAINS CONFIDENTIAL AND PROPRIETARY INFORMATION OF ROCKWELL AUTOMATION, INC. AND MAY NOT BE USED, COPIED OR DISCLOSED TO OTHERS, EXCEPT WITH THE AUTHORIZED WRITTEN PERMISSION OF ROCKWELL AUTOMATION, INC.
REVISION	AUTHORIZATION	FRAME 4	POWERFLEX 750 SERIES	
03	1033267	DR. R. MICHALSKI	DATE 04-20-07	SHEET 3 OF 4 DWG. SIZE 396828-6
02	1032021	CHKD. W. TOBIAS	DATE 8-21-07	
01	1028653	APPD. B. WEISS	DATE 8-21-07	

1 2 3 4 5 6 7 8

A
B
C
D
E
F
G
H

NOTE:

4.1. MOUNTING HARDWARE SHIPPED WITH FLANGE MOUNT DRIVE.



FLANGE MOUNT DRIVE PANEL CUTOUT

PARTS MUST CONFORM TO APPLICABLE ROCKWELL AUTOMATION MANUFACTURING STANDARDS

CAD DOCUMENT

FILE NAME 396828-6

REFERENCES		DIMENSIONS APPLY BEFORE SURFACE TREATMENT DIMENSIONS IN MILLIMETERS		OUTLINE FRAME 4 POWERFLEX 750 SERIES		CONFIDENTIAL AND PROPRIETARY INFORMATION THIS DOCUMENT CONTAINS CONFIDENTIAL AND PROPRIETARY INFORMATION OF ROCKWELL AUTOMATION, INC. AND MAY NOT BE USED, COPIED OR DISCLOSED TO OTHERS, EXCEPT WITH THE AUTHORIZED WRITTEN PERMISSION OF ROCKWELL AUTOMATION, INC.	
REVISION AUTHORIZATION		TOLERANCES UNLESS OTHERWISE SPECIFIED		Rockwell Automation		SHEET 4 OF 4	
		.X:± N/A					
03	1033267	.XX:± N/A		DR. R. MICHALSKI	DATE 04-20-07	DWG. SIZE D	396828-6
02	1032021	ANGLES:± N/A		CHKD. W. TOBIAS	DATE 8-21-07		
01	1028653			APPD. B. WEISS	DATE 8-21-07		