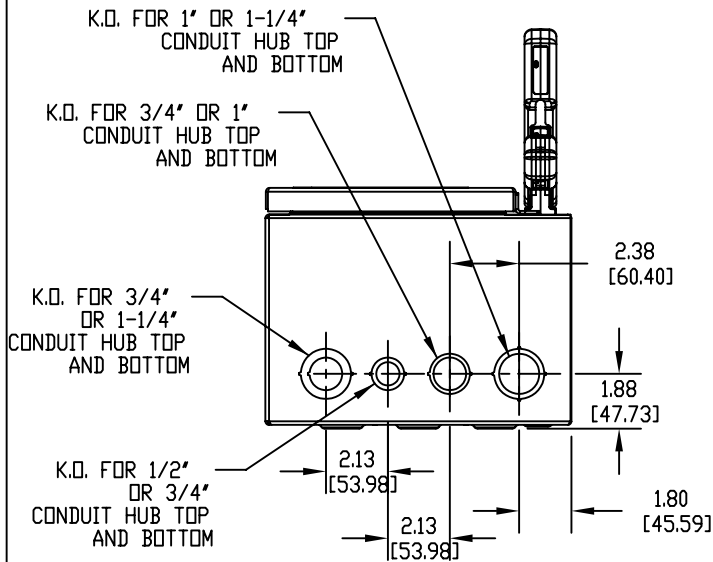
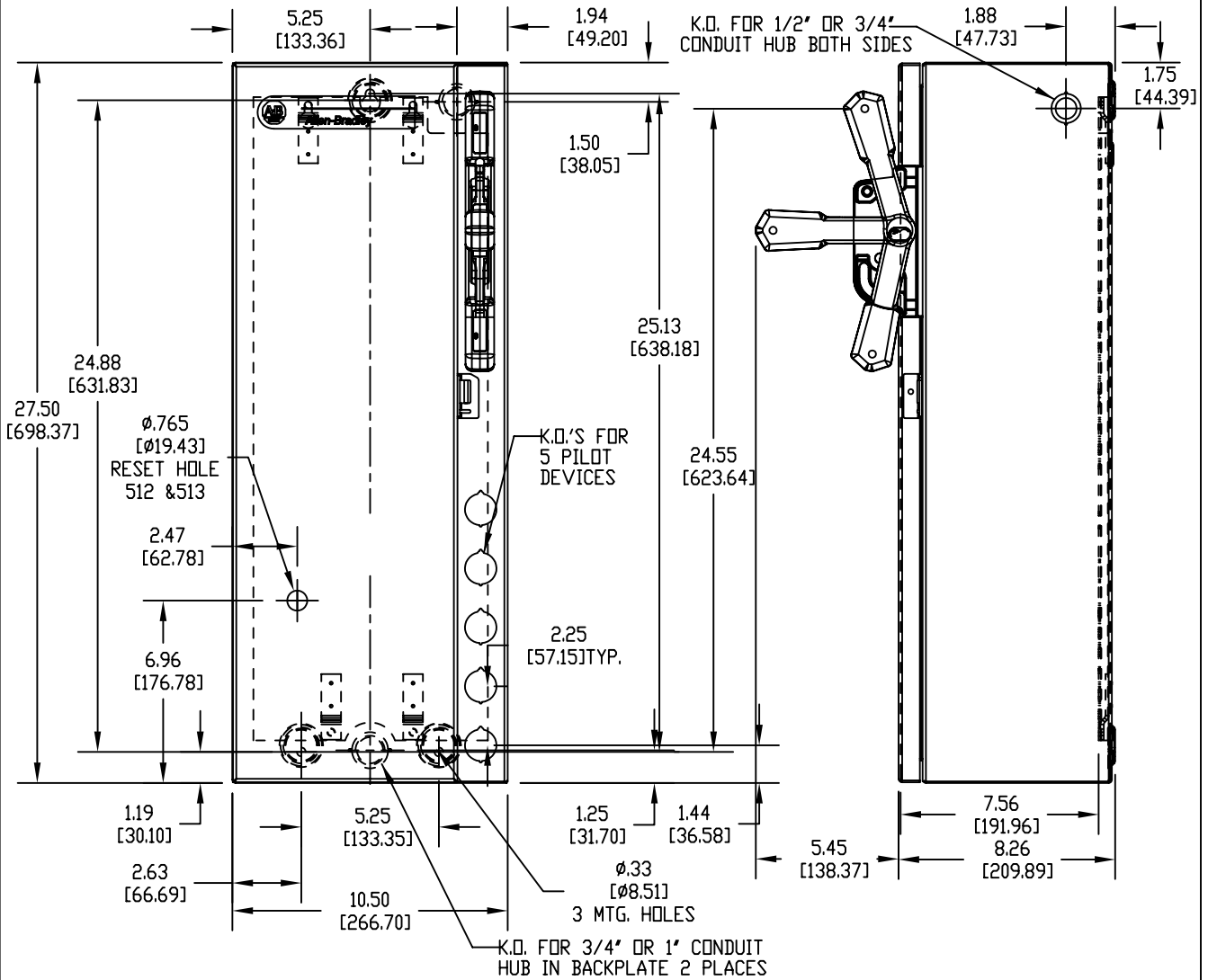


# DRAWING FOR 10.50" X 27.50" NEMA TYPE 1 ENCLOSURE



BOTTOM VIEW

THIS DWG APPLIES TO:

BUL. 502-502L - NEMA SIZE 0-1-2  
 BUL. 503-503L - NEMA SIZE 0-1-2  
 BUL. 506X - NEMA SIZE 0-1-2  
 100A 250V MAX.  
 60A-600V MAX.  
 130VA CONTROL TRANSFORMER MAX.

BUL. 507X - NEMA SIZE 0-1-2  
 130 VA CONTROL TRANSFORMER MAX.

BUL. 512 - NEMA SIZE 0-1-2  
 100A-250V MAX.  
 60A-600V MAX.

BUL. 513 - NEMA SIZE 0-1-2

**NOTES:**

1. ALL DIM'S. SHOWN IN PARENTHESES ARE IN MILLIMETERS.
2. ALL DIM'S. ARE APPROXIMATE AND NOT INTENDED FOR MANUFACTURING PURPOSES