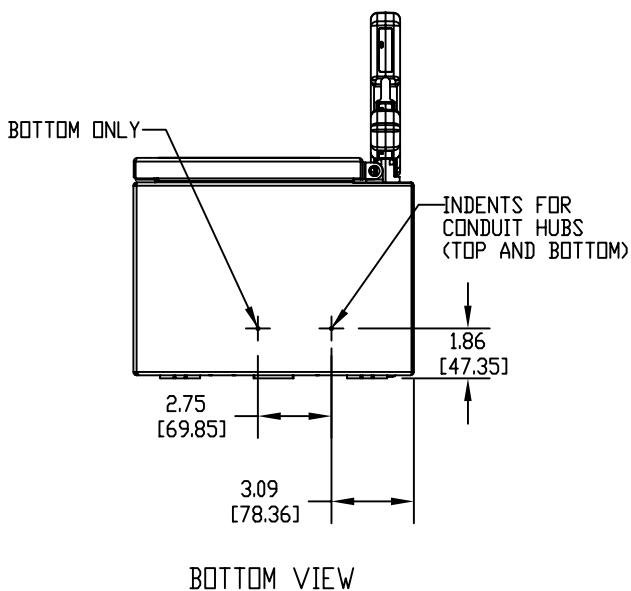
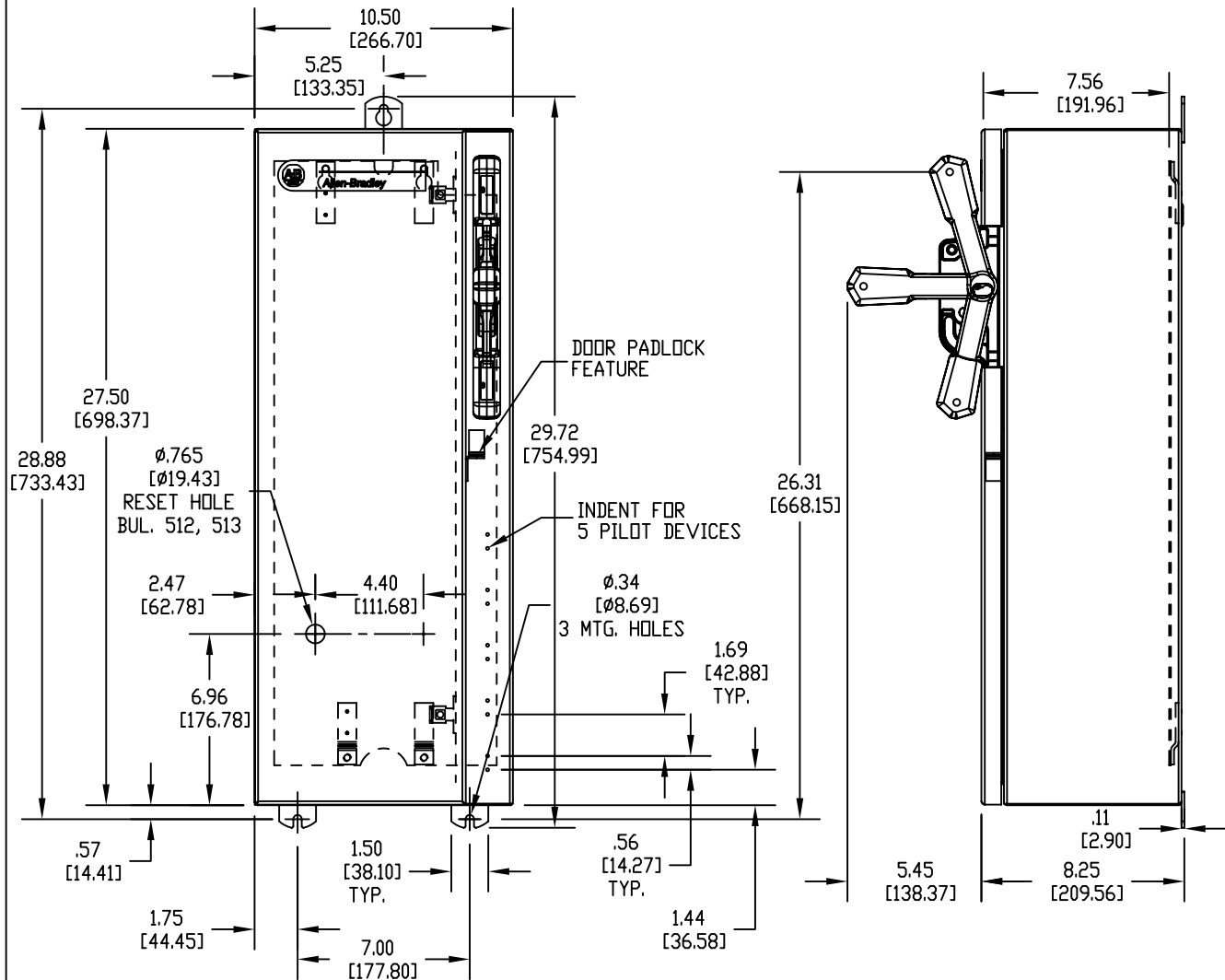


DRAWING FOR 10.50" X 27.50"
NEMA TYPE 4 STAINLESS ST. ENCL.



THIS DWG APPLIES TO:

BUL. 502-502L - NEMA SIZE 0-1-2
 BUL. 503-503L - NEMA SIZE 0-1-2
 BUL. 506X - NEMA SIZE 0-1-2
 100A 250V MAX.
 60A-600V MAX.
 130 VA CONTROL TRANSFORMER MAX.

BUL. 507X - NEMA SIZE 0-1-2
 130 VA CONTROL TRANSFORMER MAX.

BUL. 512 - NEMA SIZE 0-1-2
 100A-250V MAX.
 60A-600V MAX.

BUL. 513 - NEMA SIZE 0-1-2

NOTES:

1. ALL DIM'S. SHOWN IN PARENTHESES ARE IN MILLIMETERS.

2. ALL DIM'S. ARE APPROXIMATE AND NOT INTENDED FOR MANUFACTURING PURPOSES