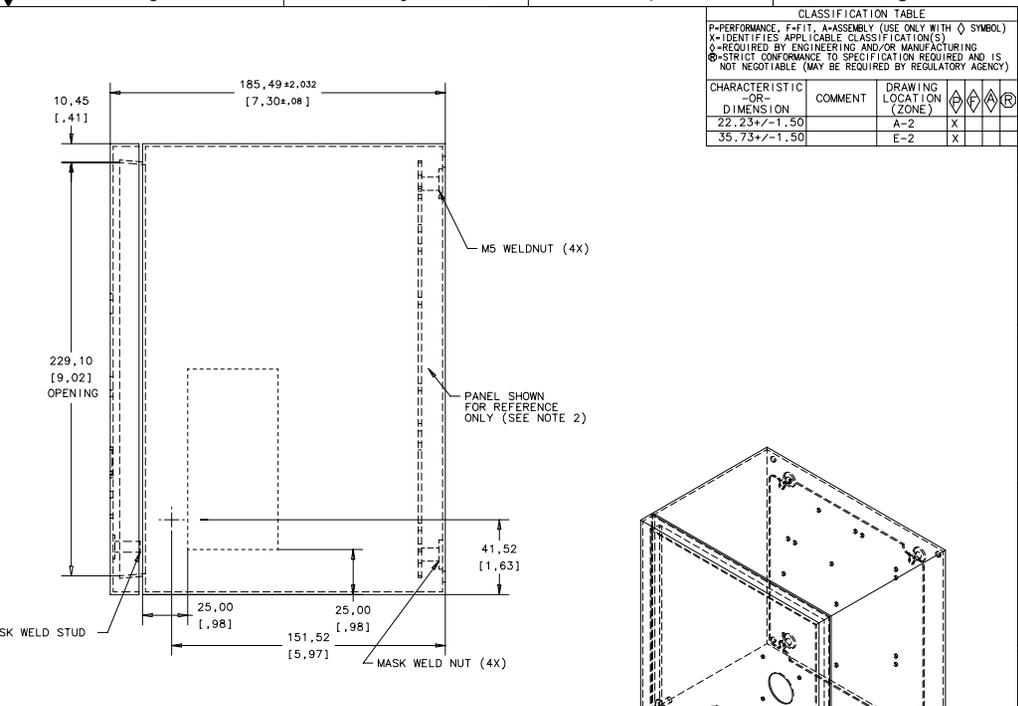
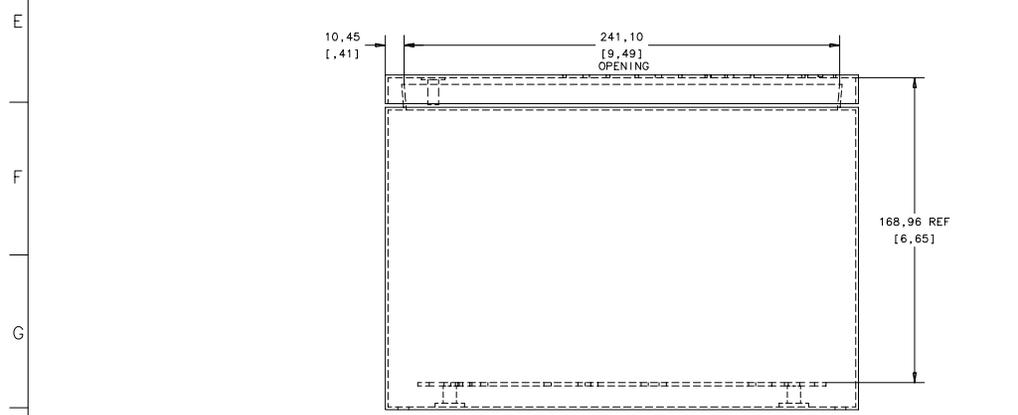
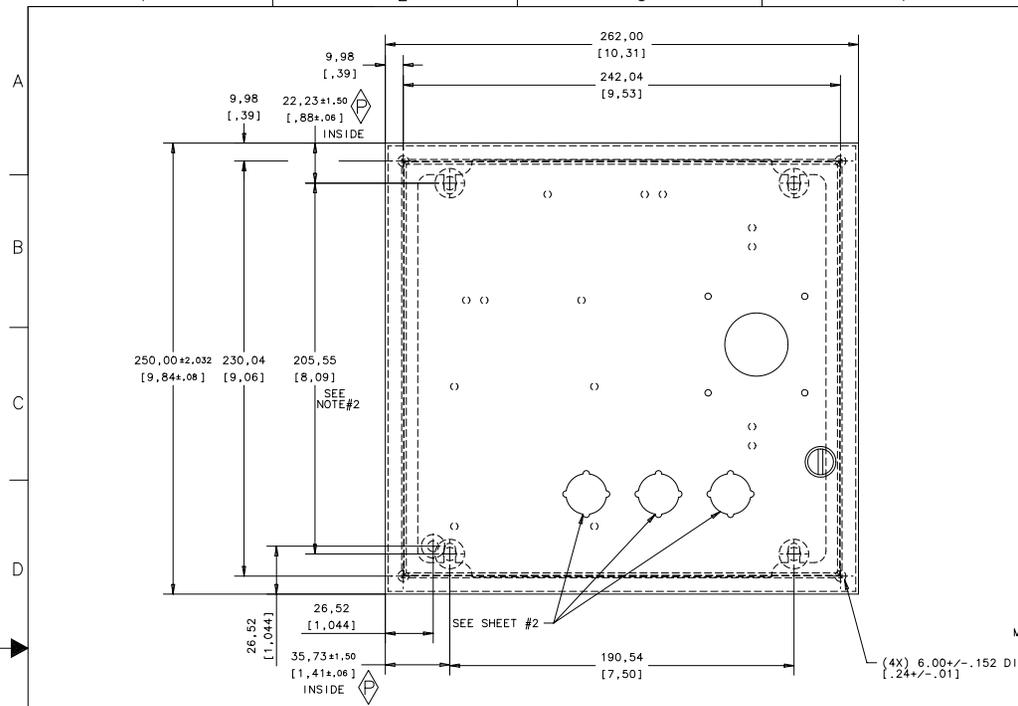


CLASSIFICATION TABLE						
P-PERFORMANCE, F-FIT, A-ASSEMBLY (USE ONLY WITH \diamond SYMBOL)						
X-IDENTIFIES APPLICABLE CLASSIFICATION(S)						
R-REQUIRED BY ENGINEERING AND/OR MANUFACTURING						
S-STRICT CONFORMANCE TO SPECIFICATION REQUIRED AND IS NOT NEGOTIABLE (MAY BE REQUIRED BY REGULATORY AGENCY)						
CHARACTERISTIC OR DIMENSION	COMMENT	DRAWING LOCATION (ZONE)	\diamond	X	R	S
22.23 \pm 1.50		A-2	X			
35.73 \pm 1.50		E-2	X			



- GENERAL NOTES:
- ENCLOSURE TO MEET THE FOLLOWING REQUIREMENTS UL LISTED TYPE 3, 4 AND 12; CSA CERTIFIED TYPE 3, 4 AND 12; IEC IP66. OEM UL LABEL (HOFFMAN DWG# 87400575) (REF: PLACE LABEL ON INSIDE LOWER LEFT HAND SIDE OF ENCLOSURE)
 - DIMENSIONS MUST ALLOW FIT OF MOUNTING PLATE# 40754-312-01 (PURCHASED SEPARATELY)
 - ENCLOSURE BASE AND DOOR TO BE FINISHED WITH RAL 7035, TEXTURED LIGHT GRAY PAINT.
 - METAL GAGE REQUIREMENTS: #16 GAGE BASE AND DOOR.
 - THERE ARE TO BE NO PAINT SAGS OR RUNS.
 - HOOK MARKS ARE NOT ALLOWED.
 - ALLEN-BRADLEY BLUE SIGNATURE LOGO (ALLEN-BRADLEY, PART NO. 40009-108-01) TO BE INSTALLED ON OUTSIDE OF DOOR (NOT TO BE SUPPLIED OR INSTALLED BY VENDOR).
 - ENCLOSURE DOOR TO BE FLAT WITHIN .031 INCHES.
 - BULK PACKAGE FOR SHIPMENT TO ALLEN-BRADLEY.
 - INCLUDE SCREW KIT P/N 46137-001 (VENDOR SUPPLIED).

-02	2	40001-199
-01	4	40001-199
PART NO.	CHG. LTR.	WORKMANSHIP STANDARD

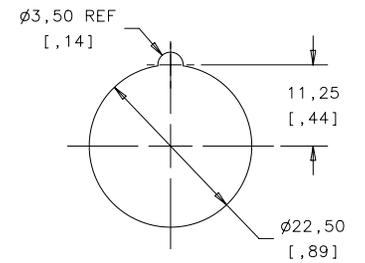
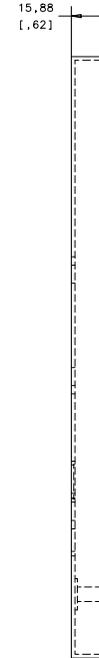
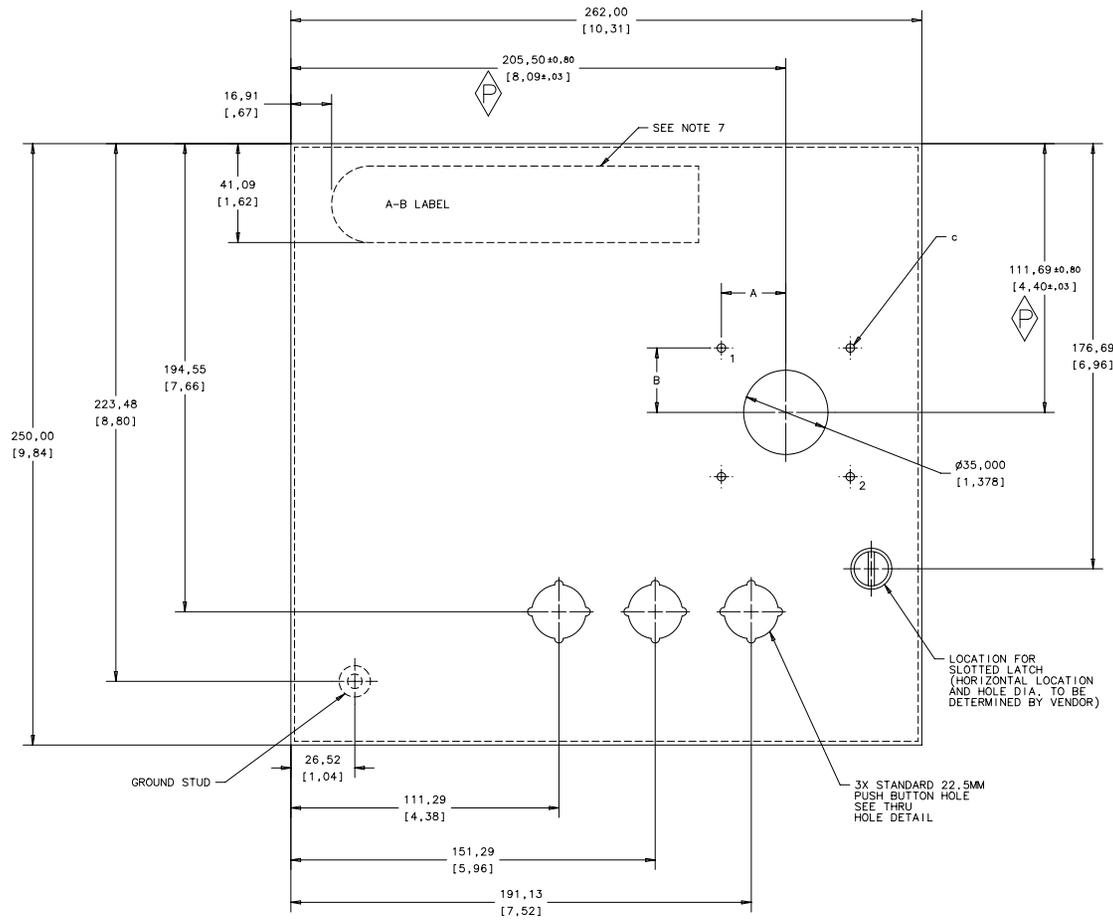
INDUSTRIAL CONTROL GROUP
MCAE CAD DOCUMENT
FILE NAME: 40754_305

PARTS MUST CONFORM TO APPLICABLE ALLEN-BRADLEY CO. MANUFACTURING STANDARD A-B STD-10000

REFERENCES		REVISION AUTHORIZATION		ENCLOSURE		THIS DRAWING IS THE PROPERTY OF THE ALLEN-BRADLEY CO., INC. AND MAY NOT BE COPIED, USED, OR DISCLOSED FOR ANY PURPOSE EXCEPT AS AUTHORIZED IN WRITING BY THE ALLEN-BRADLEY CO., INC. LOCATION: MILWAUKEE, WISCONSIN U.S.A.	
1	1111-00-1	DR.	CBARRETT	DATE	2/13/01	SHEET	1
2	2963-01	CHKD.	MJUTZ	DATE	2/13/01	OF	2
3	1004383	APPD.	PNOLDEN	DATE	2/13/01	DWG. NO.	40754-305
4	1009272						

1 2 3 4 5 6 7 8

CLASSIFICATION TABLE				
P=PERFORMANCE, F=FIT, A=ASSEMBLY (USE ONLY WITH A SYMBOL)				
X=IDENTIFIES APPLICABLE CLASSIFICATION(S)				
A=REQUIRED BY ENGINEERING AND/OR MANUFACTURING				
B=STRICT CONFORMANCE TO SPECIFICATION REQUIRED AND IS NOT NEGOTIABLE (MAY BE REQUIRED BY REGULATORY AGENCY)				
CHARACTERISTIC OR DIMENSION	COMMENT	DRAWING LOCATION (ZONE)		
205.50+/- .8	B-3		X	
111.69+/- .8	C-5		X	



THRU HOLE
DETAIL

Note: Holes 1 and 2 are not used for -02.

-02	25.00 [.98]	25.00 [.98]	2x ϕ 5.50 (0.219)
-01	26.75 [1.05]	26.75 [1.05]	4x ϕ 3.50 (0.140)

-02	2	40001-199
-01	4	40001-199

REV. NO.	DATE	BY	CHKD.	APPD.
1	111-00-1			
2	2963-01			
3	1004383			
4	1009272	.XXX: .125	DR. CBARRETT	DATE 2/13/01
		ANGLES: 1*	CHKD. MJUTZ	DATE 2/13/01
			APPD. PNOLDEN	DATE 2/13/01

REV. NO.	DATE	BY	CHKD.	APPD.
1	111-00-1			
2	2963-01			
3	1004383			
4	1009272	.XXX: .125	DR. CBARRETT	DATE 2/13/01
		ANGLES: 1*	CHKD. MJUTZ	DATE 2/13/01
			APPD. PNOLDEN	DATE 2/13/01

MPCB CAD DOCUMENT
PARTS MUST CONFORM TO APPLICABLE ALLEN-BRADLEY MANUFACTURING STANDARD A-B STD-10000

ENCLOSURE

THIS DRAWING IS THE PROPERTY OF THE ALLEN-BRADLEY CO., INC. AND MAY NOT BE COPIED, USED OR DISCLOSED FOR ANY PURPOSE EXCEPT AS AUTHORIZED IN WRITING BY THE ALLEN-BRADLEY CO., INC.
LOCATION: MILWAUKEE, WISCONSIN U.S.A.

SHEET 2 OF 2
DWG NO. 40754-305