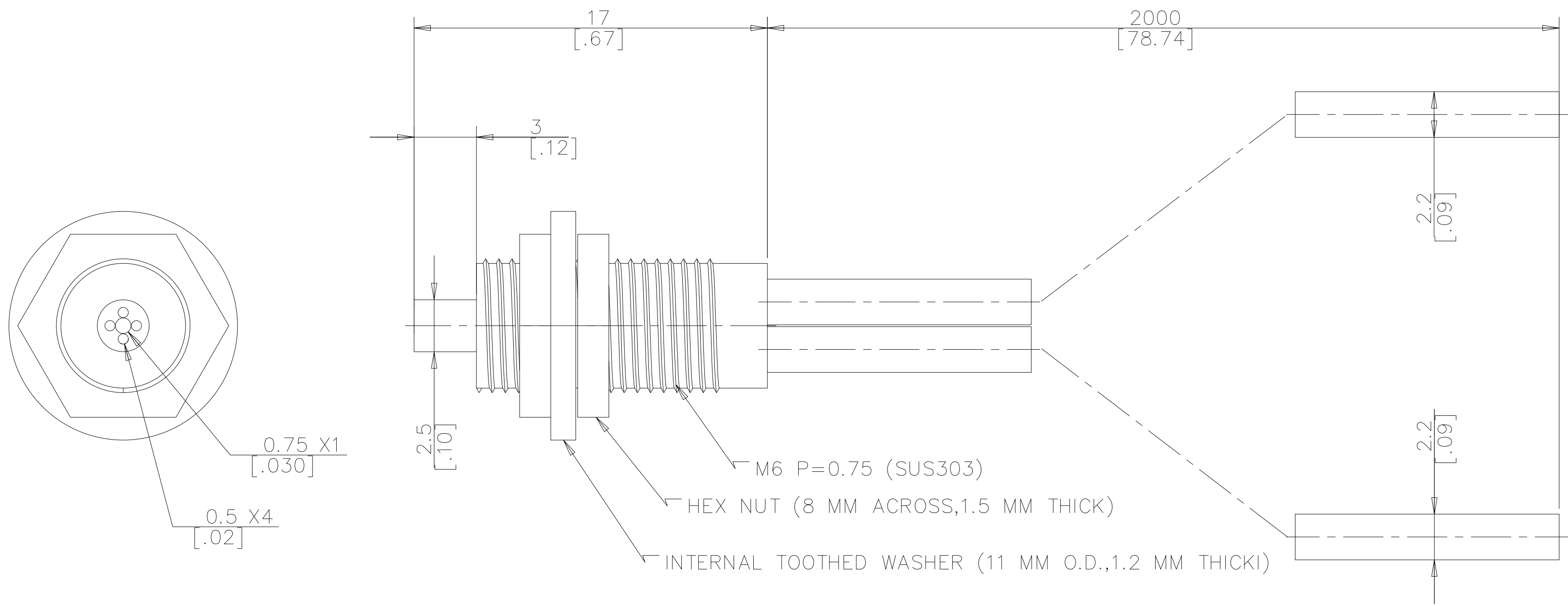


Rockwell Part Number	43PR-NKS61FS
Drawing	75007-055-11
Fiber Amplifier Diameter	2.2 mm
Core Diameter	1 x 0.75 mm & 4 x 0.5 mm
Flex Relief	No
Fiber Optic Material	Plastic
Fiber Optic Type	Diffuse (Bifurcated) – Coaxial
Sensing End Material	Stainless Steel
Fiber Tip Size	M6x0.75 & ø2.5
Minimum Bend Radius	30 mm
Jacket Material	Polyethylene
Temperature	- 30 °C to +70 °C
Fiber Optic Length	2 m (78 in)



NOTES:

- Standard Length of 78" in shown.
- Longer fiber optic cable lengths are available in increments of 36 inches (0.9 m) up to 50 Ft.(15.2 m).
Please contact your local Rockwell Automation Distributor for More Information.
- The tightening torque for the threaded part should be up to 0.8 Nm.

ALL DIMENSIONS ARE MM [INCHES]

SCALE 6:1

Rockwell Automation		CONFIDENTIAL AND PROPRIETARY INFORMATION. THIS DOCUMENT CONTAINS CONFIDENTIAL AND PROPRIETARY INFORMATION OF ROCKWELL AUTOMATION, INC. AND MAY NOT BE USED, COPIED OR DISCLOSED TO OTHERS, EXCEPT WITH THE AUTHORIZED WRITTEN PERMISSION OF ROCKWELL AUTOMATION, INC.	
43pr-nks61fs.drw		Sheet 1 Of 1	
PLASTIC FIBER OPTIC CABLE		Size	Ver
Drawn by: LTTS	Date: 07/03/18	C	