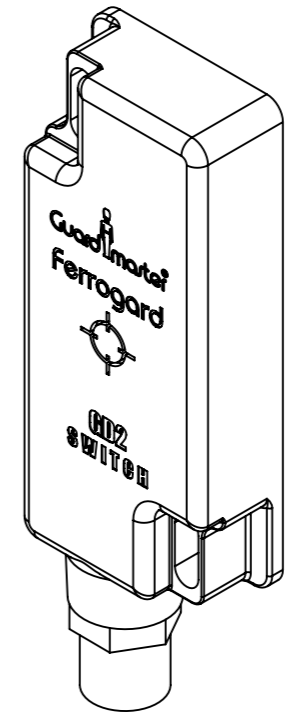
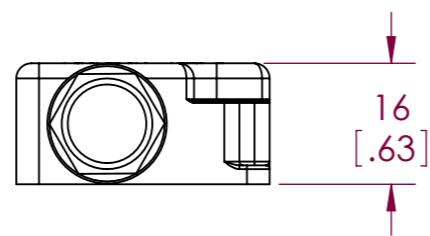
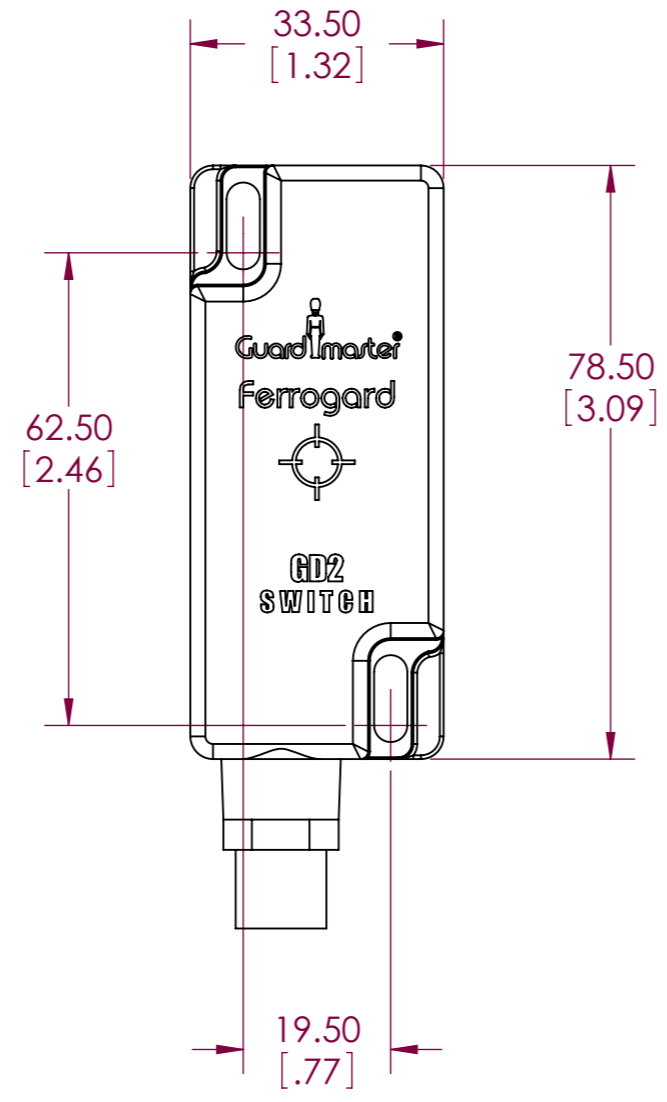
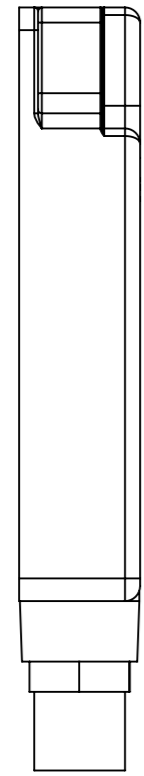


This drawing is the property of RockWell Automation & may not be used for any other purpose other than that for which it was supplied without the express written authority of RockWell Automation.

DRG No.
440N-G021XX



THIRD ANGLE PROJ. 	SCALE 1:1
MATERIAL	N/A
FINISH	N/A
TITLE	GD2 SWITCH

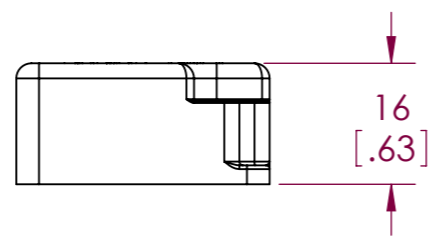
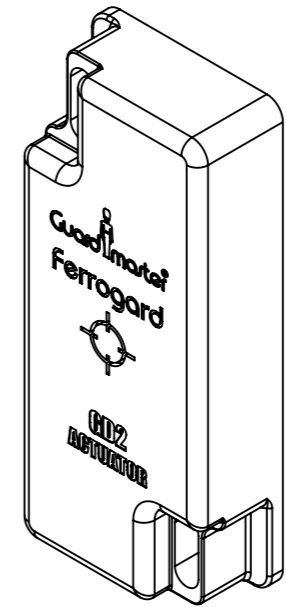
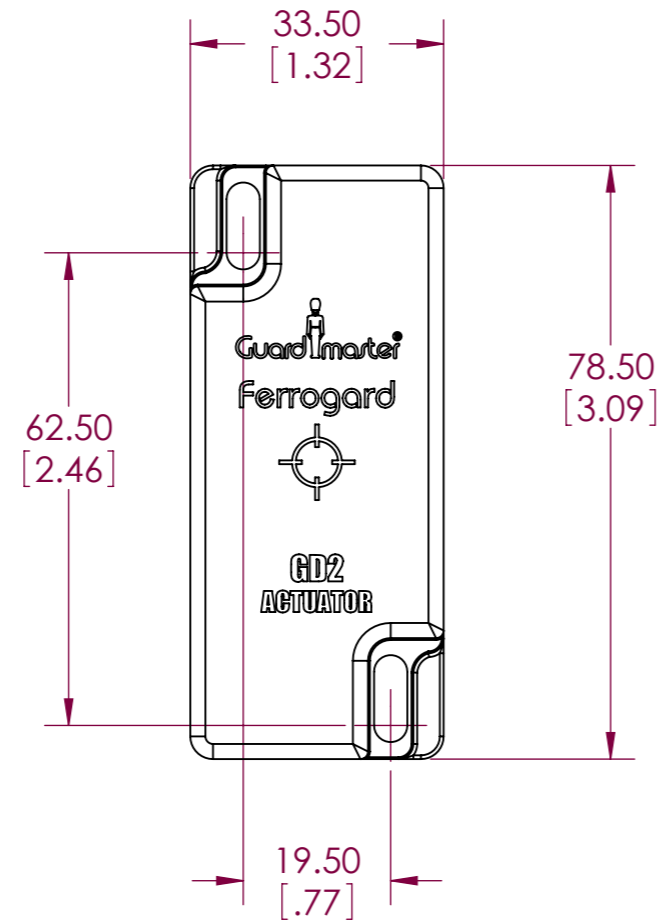
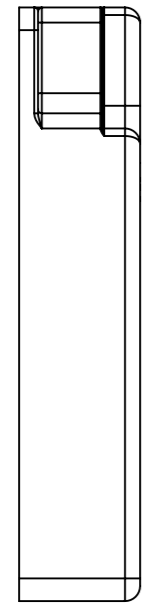


DRAWN	DATE
CHECKED	DATE
APPROVED	DATE

Drawing No.
440N-G021XX
Rockwell Automation

This drawing is the property of Rockwell Automation & may not be used for any other purpose other than that for which it was supplied without the express written authority of Rockwell Automation.

DRG No.
440N-A02128



THIRD ANGLE PROJ.	SCALE
	1:1
MATERIAL	N/A
FINISH	N/A
TITLE	GD2 ACTUATOR



DRAWN	DATE
CHECKED	DATE
APPROVED	DATE

Drawing No.
440N-A02128

Rockwell Automation