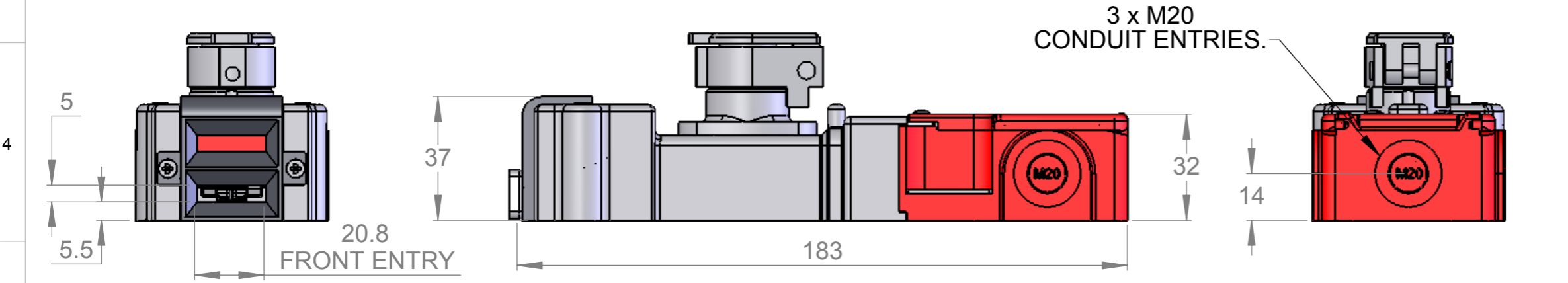
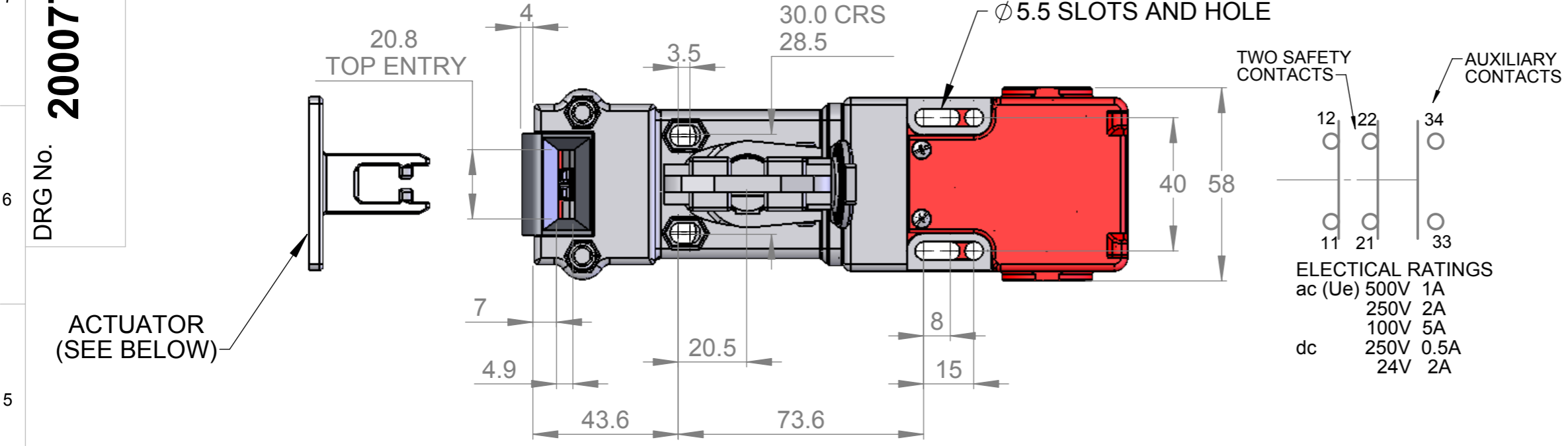


This drawing is the property of EJA Ltd. and may not be used for any other purpose other than that for which it was supplied without the express written authority of EJA Ltd.

DRG No. **200077**

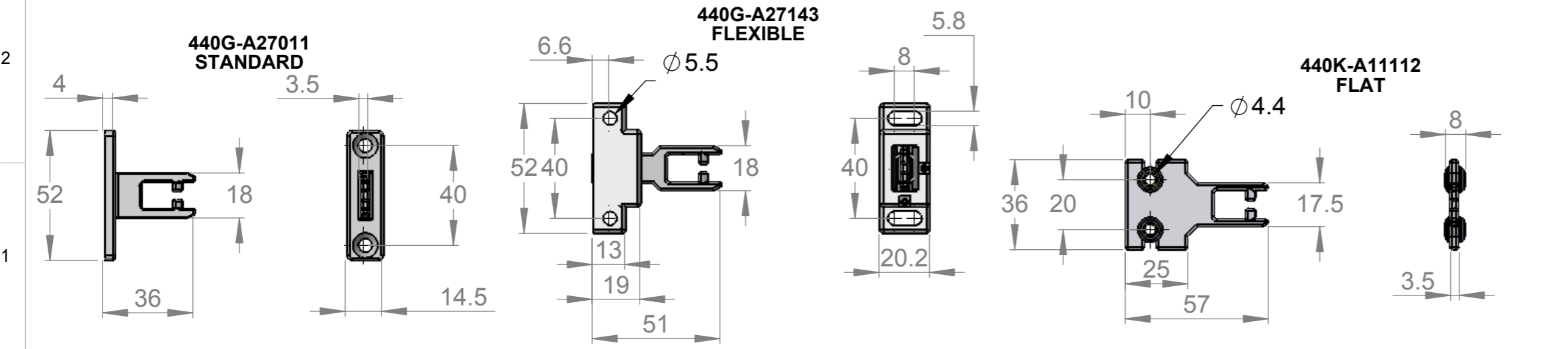


KEY FREE/ACTUATOR TRAPPED	
PART No	ACTUATOR TYPE
440T-MSSSE10	STANDARD
440T-MSSSE11	FLEXIBLE
440T-MSSSE12	FLAT

**OPERATING PROCEDURE.**  
 KEY FREE, ACTUATOR TRAPPED, AND SAFETY CONTACTS MADE.  
 INSERT PRIMARY KEY AND ROTATE 90°CW TO TRAP.  
 REMOVE ACTUATOR.

KEY FREE/ACTUATOR FREE	
PART No	ACTUATOR TYPE
440T-MSSSE20	STANDARD
440T-MSSSE22	FLEXIBLE
440T-MSSSE23	FLAT

**OPERATING PROCEDURE.**  
 KEY TRAPPED, ACTUATOR TRAPPED, AND SAFETY CONTACTS MADE.  
 ROTATE KEY 90°CCW TO BREAK SAFETY CONTACTS AND REMOVE.  
 REMOVE ACTUATOR.



TOLERANCE

ANGULAR	LINEAR
0° ± 2°	0 ± 0.50
0.0° ± 1°	0.0 ± 0.20
0.00° ± 0.5°	0.00 ± 0.10
0.000° ± 0.25°	0.000 ± 0.05

⊠ INDICATES CRITICAL DIMENSIONS

1	27654	DRAWN	WGD	WGD	05/06/2007	
ISS	10	DESCRIPTION	GRID	DRW	APP	DATE

THIRD ANGLE PROJ. SCALE 2:3  
 Must conform to RoHS Directive (2002/95/EC)  
 MATERIAL

FINISH  
 TITLE **DATA SHEET**  
**SSSE UNITS**

**Rockwell Automation**  
 EJA Limited  
 Ormside Close, Hindley Green,  
 Wigan, Lancashire, WN2 4HR  
 TEL: 01942 257112  
 FAX: 01942 523259

DRAWN	WGD	DATE	05/06/07
CHECKED	SF	DATE	05/06/07
APPROVED	WGD	DATE	05/06/07

DRG No. **200077** **A3**