

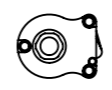
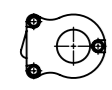
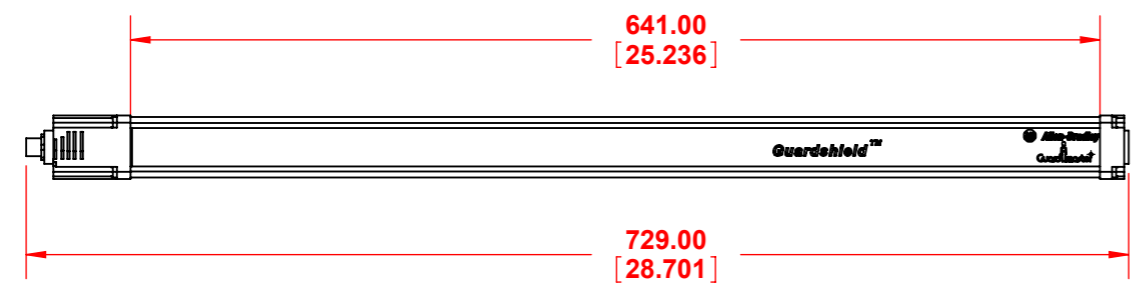
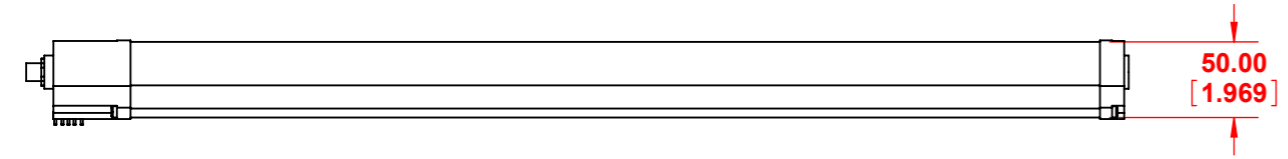
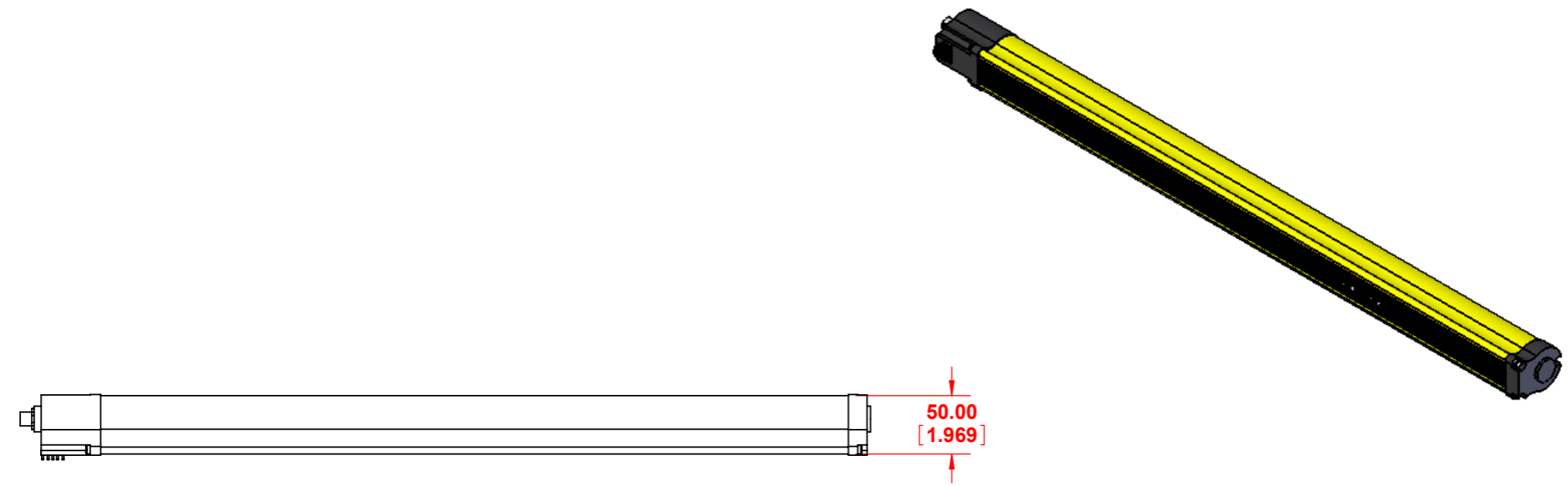
ALL DIMENSIONS ARE REFERENCE ONLY

DO NOT SCALE

ALL DIMENSIONS ARE REFERENCE ONLY

This drawing is the property of Rockwell Automation & may not be used for any other purpose other than that for which it was supplied without the express written authority of Rockwell Automation.

3D CAD System Services  
 DRG No.  
**440I-gnyn-40640**



THIRD ANGLE PROJ.  SCALE 1:5

MATERIAL N/A

FINISH N/A

TITLE -



DRAWN	DATE
CHECKED	DATE
APPROVED	DATE

Drawing No.  
**440I-gnyn-40640**

**Rockwell Automation**