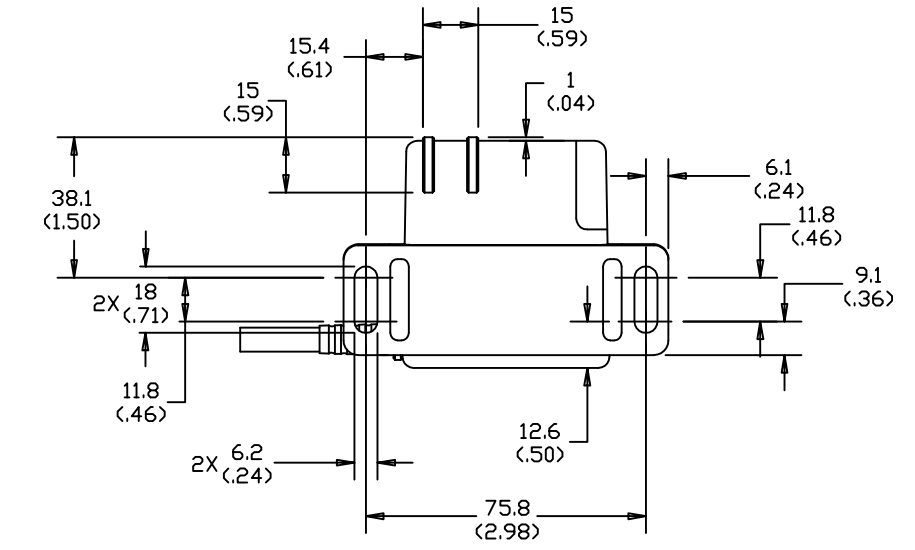
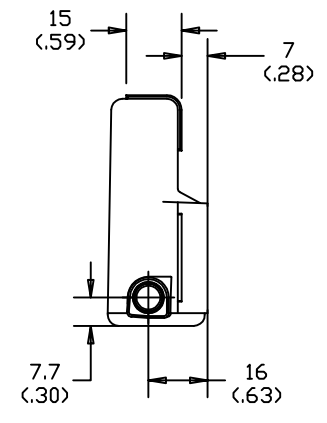
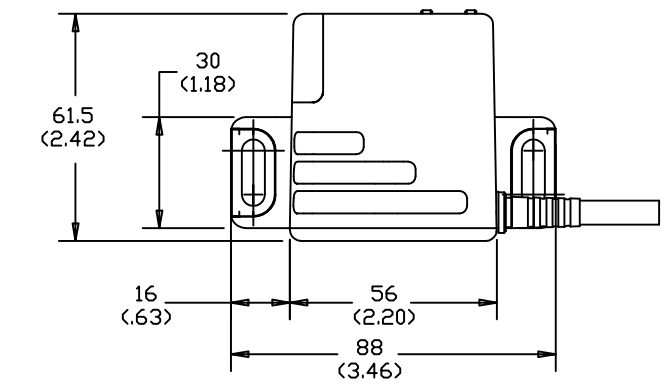


ACTUATOR



SWITCH

<p>UNLESS OTHERWISE SPECIFIED DIMENSIONS ARE IN MM [INCHES]</p> <p>THIRD ANGLE PROJECTION</p>	<p>OUTLINE DRAWING NON-CONTACT LITE LATCH</p>		<p>ROCKWELL AUTOMATION FOR TECHNICAL SUPPORT CALL +1 440.646.5800</p>		
			<p><small>CONFIDENTIAL AND PROPRIETARY INFORMATION. THIS DOCUMENT CONTAINS CONFIDENTIAL AND PROPRIETARY INFORMATION OF ROCKWELL AUTOMATION, INC. AND MAY NOT BE USED, COPIED OR DISCLOSED TO OTHERS, EXCEPT WITH THE AUTHORIZED WRITTEN PERMISSION OF ROCKWELL AUTOMATION, INC.</small></p>		
			<p>MATERIAL: N/A</p>	<p>DRG. NO. 440N-Z21SS3PA</p>	<p>VER. 00</p>
			<p>FINISH: N/A</p>	<p>SCALE: 1 : 1</p>	<p>DRW. B. FORTIER</p>