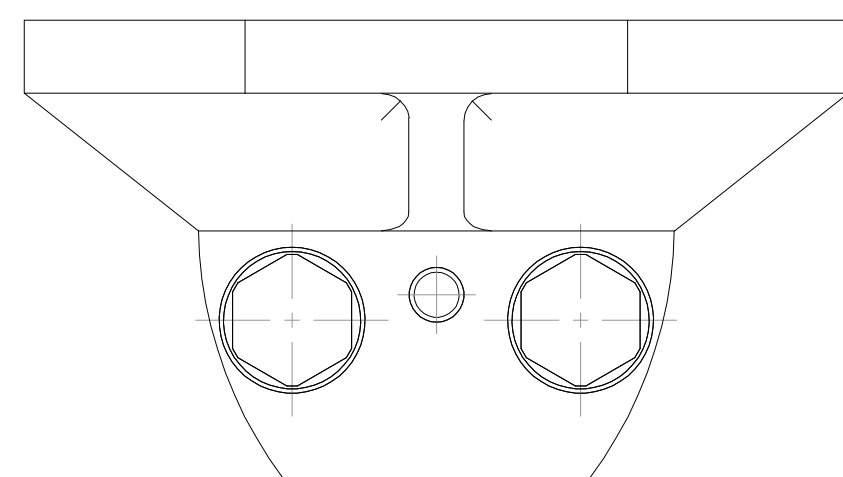
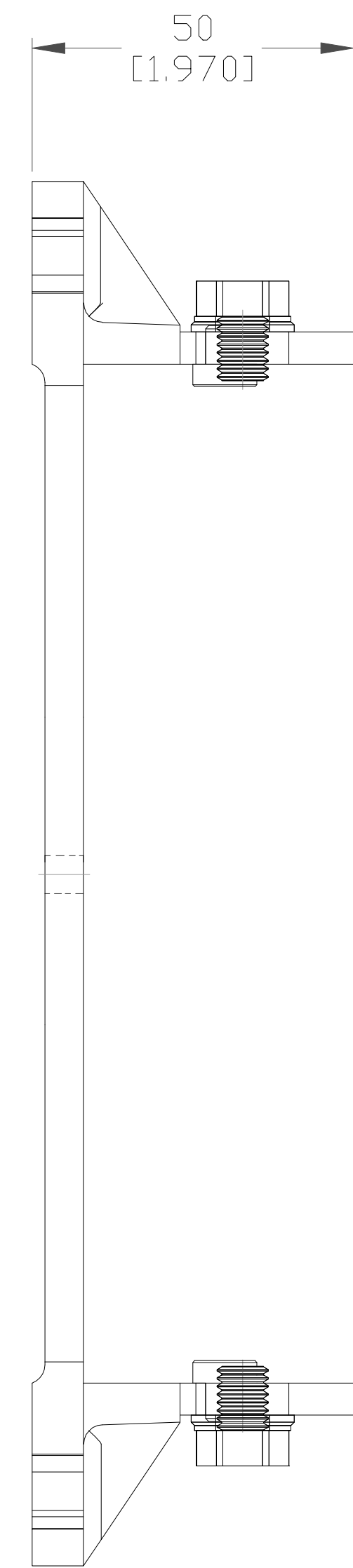
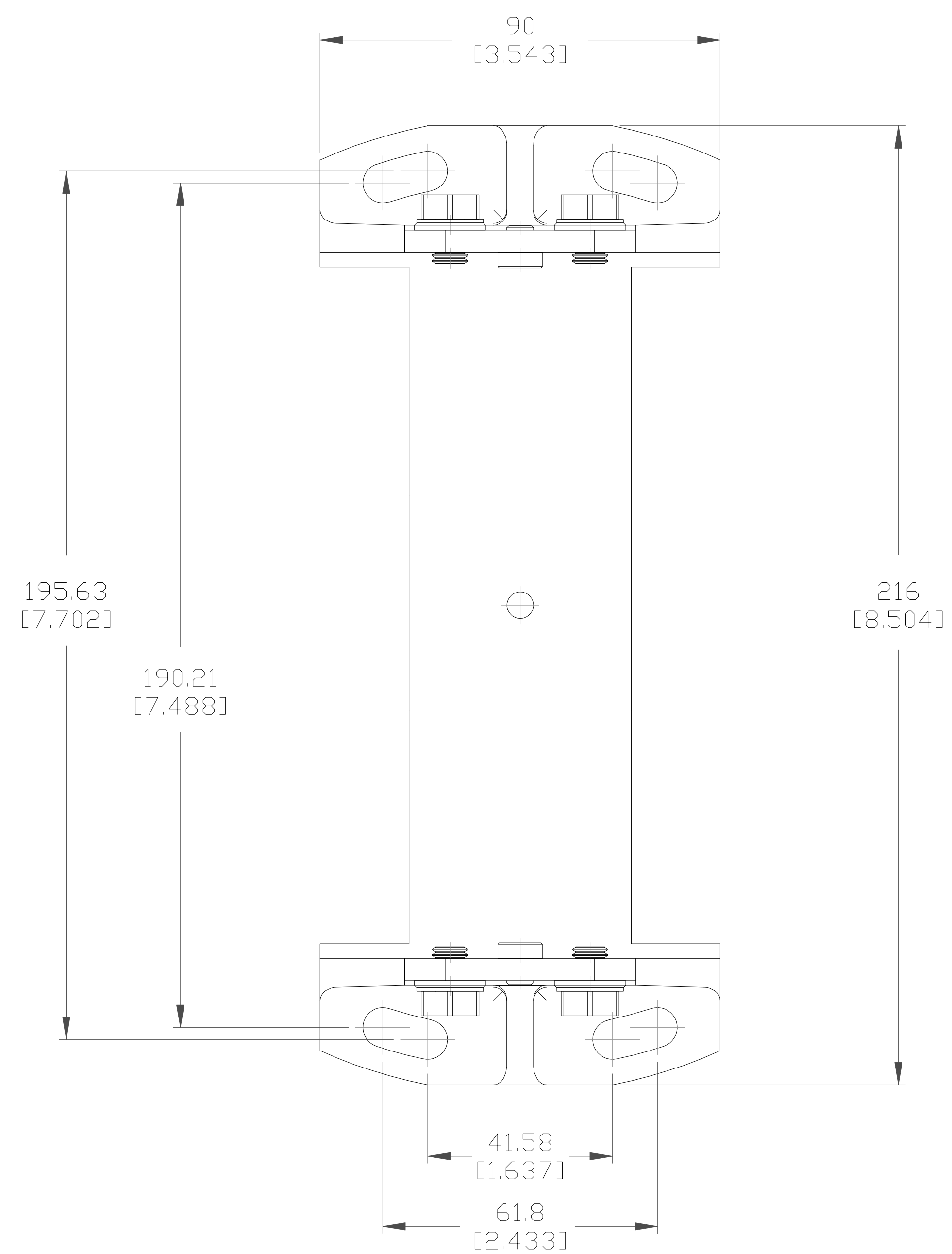


A B C D E F G H J K L

1
2
3
4
5
6
7
8



UNLESS OTHERWISE SPECIFIED
DIMENSIONS ARE IN MM [INCHES]

THIRD ANGLE PROJECTION

MATERIAL: N/A

FINISH: N/A

SCALE: 1 : 1

OUTLINE DRAWING
MOUNTING BRACKET
SAFEZONE MULTIZONE

DRW. B. FORTIER DATE 6/9/2011

ROCKWELL AUTOMATION FOR TECHNICAL SUPPORT CALL +1 440.646.5800	
CONFIDENTIAL AND PROPRIETARY INFORMATION. THIS DOCUMENT CONTAINS CONFIDENTIAL AND PROPRIETARY INFORMATION OF ROCKWELL AUTOMATION, INC. AND MAY NOT BE USED, COPIED OR DISCLOSED TO OTHERS, EXCEPT WITH THE AUTHORIZED WRITTEN PERMISSION OF ROCKWELL AUTOMATION, INC.	
DWG. NO. 442L-AMBSFZNMZ2	VER. 00
SIZE C SHEET 1	OF 1