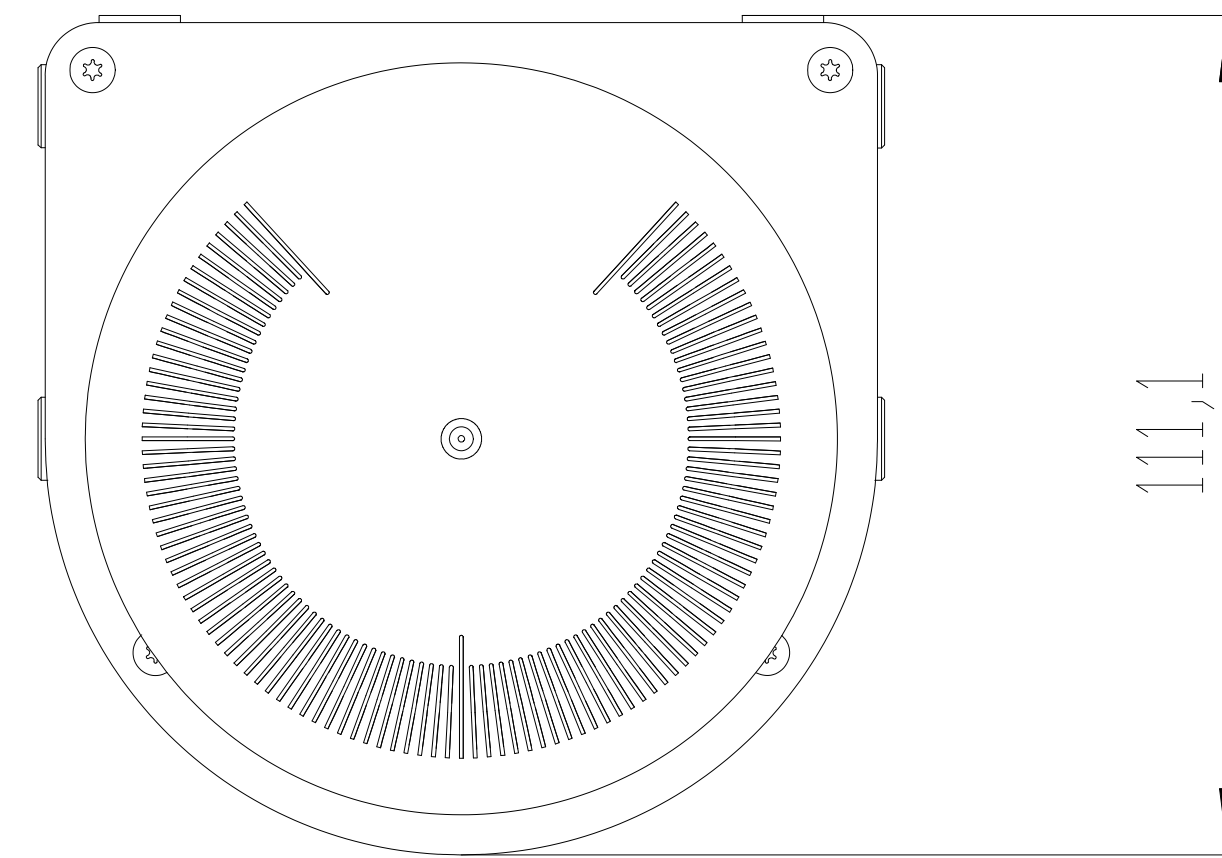
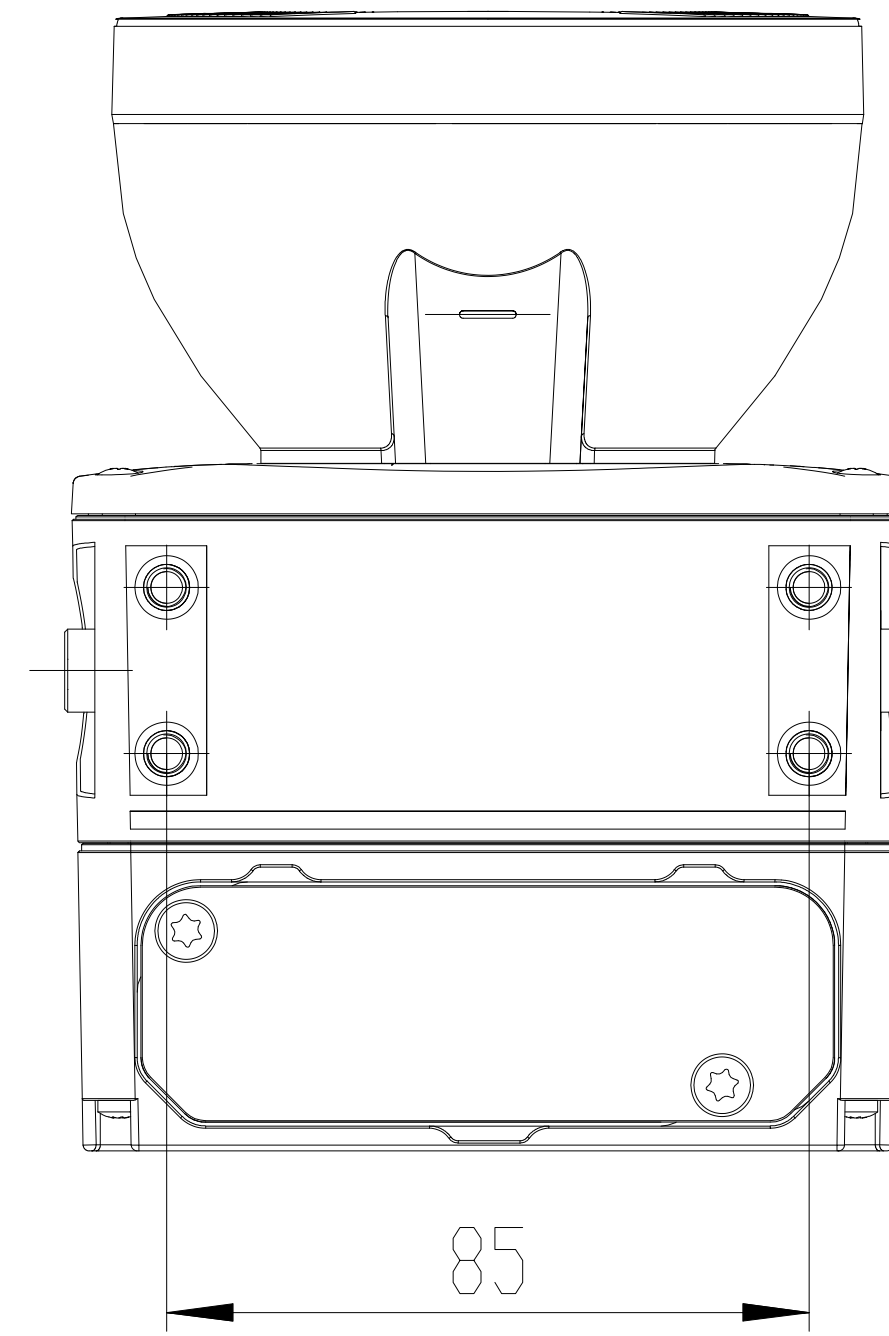
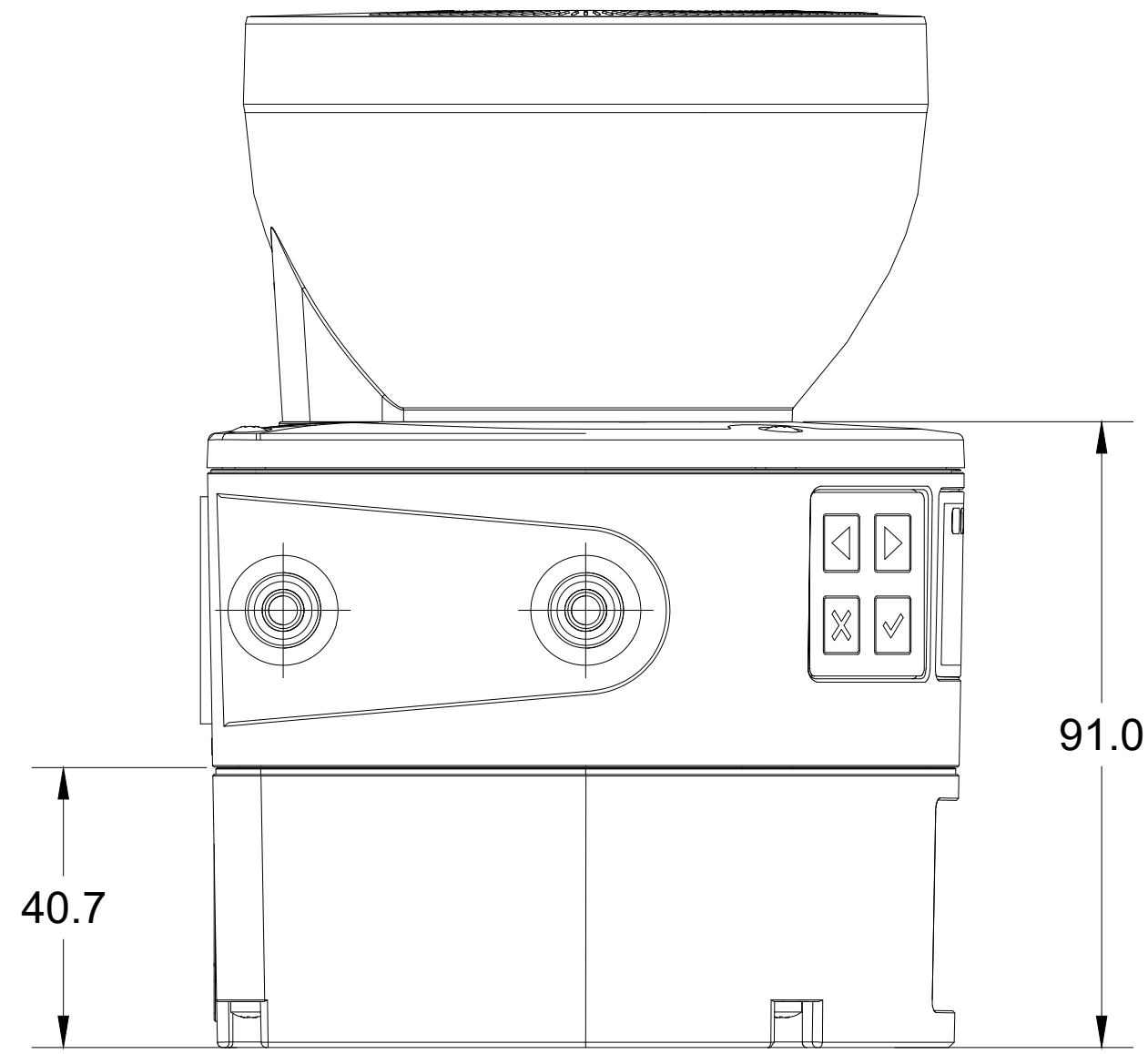
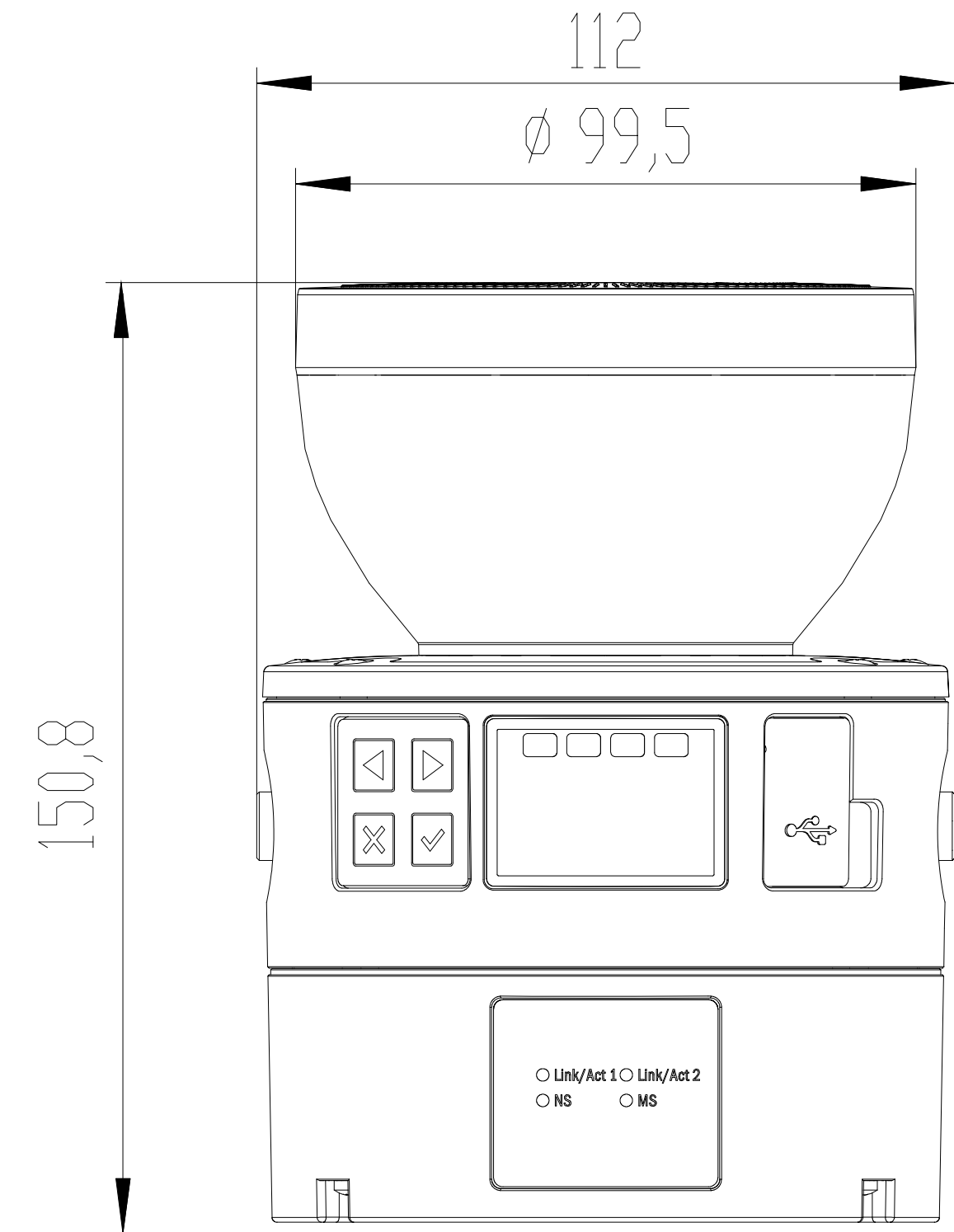


442L-SZNMZCP : SAFEZONE MULTIZONE CIP SAFETY LASER SCANNER, 5.5M, 8 FIELDS



CRITICAL TO QUALITY CLASSIFICATION TABLE				
P=PERFORMANCE, F=FIT, A=ASSEMBLY				
X=IDENTIFIER APPLICABLE CLASSIFICATION(S)				
◇=ENGINEERING AND/OR MANUFACTURING REQUIREMENT				
Ⓢ=REGULATORY REQUIREMENT - CONFORMANCE IS MANDATORY				
COMMENTS	DRAWING (ZONE)	P	F	A
ROHS	H1			X

442L-ACVR : SAFEZONE CIP SAFETY
SCANNER REPLACEMENT COVER

SCANNER REPLACEMENT COVER PLATE



NOTE:
1. DIMENSIONS IN MM ARE FOR REFERENCE ONLY

MUST COMPLY WITH ROCKWELL
AUTOMATION SPECIFICATION 910230-01

		CONFIDENTIAL AND PROPRIETARY INFORMATION. THIS DOCUMENT CONTAINS CONFIDENTIAL AND PROPRIETARY INFORMATION OF ROCKWELL AUTOMATION, INC. AND MAY NOT BE USED, COPIED OR DISCLOSED TO OTHERS, EXCEPT WITH THE AUTHORIZED WRITTEN PERMISSION OF ROCKWELL AUTOMATION, INC.	
DESCRIPTION	SafeZone CIP Safety Scanner	DATE	2020-04-19
SIZE	D	SHEET	1 OF 1
CREATED BY	SSHARM35	CHANGED BY	