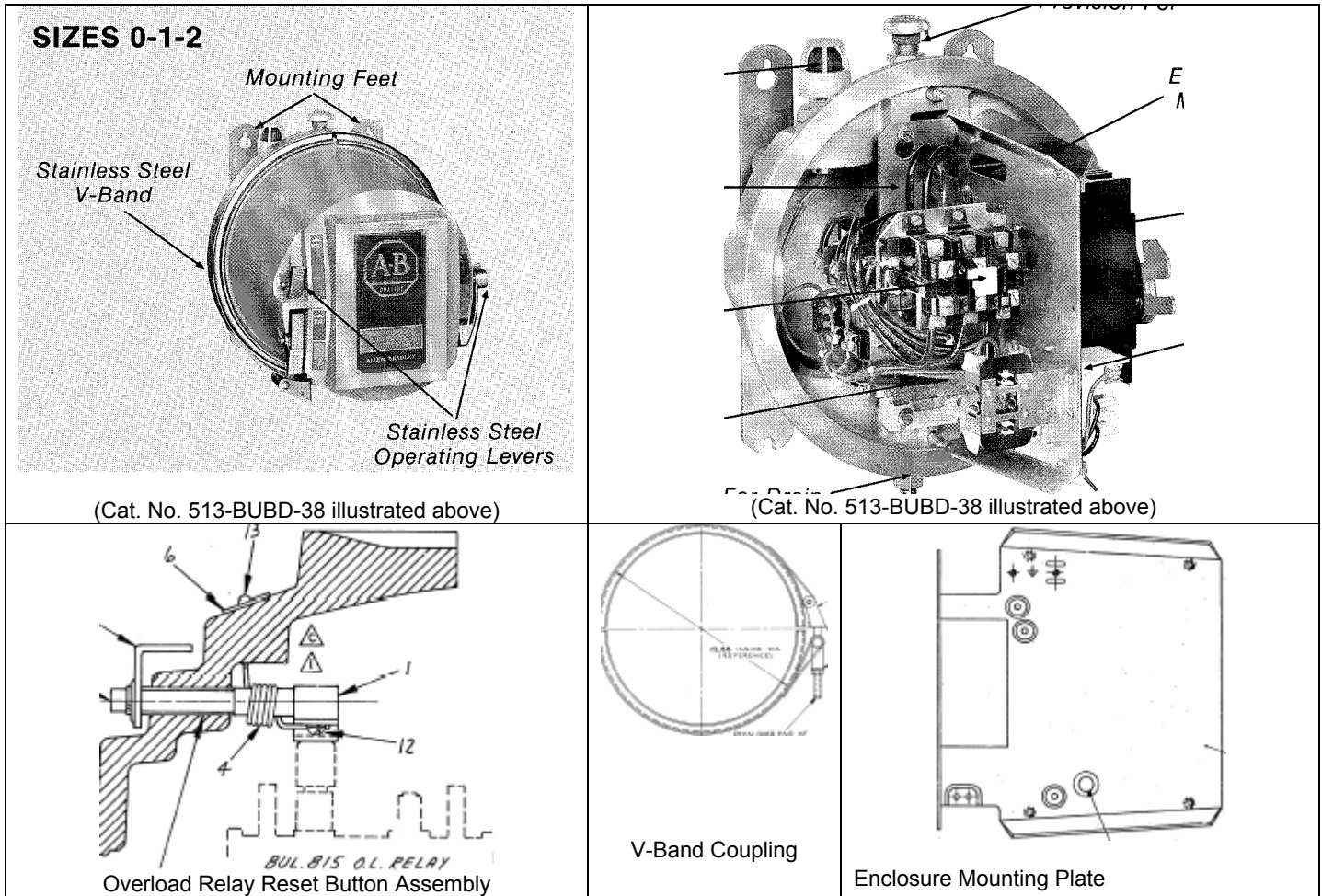


**Renewal Parts for Bulletin 500, 500L Contactors  
Renewal Parts for Bulletin 505, 509 Non-Combination Starters  
Sizes 0 through 4 Series Letters 'A' – 'C', Size 5 Series 'L' NEMA 'Unilock' Enclosure Type 3R, 7&9**



Catalog Number	NEMA Size	Repair Part No. for V-Band Coupling	Repair Part No. for Enclosure Mtg Plate	Repair Part No. for Overload Reset Button Assembly
500-AU*, 500-BU*, 500-CU*, 500L-AU*, 500L-BU*, 500L-CU*	0 – 2	X-417953	40485-321-51	Not Used
500-DU*, 500-EU*, 500-FU*	3 – 5	40263-320-51	Not Available	Not Used
505-AU*, 505-BU*	0 – 1	X-417953	40485-305-51	Z-35754
509-AU*, 509-BU*, 509-CU*	0 – 2	X-417953	40485-304-51	Z-35754
509-DU*, 509-EU*, 509-FU*	3 – 5	40263-320-51	Not Available	40263-321-51

**Pilot Light Renewal Parts**

Pilot Light Kit Cat. No.	NEMA Size	Replacement 120V Lamp	Replacement Lens Cap	Replacement Color Insert Kit
1481-N56A120R (red)	All	800T-N169	800H-N104R (red lens)	800H-NP23R
1481-N56A120G (green)	All	800T-N169	800H-N104G (green lens)	800H-NP23G
None	All	800T-N169	800H-N104A (amber lens)	800H-NP23A
None	All	800T-N169	800H-N104B (blue lens)	800H-NP23B
None	All	800T-N169	800H-N104W (white lens)	800H-NP23W
None	All	800T-N169	800H-N104C (clear lens)	800H-NP23C

**Miscellaneous Parts:**

- 'Start-Stop' Push Button Components – order catalog number 1481-N53 (sizes 0-2) or 1481-N58 (sizes 3-5)
- 'On-Off' Selector Switch Components – order catalog number 1481-N54 (sizes 0-2) or 1481-N59 (sizes 3-5)
- 'Hand-Off-Auto' Selector Switch Components – order catalog number 1481-N55 (sizes 0-2) or 1481-N60 (sizes 3-5)
- 'Forward-Off-Reverse' Selector Switch Components – order catalog number 1481-N48 (sizes 0-2) or 1481-N62 (sizes 3-5)
- 'Off-On' Selector Switch Components – order catalog number 1481-N54 (sizes 0-2) or 1481-N59 (size 3-5)
- Hole Plug for Overload Relay Reset Handle or Pilot Devices – order part number Z-36535 (sizes 0-2), 40263-327-51 (sizes 3-5)
- Replacement Enclosure for Nema Sizes 0 - 2**  
(includes base, cover, v-band coupling, with no mounting plates, overload reset and pilot device holes are plugged) – order part number 1401-N6. No replacement enclosure available for nema sizes 3 – 5.

## Important User Information

Because of the variety of uses for the products described in this publication, those responsible for the application and use of this control equipment must satisfy themselves that all necessary steps have been taken to assure that each application and use meets all performance and safety requirements, including any applicable laws, regulations, codes and standards.

The illustrations, charts, sample programs and layout examples shown in this guide are intended solely for purposes of example. Since there are many variables and requirements associated with any particular installation, Rockwell Automation does not assume responsibility or liability (to include intellectual property liability) for actual use based upon the examples shown in this publication.

Allen-Bradley publication SGI-1.1, *Safety Guidelines for the Application, Installation and Maintenance of Solid-State Control* (available from your local Allen-Bradley office), describes some important differences between solid-state equipment and electromechanical devices that should be taken into consideration when applying products such as those described in this publication.

Reproduction of the contents of this copyrighted publication, in whole or part, without written permission of Rockwell Automation, is prohibited.

Throughout this document we use notes to make you aware of safety considerations:

---

### ATTENTION

Identifies information about practices or circumstances that can lead to personal injury or death, property damage or economic loss




---

### IMPORTANT

Identifies information that is critical for successful application and understanding of the product.

Use only replacement parts and devices recommended by Rockwell Automation to maintain the integrity of the equipment. It is the user's responsibility to ensure that the renewal part number selected is properly matched to the model, series and revision level of the equipment being serviced.

---

### ATTENTION

Servicing energized Industrial Control Equipment can be hazardous. Severe injury or death can result from electrical shock, burn, or unintended actuation of controlled equipment. Recommended practice is to disconnect and lockout control equipment from power sources, and release stored energy, if present.



Refer to **National Fire Protection Association Standard No. NFPA70E, Part 2 and (as applicable) OSHA rules for Control of Hazardous Energy Sources (Lockout/Tagout) and OSHA Electrical Safety Related Work Practices** for safety related work practices, including procedural requirements for lockout/tagout, and appropriate work practices, personnel qualifications and training requirements where it is not feasible to de-energize and lockout or tagout electric circuits and equipment before working on or near exposed circuit parts.

ROCKWELL DISCLAIMS ALL WARRANTIES WHETHER EXPRESSED OR IMPLIED IN RESPECT TO THE INFORMATION (INCLUDING SOFTWARE) PROVIDED HEREBY, INCLUDING THE IMPLIED WARRANTIES OF FITNESS FOR A PARTICULAR PURPOSE, MERCHANTABILITY, AND NON-INFRINGEMENT. Note that certain jurisdictions do not countenance the exclusion of implied warranties; thus, this disclaimer may not apply to you.

Allen-Bradley is a trademark of Rockwell Automation