

**Bulletin 505 3-Phase
Full Voltage Reversing NEMA Starters
Without Overload Relay
Sizes 0 through 4 (all series), Size 5 (series L)
Renewal Parts**

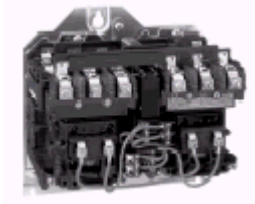
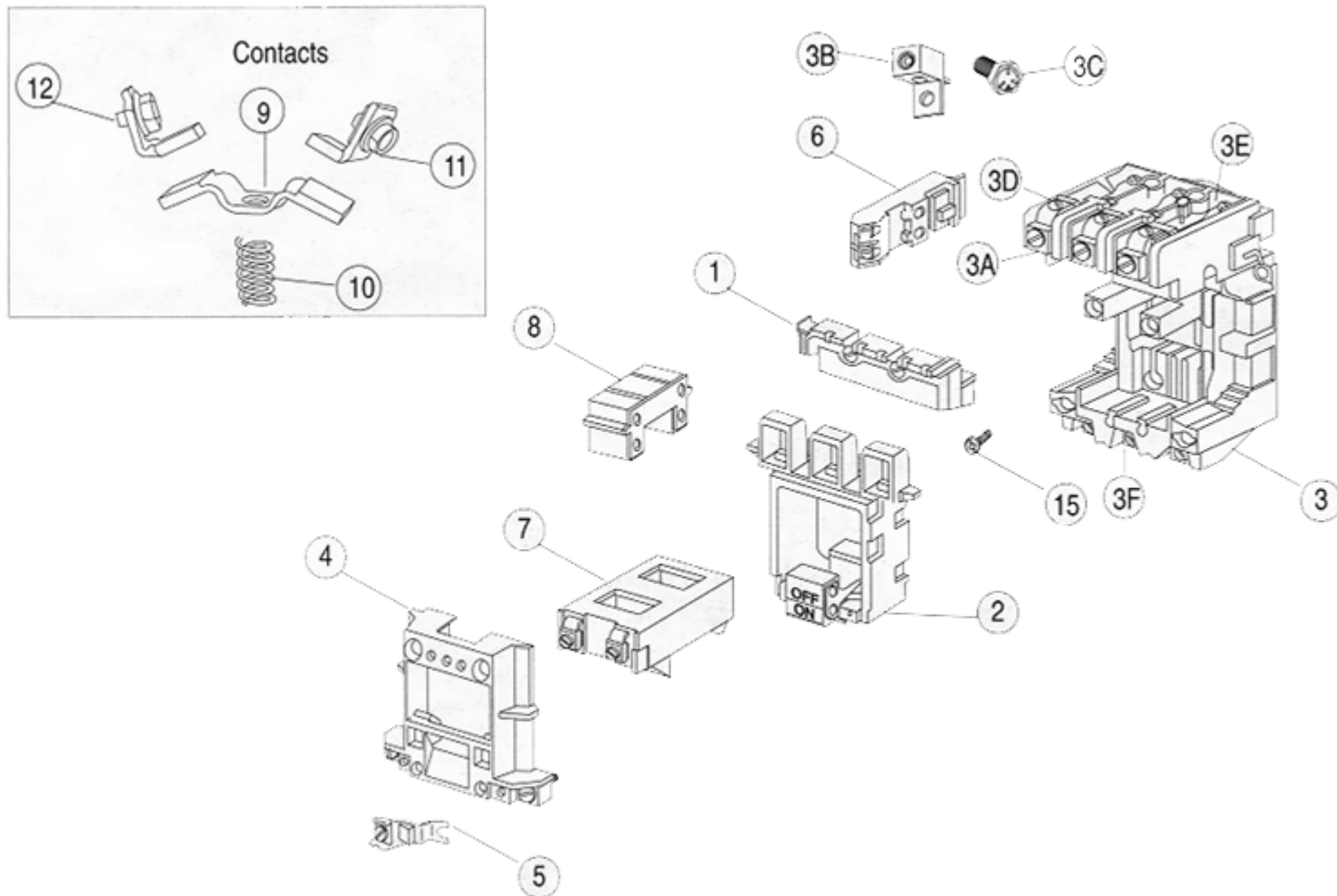


Figure 1 is an exploded view of the right-hand side starter, the left-hand side contactor is similar. Primary parts such as coils and contacts are similar in appearance for all sizes. Secondary parts such as mounting plates, overloads, etc. will vary in appearance. See page 2 for corresponding description of part and part numbers.



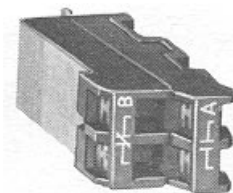
Page 2 contains the corresponding part numbers for the parts illustrated below.

Power Connector Kit

Mechanical Interlock

Electrical Interlock (1 NO – 1 NC)

Common Mounting Plate for Left and Right-Hand Contactors



Renewal Parts

Bulletin 505 less Overload Relay, Sizes 0 through 4 (all series), Size 5 (series L)

Repair Parts for Figure 1

Item	Description of Renewal Part	Size 0	Size 1	Size 2	Size 3	Size 4	Size 5 (Ser. L)
		Part No.	Part No.	Part No.	Part No.	Part No.	Part No.
1	Contact Block Cover	40410-499-01	40410-499-02	40420-499-01	40430-457-51	40440-456-51	42450-800-01
2	Movable Contact Support and Armature Assembly ①	40410-498-01 Series A 40410-498-03 Series B		40420-498-01	40430-452-51	40440-453-51	42450-801-01
3	Right Hand Stationary Contact Block and Base Assembly ①	40410-494-03	40410-494-04	40420-495-02	40430-462-52	40440-462-52	42450-307-62
	Left Hand Stationary Contact Block and Base Assembly ①	40410-495-03	40410-495-04	40420-496-02	40430-462-54	40440-462-54	42450-802-03
3A	Saddle Clamp Assembly	X-225492		Does Not Apply			
3B	Lug	See Item 3A		1494R-N1 ⑤	40430-461-51	40440-461-51	42450-804-01
3C	Bolt	See Item 3A		M-6289	M-6532	M-6834	Included in 3D
3D	Front Terminal without Contact	(See p. 5 for exploded view of Items 3D - 3F parts for nema sizes 3 through 5)			40430-022-02	40440-030-02	42450-302-52
3E	Rear Terminal without Contact				40430-024-02	40440-314-51	40440-314-51
3F	Front/Rear Terminal Screw				②		28168-107-26
4	Coil Cover	40410-496-01	40420-497-01	40430-454-51	40440-454-51	42450-803-01	
5	Tie Point Terminal	599-TP02			599-TP34		
6	Auxiliary Contact Block	595-A (used as a hold-in contact)					
7	Operating Coil	See table on page 3					
8	Yoke (50-60 Hz)	40410-497-01	40410-497-02	40430-455-51	40440-458-01		
9	Movable Contact	Order Single Pole Contact Set					
10	Contact Spring						
11	Front Stationary Contact						
12	Rear Stationary Contact						
9-12	Single Pole Contact Set (includes [1] each items 9-12) ④	40410-331-51	40410-331-52	40420-322-51	40430-300-51	40440-300-51	42450-805-01
15	Mtg. Screw w/Washer (3 req'd)	28169-100-26		28169-101-26	40430-460-51	40440-459-51	
-	Mounting Plate for Left or Right Hand Contactor	40410-031-02		40420-014-02	40430-044-02	40440-027-02	

① Less Contacts, order Single Pole Contact Set as required.

② Front and rear terminal assembly not available as a renewal part. Replace the complete stationary contact block and base assembly.

③ Front Terminal Screw Part No. is 28168-503-26 and Rear Terminal Screw Part No. is 28168-502-6.

④ Bulletin 505 reversing starters have six power poles. Order as many single pole contact kits as needed.

⑤ Part number contains three lugs.

Size	Power Connector Kit	Mechanical Interlock	Electrical Interlock (1 NO – 1 NC)	Common Mounting Plate for Left and Right-Hand Contactors
0	599-B01R	40410-341-51	595-AB (2 req'd)	40410-088-02
1	599-B01R	40410-341-51	595-AB (2 req'd)	40410-088-02
2	599-B2R	40410-341-51	595-AB (2 req'd)	40420-056-02
3	40434-300-51	40410-341-51	40495-462-08 & 40495-462-09	40430-078-02
4	40444-300-51	40410-341-52	40495-462-08 & 40495-462-09	40440-078-02
5	42454-300-51	40410-341-52	40495-462-08 & 40495-462-09	40440-078-02

Renewal Parts

Bulletin 505 less Overload Relay, Sizes 0 through 4 (all series), Size 5 (series L)

Operating Coils

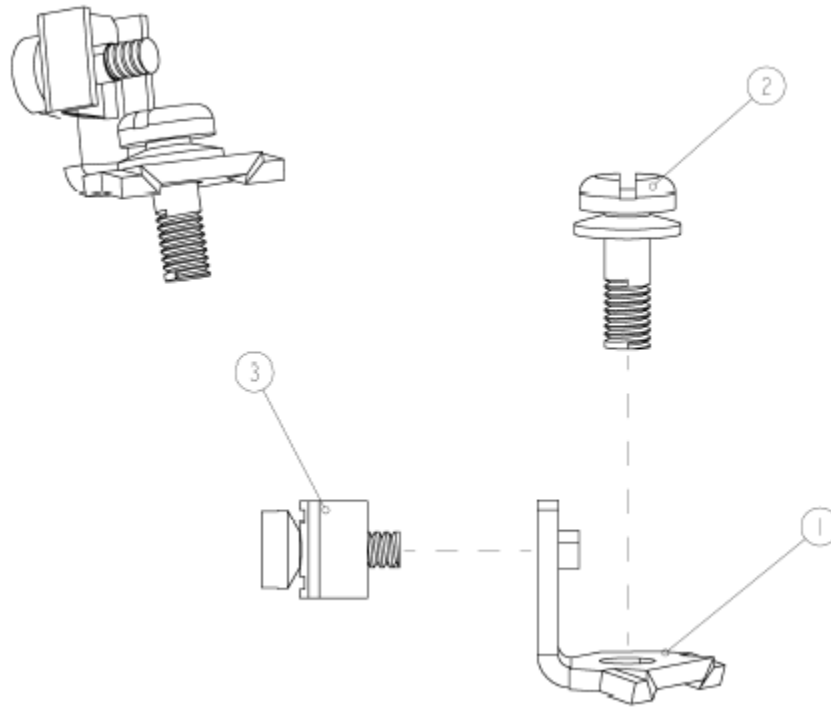
Each part number listed below contains one coil. Reversing contactors/starters will require two coils.

Coil Voltage. Suffix Code In Cat. No.	AC Volts	Hz	Coil Repair Part Number				
			Size 0-1	Size 2	Size 3	Size 4	Size 5 (Series L)
J	24	60	CB013	CC013	CD013	NA	Not Available
K	24	50	CB407	CC407	CD407	NA	AF407
D	115-120 110	60 50	CB236	CC236	CD236	CE236	AF236
S	110-115	50	CB322	CC322	CD322	CE322	AF322
H	200-208	60	CB249	CC249	CD249	CE249	AF249
P	220-230	50	CB339	CC339	CD339	CE339	AF339
A	230-240	60	CB254	CC254	CD254	CE254	AF254
T	230-240	50	CB342	CC342	CD342	CE342	AF342
F	277	60	CB260	CC260	CD260	CE260	AF260
N	380	50	CB354	CC354	CD354	CE354	AF354
KN	380-400	50	CB390	CC390	CD390	CE390	AF390
I	415	50	CB357	CC357	CD357	CE357	AF357
Q	440-460	50	CB360	CC360	CD360	CE360	AF360
B	460-480	60	CB273	CC273	CD273	CE273	AF273
M	500	50	CB364	CC364	CD364	CE364	AF364
C	575-600	60	CB278	CC278	CD278	CE278	AF278

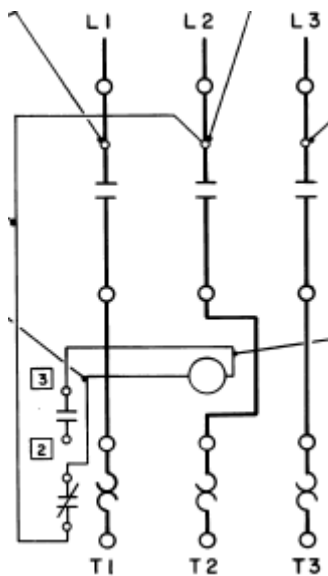
Renewal Parts

Bulletin 505 less Overload Relay, Sizes 0 through 4 (all series), Size 5 (series L)

Renewal Parts for Control Circuit Terminals



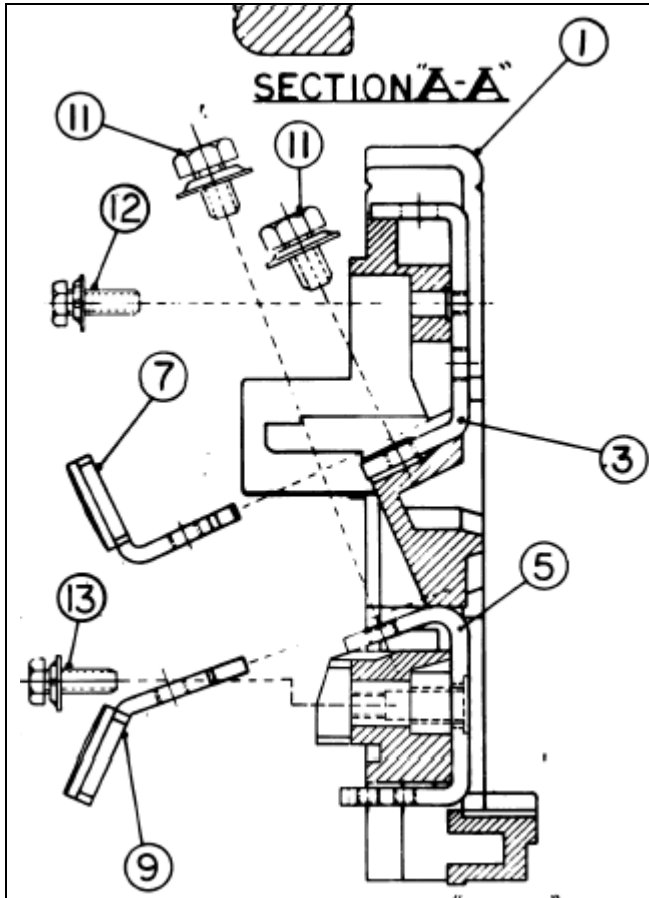
NEMA Size	Mounting Terminal (item 1)	Mounting Screw (Item 2)	Saddle Clamp Assembly (item 3)
0 - 2	40410-053-02	28158-072-26	28192-076-33
3	40430-047-02	M-6289	28192-076-33
4 - 5	40440-035-02	28168-676-26	28192-076-33



Renewal Parts

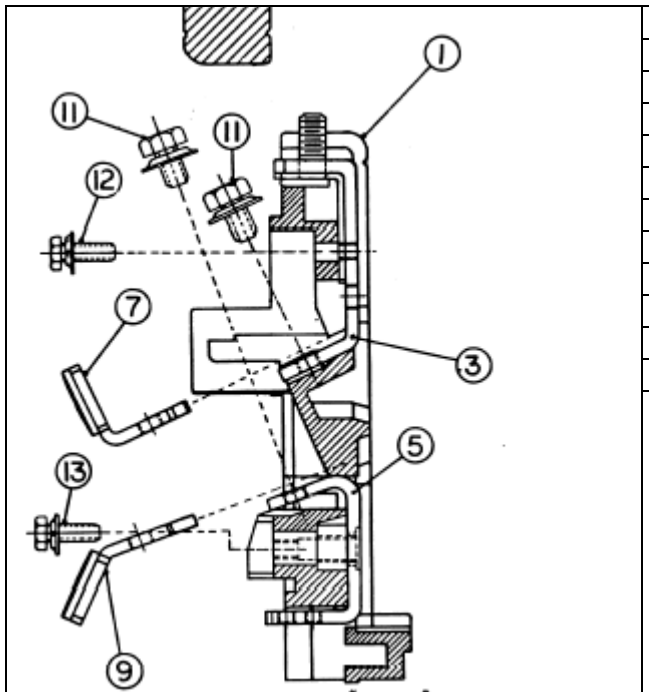
Bulletin 505 less Overload Relay, Sizes 0 through 4 (all series), Size 5 (series L)

Renewal Parts for Arc Hood Assembly Components – For Nema Sizes 3 and 4



Renewal Parts for Nema Size 3 Starters		
Item #	Description	A-B Part Number ①
1	Arc Hood	Order Stationary Contact Block & Base Assembly (see p.2)
3	Front Terminal	40430-022-02
5	Rear Terminal	40430-024-02
7	Front Stationary Contact	Order Single Pole Contact Kit 40430-300-51
9	Rear Stationary Contact	
11	Screw for Front/Rear Contact	28168-601-26 ②
12	Screw for Front Terminal	28168-107-26
13	Screw for Rear Terminal	28168-107-26
Renewal Parts for Nema Size 4 Starters		
1	Arc Hood	Order Stationary Contact Block & Base Assembly (see p.2)
3	Front Terminal	40440-030-02
5	Rear Terminal	40440-314-51
7	Front Stationary Contact	Order Single Pole Contact Kit 40440-300-51
9	Rear Stationary Contact	
11	Screw for Front/Rear Contact	28168-676-26 ②
12	Screw for Front Terminal	28168-502-26
13	Screw for Rear Terminal	28168-502-26
① Each part number listed below contains one piece.		
② The screw for the front and rear stationary contacts is included in single pole contact kit part number(s) listed above.		

Renewal Parts for Arc Hood Assembly Components – For Nema Size 5



Item #	Description	A-B Part Number ①
1	Arc Hood	Order Stationary Contact Block & Base Assembly (see p.2)
3	Front Terminal	42450-302-51
5	Rear Terminal	40440-314-51
7	Front Stationary Contact	Order Single Pole Contact Kit 42450-805-01
9	Rear Stationary Contact	
11	Screw for Front/Rear Contact	28168-676-26 ②
12	Screw for Front Terminal	28168-503-21
13	Screw for Rear Terminal	28168-502-26
① Each part number listed below contains one piece.		
② The screw for the front and rear stationary contacts is included in single pole contact kit part number 42450-805-01.		

Important User Information

Because of the variety of uses for the products described in this publication, those responsible for the application and use of this control equipment must satisfy themselves that all necessary steps have been taken to assure that each application and use meets all performance and safety requirements, including any applicable laws, regulations, codes and standards.

The illustrations, charts, sample programs and layout examples shown in this guide are intended solely for purposes of example. Since there are many variables and requirements associated with any particular installation, Rockwell Automation does not assume responsibility or liability (to include intellectual property liability) for actual use based upon the examples shown in this publication.

Allen-Bradley publication SGI-1.1, *Safety Guidelines for the Application, Installation and Maintenance of Solid-State Control* (available from your local Allen-Bradley office), describes some important differences between solid-state equipment and electromechanical devices that should be taken into consideration when applying products such as those described in this publication.

Reproduction of the contents of this copyrighted publication, in whole or part, without written permission of Rockwell Automation, is prohibited.

Throughout this document we use notes to make you aware of safety considerations:

ATTENTION

Identifies information about practices or circumstances that can lead to personal injury or death, property damage or economic loss



IMPORTANT

Identifies information that is critical for successful application and understanding of the product.

Use only replacement parts and devices recommended by Rockwell Automation to maintain the integrity of the equipment. It is the user's responsibility to ensure that the renewal part number selected is properly matched to the model, series and revision level of the equipment being serviced.

ATTENTION

Servicing energized Industrial Control Equipment can be hazardous. Severe injury or death can result from electrical shock, burn, or unintended actuation of controlled equipment. Recommended practice is to disconnect and lockout control equipment from power sources, and release stored energy, if present.



Refer to **National Fire Protection Association Standard No. NFPA70E, Part 2 and (as applicable) OSHA rules for Control of Hazardous Energy Sources (Lockout/Tagout) and OSHA Electrical Safety Related Work Practices** for safety related work practices, including procedural requirements for lockout/tagout, and appropriate work practices, personnel qualifications and training requirements where it is not feasible to de-energize and lockout or tagout electric circuits and equipment before working on or near exposed circuit parts.

ROCKWELL DISCLAIMS ALL WARRANTIES WHETHER EXPRESSED OR IMPLIED IN RESPECT TO THE INFORMATION (INCLUDING SOFTWARE) PROVIDED HEREBY, INCLUDING THE IMPLIED WARRANTIES OF FITNESS FOR A PARTICULAR PURPOSE, MERCHANTABILITY, AND NON-INFRINGEMENT. Note that certain jurisdictions do not countenance the exclusion of implied warranties; thus, this disclaimer may not apply to you.