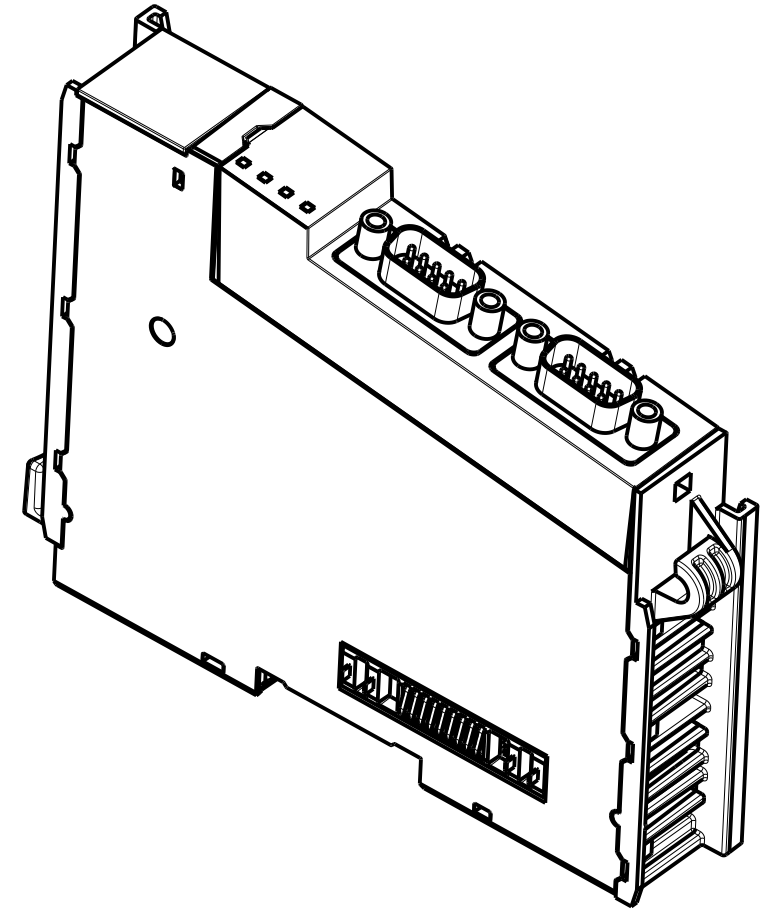
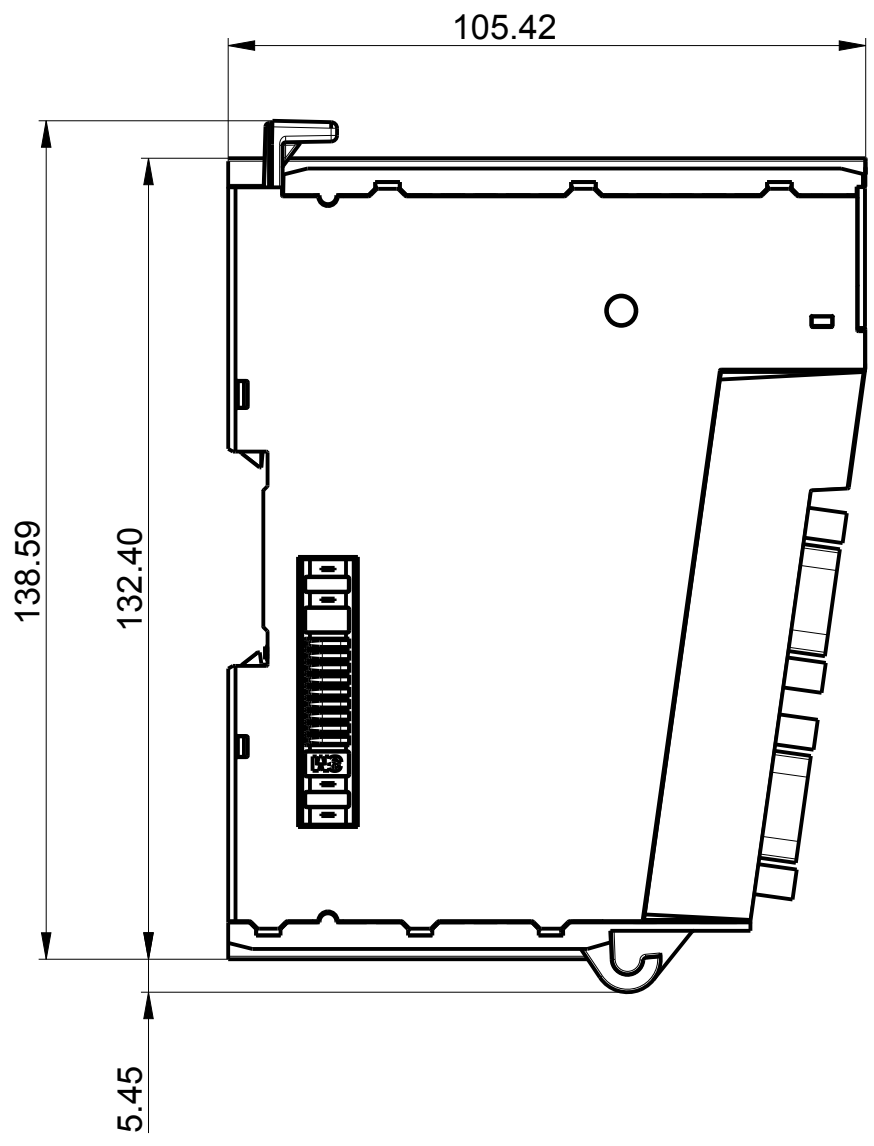
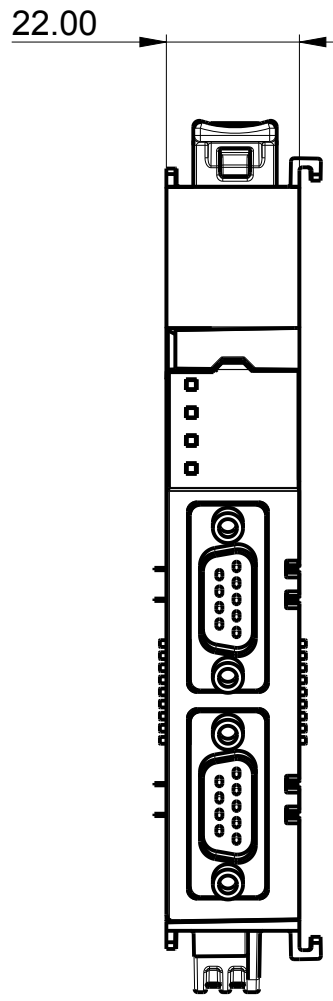
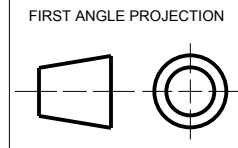


CRITICAL TO QUALITY CLASSIFICATION TABLE				
		P	F	A
				R
COMMENTS	DRAWING ZONE	P	F	A



MUST COMPLY WITH ROCKWELL AUTOMATION ENVIRONMENTAL SPECIFICATION 970-20-01

ALL UNDIMENSIONED GEOMETRIES ARE CONTROLLED BY THE CAD MODEL. IN CASE OF DIMENSION DISCREPANCY, CAD MODEL OVERRIDES.



Rockwell Automation

CONFIDENTIAL AND PROPRIETARY INFORMATION. THIS DOCUMENT CONTAINS CONFIDENTIAL AND PROPRIETARY INFORMATION OF ROCKWELL AUTOMATION, INC. AND MAY NOT BE USED, COPIED OR DISCLOSED TO OTHERS, EXCEPT WITH THE AUTHORIZED WRITTEN PERMISSION OF ROCKWELL AUTOMATION, INC.

DESCRIPTION	5069-Serial
CREATED BY: Soon Seng	CHANGED BY: Soon Seng

DATE: 2018-07-02	SHEET 1 OF 1
SIZE: A3	DIR: VER: