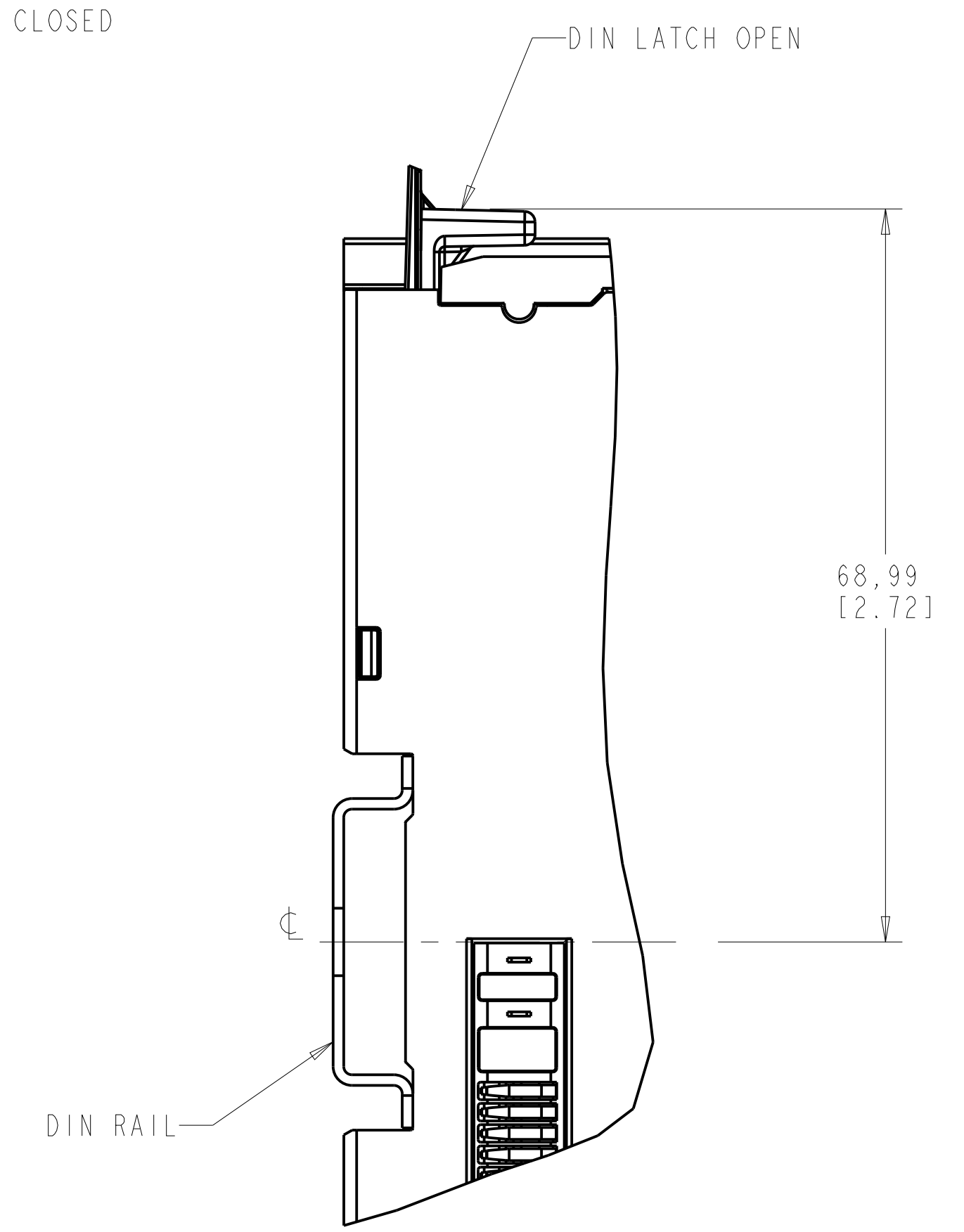


SCALE 2.000



SCALE 2.000

Rockwell Automation 5069, ARM MODULE, ENVELOPE DRAWING		CONFIDENTIAL AND PROPRIETARY INFORMATION THIS DOCUMENT CONTAINS CONFIDENTIAL AND PROPRIETARY INFORMATION OF ROCKWELL AUTOMATION, INC. AND MAY NOT BE USED, COPIED OR DISCLOSED TO OTHERS, EXCEPT WITH THE AUTHORIZED WRITTEN PERMISSION OF ROCKWELL AUTOMATION, INC.	
		Sheet 1 Of 1	Ver 00
Drawn by: SREDDY2	Date: SEP-10-2014	Size D	10001309396