

NOTE:

1. DIMENSIONS SHOWN ARE REFERENCE ONLY.
2. NOT INTENDED FOR MANUFACTURING PURPOSES.
3. DIMENSIONS IN [] ARE MILLIMETERS.

10006555028 CAD MODEL



DESCRIPTION
OUTLINE DIMENSION DRAWING
509-DO -A2_ NEMA SIZE 3 STARTER
WITH E100 592-IEFGD OLR
 CREATED BY:RGRUSHMER CHANGED BY:*****

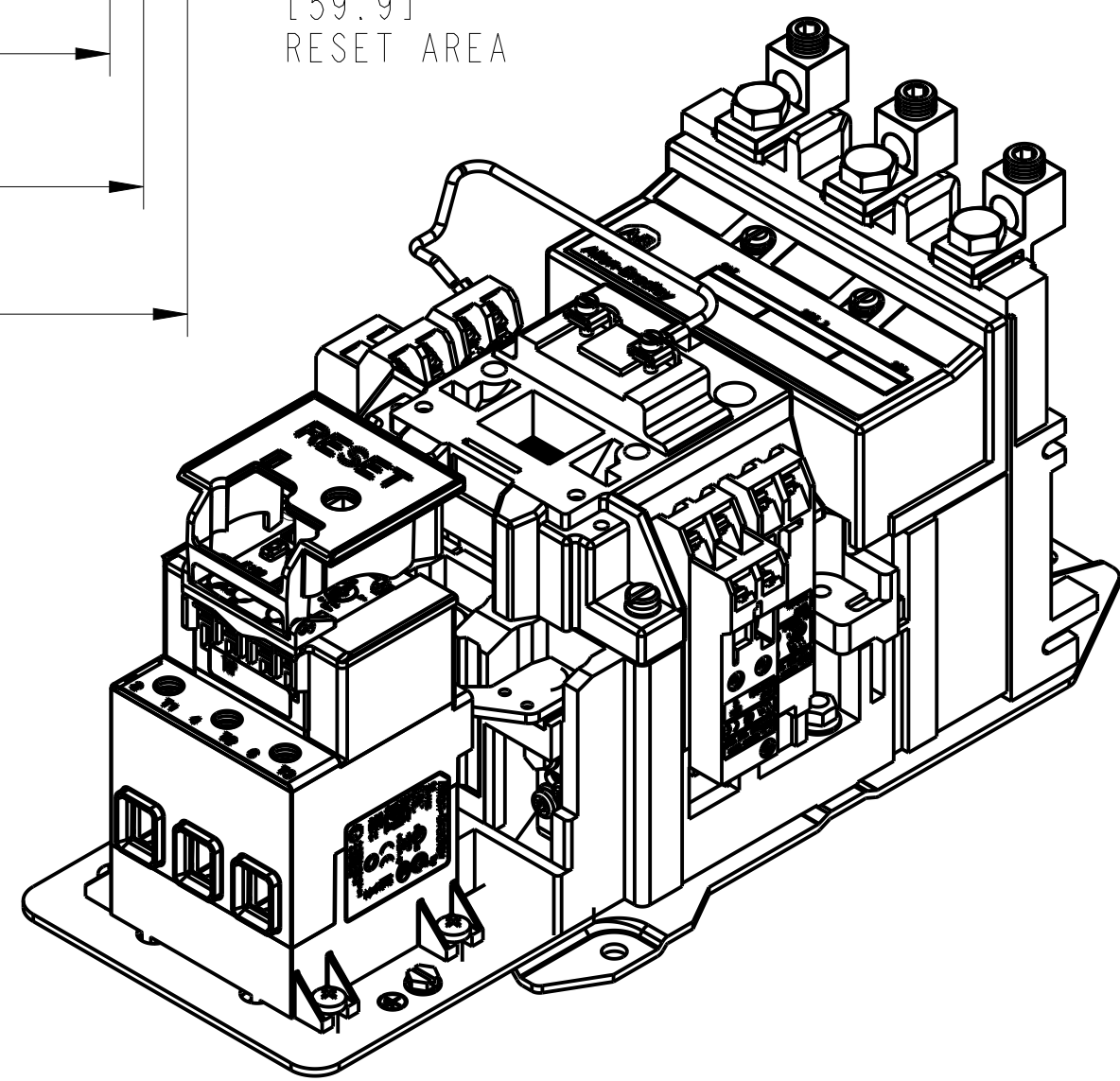
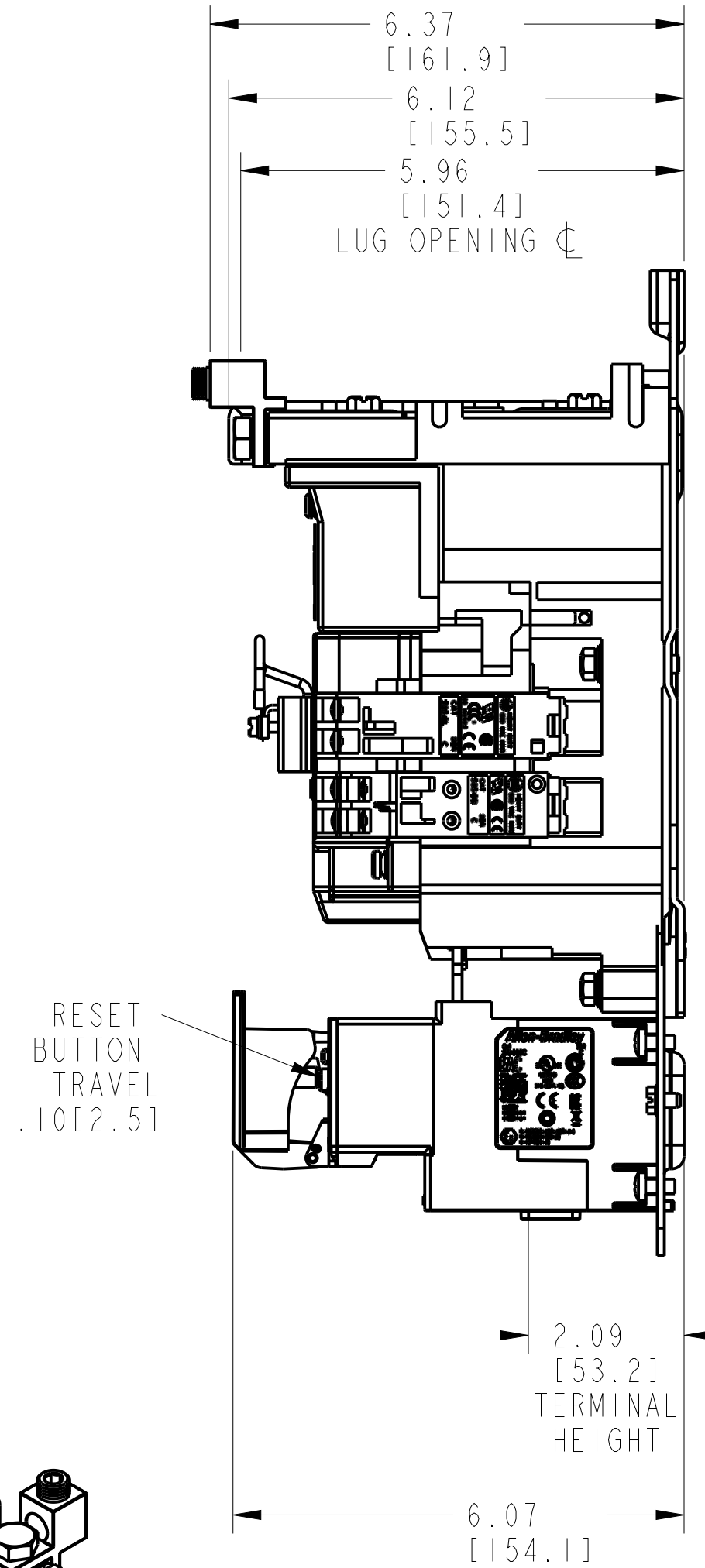
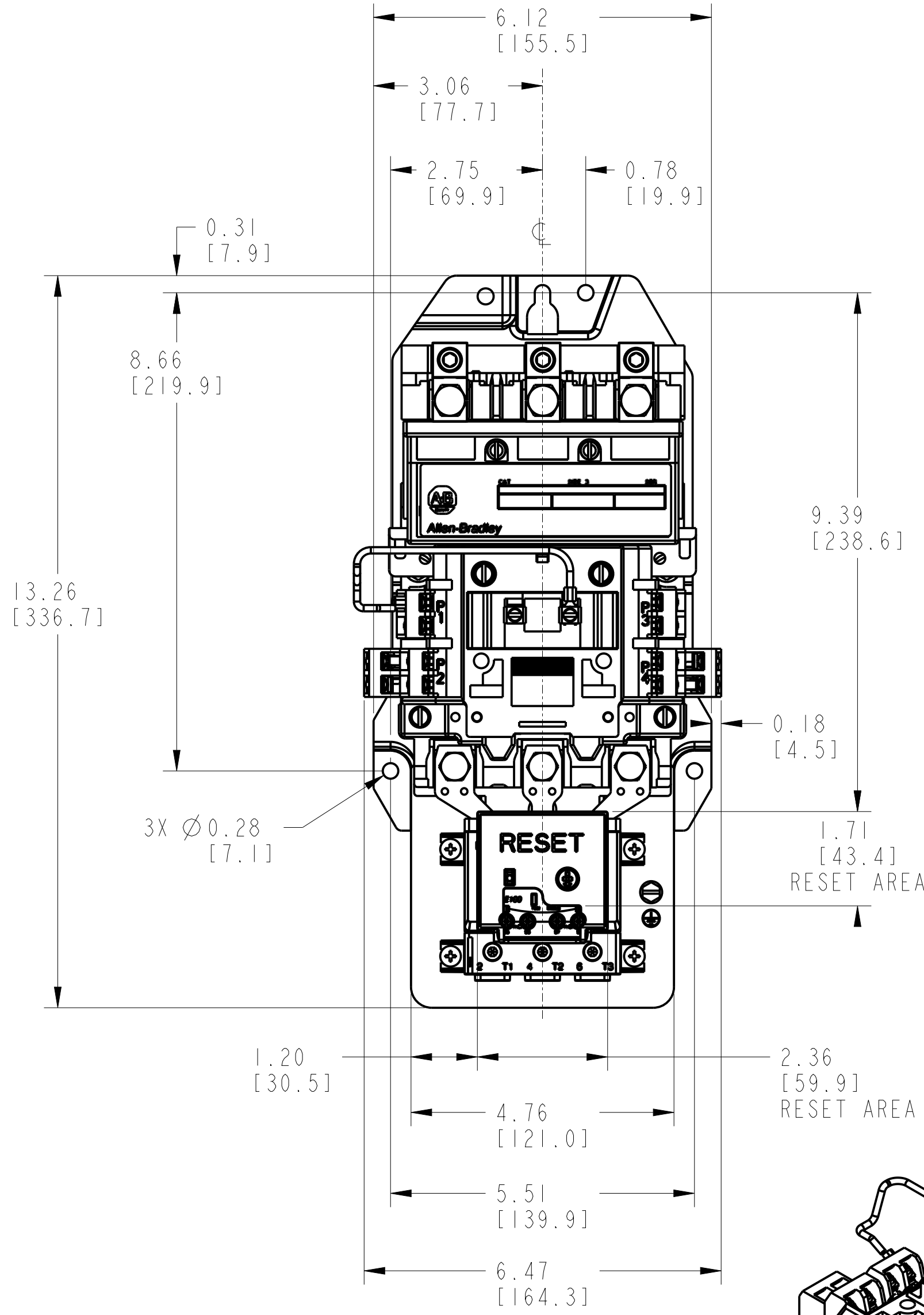
CONFIDENTIAL AND PROPRIETARY INFORMATION.
 THIS DOCUMENT CONTAINS CONFIDENTIAL AND PROPRIETARY
 INFORMATION OF ROCKWELL AUTOMATION, INC. AND MAY
 NOT BE USED, COPIED OR DISCLOSED TO OTHERS, EXCEPT
 WITH THE AUTHORIZED WRITTEN PERMISSION OF ROCKWELL
 AUTOMATION, INC.

DATE:2022-01-15 SHEET 1 OF 2
 SIZE DIR VER
C 10006554833 00

1 2 3 4 5 6 7 8

A
B
C
D
E
F
G
H

A
B
C
D
E
F
G
H



MUST COMPLY WITH ROCKWELL
AUTOMATION ENVIRONMENTAL
SPECIFICATION 970-20-01

10006554875 CAD MODEL

RA Rockwell Automation

OUTLINE DIMENSION DRAWING
509-DO, -A2, NEMA SIZE 3 STARTER
WITH E100 592-1EFGD OLR

DESCRIPTION

CREATED BY:RGRUSHMER CHANGED BY:*****

CONFIDENTIAL AND PROPRIETARY INFORMATION.
THIS DOCUMENT CONTAINS CONFIDENTIAL AND PROPRIETARY
INFORMATION OF ROCKWELL AUTOMATION, INC. AND MAY
NOT BE USED, COPIED OR DISCLOSED TO OTHERS, EXCEPT
WITH THE AUTHORIZED WRITTEN PERMISSION OF ROCKWELL
AUTOMATION, INC.

DATE: 2022-01-15	SHEET 2 OF 2
SIZE DIR	VER
C	10006554833
	00

1 2 3 4 5 6 7 8