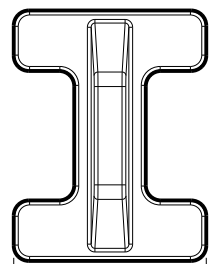
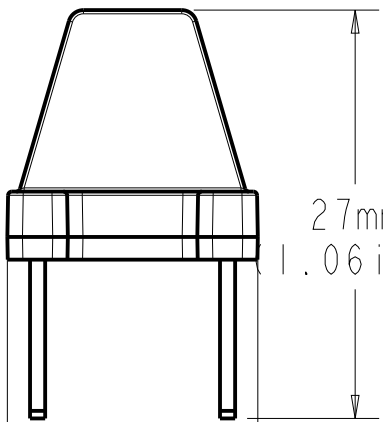
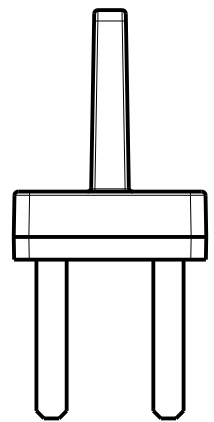


1 2 3 4 5 6 7 8

A
B
C
D
E
F
G
H

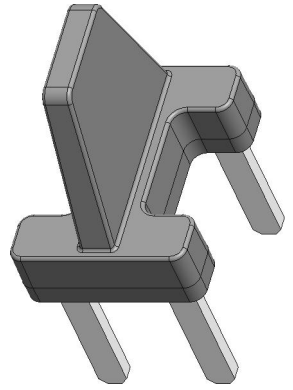


12.7mm
(0.5in.)

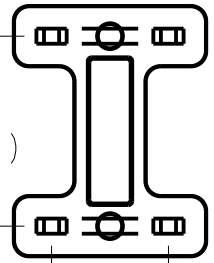


27mm
(1.06in.)

16.6mm
(0.65in.)



SCALE 2.000



12.6mm
(0.49in.)

7.7mm
(0.30in.)

**Rockwell
Automation**

CONFIDENTIAL AND PROPRIETARY INFORMATION.
THIS DOCUMENT CONTAINS CONFIDENTIAL AND PROPRIETARY
INFORMATION OF ROCKWELL AUTOMATION, INC. AND MAY
NOT BE USED, COPIED OR DISCLOSED TO OTHERS, EXCEPT
WITH THE AUTHORIZED WRITTEN PERMISSION OF ROCKWELL
AUTOMATION, INC.

**5094-CONNECTOR,
JUMPER**

SHEET 1 OF 1

DESCRIPTION

SIZE	DIR	VER
A4		

DRAWN BY: YSUPRIA

DATE: 15-MAY-2021