

FIG. 1

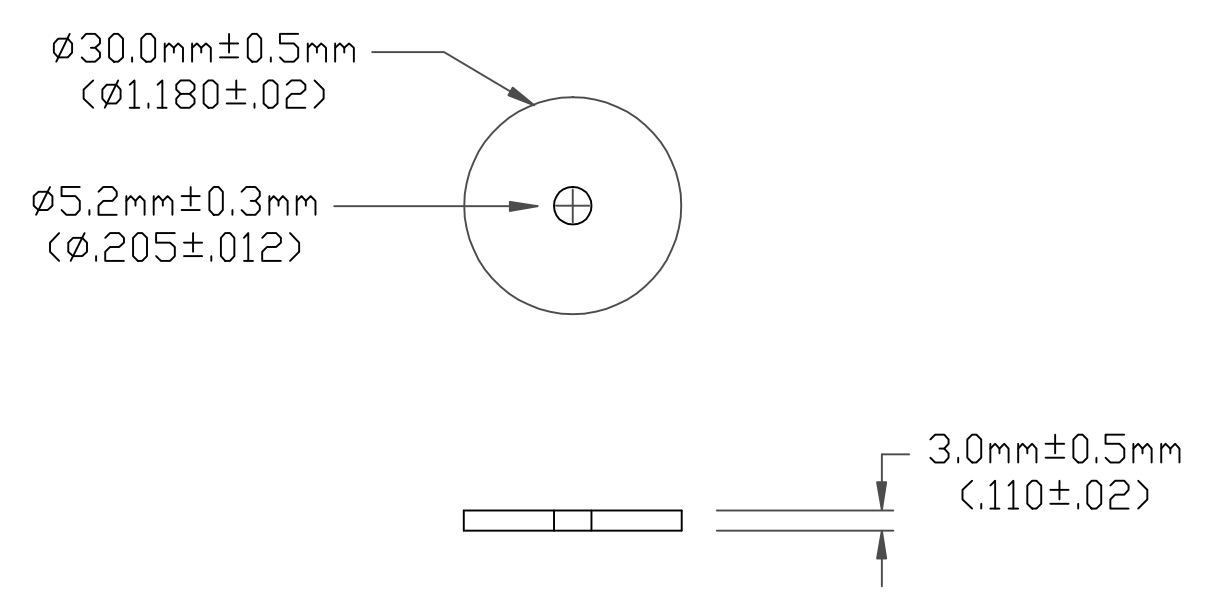


FIG. 2

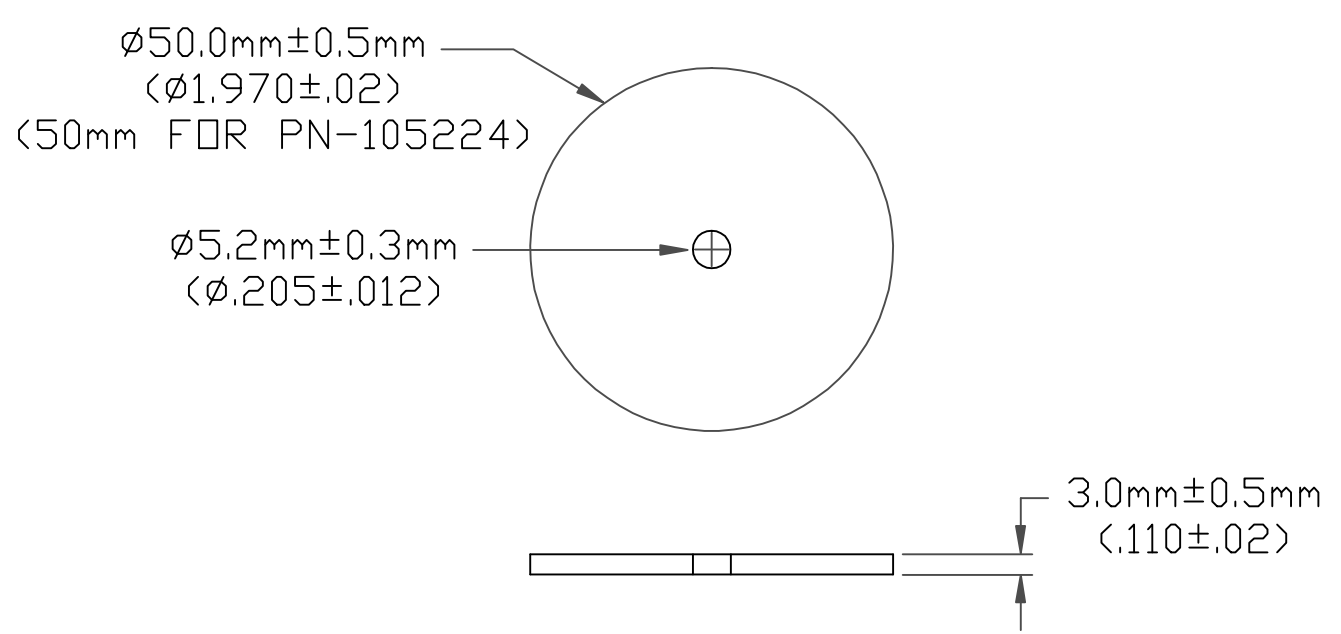


FIG. 3

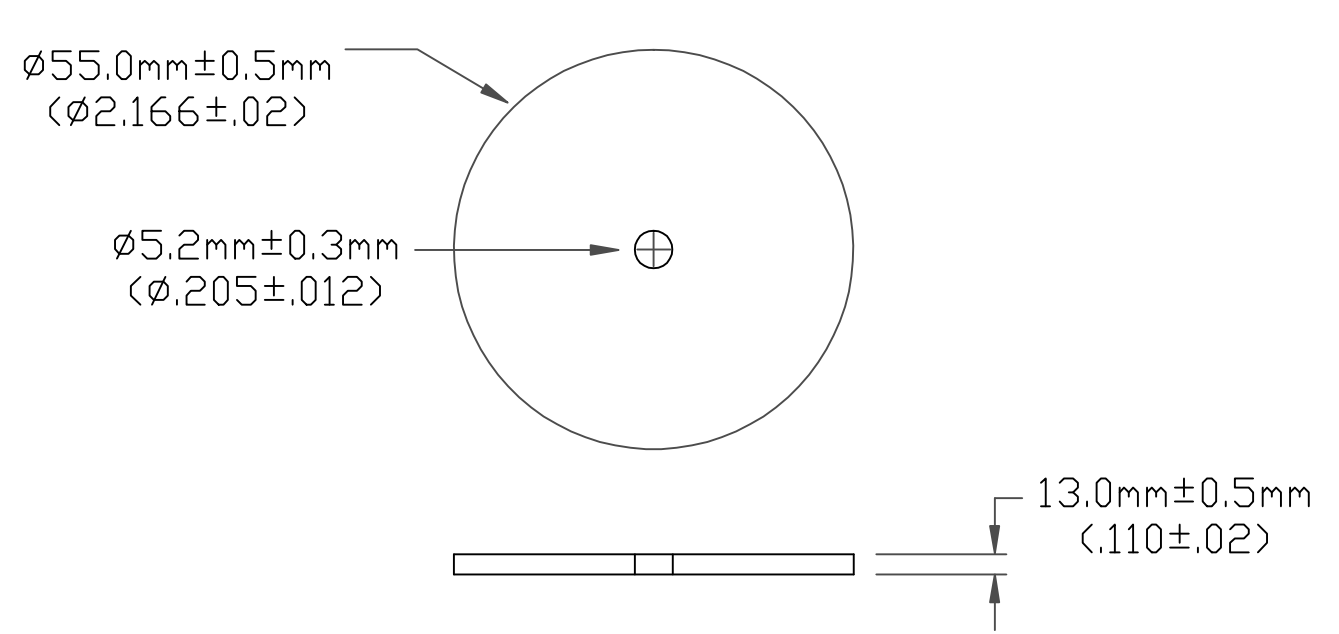
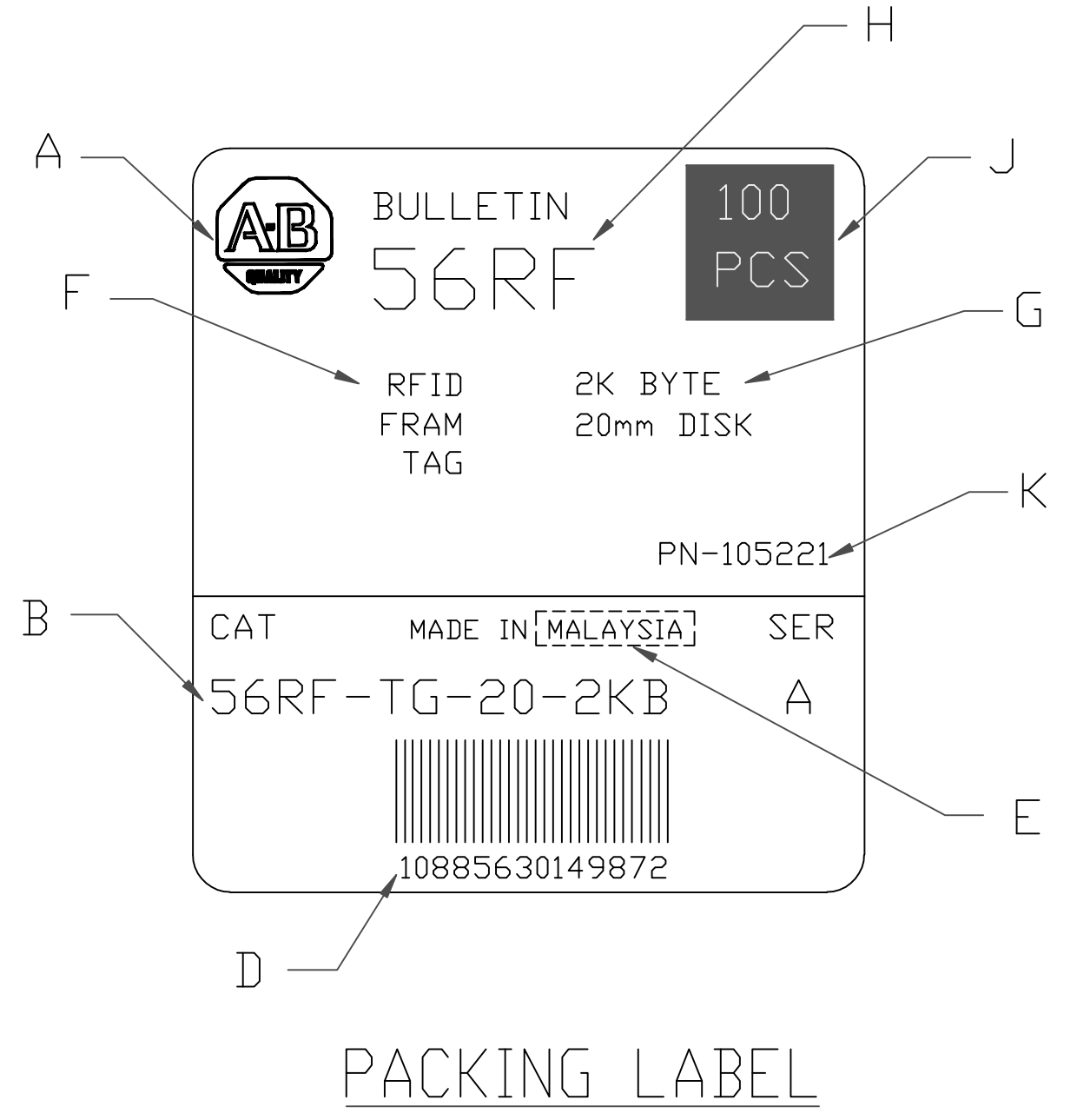


FIG. 4



PACKING LABEL

- PACKING LABEL NOTES:
1. PACKING INFORMATION: PRODUCT TO BE SUPPLIED WITH REQUIRED INFORMATION, CLEARLY LEGIBLE. BLACK PRINTING ON A WHITE BACKGROUND. SEE DIAGRAM AND EXPLANATIONS.
  - A. ALLEN-BRADLEY LOGO: PER DRAWING 40028-500
  - B. CATALOG AND SERIES: (SEE CHART)
  - D. BARCODE: (INTERLEAF 2 OF 5, 14 CHARACTERS, WITH HUMAN READABLE BELOW SEE CHART)
  - E. MADE IN (COUNTRY OF ORIGIN) ALT. ASSEMBLED IN (COUNTRY OF ORIGIN).
  - F. PRIMARY INFORMATION (SEE CHART)
  - G. SECONDARY INFORMATION (SEE CHART)
  - H. BULLETIN CHANGES ACCORDING TO CATALOG.
  - J. QUANTITY OF PIECES SUPPLIED SEE NOTE 6 & (SEE CHART)
  - K. MATERIAL MASTER (SEE CHART)

- NOTES:
1. VENDOR: HID #1010248
  2. TAG TO BE BLACK IN COLOR AND MARKED WITH AB LOGO AND CATALOG#
  3. TAGS TO BE PACKAGED IN A SUITABLE BAG AND MARKED PER PACKING LABEL AND NOTES SHOWN. BAGS TO BE PACKAGED IN A SUITABLE CARTON FOR SHIPPING PURPOSE AND MARKED WITH SAME PACKING LABEL INFO WITH APPROPRIATE QTY. INDICATED.
  4. VENDORS NAME OR LOGO NOT TO APPEAR ON THE TAG OR PACKING.
  5. PARTS MUST CONFORM TO ROCKWELL AUTOMATION ENVIRONMENTAL SPECIFICATION 970-20-01.
  6. CATALOG AND BARCODE SHOWN REPRESENTS 1 TAG. QTY SHOWN IN CHART AND ON PACKING LABEL REPRESENTS QTY OF UNITS PACKED IN BAG.

CLASSIFICATION TABLE				
P = PERFORMANCE, F = FIT, A = ASSEMBLY (USE ONLY WITH $\diamond$ SYMBOL)				
X = IDENTIFIES APPLICABLE CLASSIFICATIONS $\diamond$ = REQUIRED BY ENGINEERING AND/OR MANUFACTURING				
$\textcircled{R}$ = STRICT CONFORMANCE TO SPECIFICATION REQUIRED AND IS NOT NEGOTIABLE (MAY BE REQUIRED BY REGULATORY AGENCY)				
CHARACTERISTIC OR DIMENSION	$\diamond$ P	$\diamond$ F	$\diamond$ A	$\textcircled{R}$
NOTE 5				X

PN-183289	56RF-TG-50-2KBM0M	A	634185-301	10	4	RFID FRAM TAG	2K BYTE 50mm DISK MOUNT ON METAL	00885630401041
PN-105224	56RF-TG-50-2KB	A	634185-001	100	3	RFID FRAM TAG	2K BYTE 50mm DISK	10885630149896
PN-105223	56RF-TG-30-2KB	A	634183-001	100	2	RFID FRAM TAG	2K BYTE 30mm DISK	10885630149889
PN-105221	56RF-TG-20-2KB	A	634182-001	100	1	RFID FRAM TAG	2K BYTE 20mm DISK	10885630149872
MATERIAL MASTER	CATALOG #	SERIES	REF. HID #	QTY	FIG.	PRIMARY INFORMATION	SECONDARY INFORMATION	BARCODE

		<small>CONFIDENTIAL AND PROPRIETARY INFORMATION. THIS DOCUMENT CONTAINS CONFIDENTIAL AND PROPRIETARY INFORMATION OF ROCKWELL AUTOMATION, INC. AND MAY NOT BE USED, COPIED OR DISCLOSED TO OTHERS, EXCEPT WITH THE AUTHORIZED WRITTEN PERMISSION OF ROCKWELL AUTOMATION, INC.</small>	
		Sheet 1 of 1	Ver 02
RFID, FRAM Tag		Size D	10000162916
Drawn by: RAFORTIE	Date: 03/18/2013		