

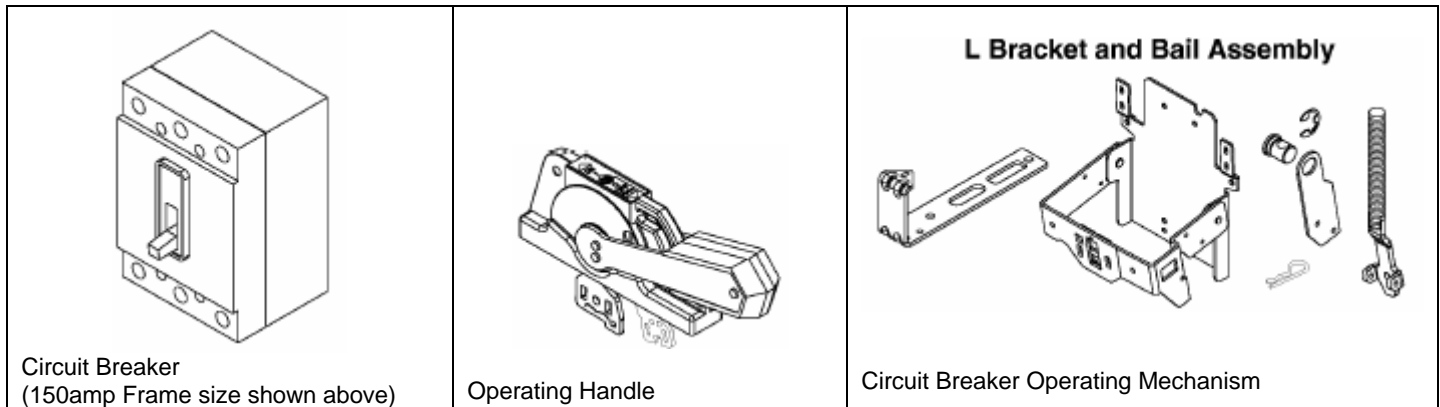
**Repair Parts for Bulletin 513 Combination Starters with Circuit Breaker
Sizes 0 through 7, Series One Construction NEMA Enclosure Types 1, 3R/12, 4/4X (Stainless Steel)**

Circuit Breaker, Circuit Breaker Handle and Operating Mechanism Repair Parts

Circuit breaker includes line and load lugs. Circuit breaker type is a Westinghouse HMCP Instantaneous Trip breaker.

Part numbers for Type 12 handles include the gasket. All part numbers include defeater lever.

Circuit breaker operating (bail) mechanism operates the 'on-off' toggle switch on the circuit breaker.



NEMA Size	Breaker Size (A)	Line/Motor Voltage	Motor HP	513 Catalog Number (D)=120V Separate Control	Repair Part Number for Circuit Breaker	Repair Part Number for Circuit Breaker Handle	Repair Part No. for Circuit Breaker Operating Mechanism
Size 0	3	200-208V 60Hz	0 - 1/3	513-AAH(D)-32	1401-N60	1494F-P1	1494D-MB150
				513-ADH(D)-32	1401-N60	1494F-M1	1494D-MB150
				513-AFH(D)-32	1401-N60	1494F-P1	1494D-MB150
				513-AJH(D)-32	1401-N60	1494F-M1	1494D-MB150
				513-ACH(D)-32	1401-N60	1494F-S1	1494D-MB150
	3	230-240V 60Hz	0 - 1/3	513-AAA(D)-32	1401-N60	1494F-P1	1494D-MB150
				513-ADA(D)-32	1401-N60	1494F-M1	1494D-MB150
				513-AFA(D)-32	1401-N60	1494F-P1	1494D-MB150
				513-AJA(D)-32	1401-N60	1494F-M1	1494D-MB150
				513-ACA(D)-32	1401-N60	1494F-S1	1494D-MB150
	3	380-415V 50Hz	0 - 0.75	513-AAN(S)-34	1401-N60	1494F-P1	1494D-MB150
				513-ADN(S)-34	1401-N60	1494F-M1	1494D-MB150
				513-AFN(S)-34	1401-N60	1494F-P1	1494D-MB150
				513-AJN(S)-34	1401-N60	1494F-M1	1494D-MB150
				513-ACN(S)-34	1401-N60	1494F-S1	1494D-MB150
	3	460-480V 60Hz	0 - 1	513-AAB(D)-35	1401-N60	1494F-P1	1494D-MB150
				513-ADB(D)-35	1401-N60	1494F-M1	1494D-MB150
				513-AFB(D)-35	1401-N60	1494F-P1	1494D-MB150
				513-AJB(D)-35	1401-N60	1494F-M1	1494D-MB150
				513-ACB(D)-35	1401-N60	1494F-S1	1494D-MB150
	3	575-600V 60Hz	0 - 1	513-AAC(D)-35	1401-N60	1494F-P1	1494D-MB150
				513-ADC(D)-35	1401-N60	1494F-M1	1494D-MB150
				513-AFC(D)-35	1401-N60	1494F-P1	1494D-MB150
				513-AJC(D)-35	1401-N60	1494F-M1	1494D-MB150
				513-ACC(D)-35	1401-N60	1494F-S1	1494D-MB150
	7	200-208V 60Hz	0.5 - 1	513-AAH(D)-35	1401-N61	1494F-P1	1494D-MB150
				513-ADH(D)-35	1401-N61	1494F-M1	1494D-MB150
				513-AFH(D)-35	1401-N61	1494F-P1	1494D-MB150
				513-AJH(D)-35	1401-N61	1494F-M1	1494D-MB150
				513-ACH(D)-35	1401-N61	1494F-S1	1494D-MB150
	7	230-240V 60Hz	0.5 - 1	513-AAA(D)-35	1401-N61	1494F-P1	1494D-MB150
				513-ADA(D)-35	1401-N61	1494F-M1	1494D-MB150
				513-AFA(D)-35	1401-N61	1494F-P1	1494D-MB150
				513-AJA(D)-35	1401-N61	1494F-M1	1494D-MB150
				513-ACA(D)-35	1401-N61	1494F-S1	1494D-MB150
	7	380-400V 50Hz	1 - 2	513-AAN(S)-37	1401-N61	1494F-P1	1494D-MB150
				513-ADN(S)-37	1401-N61	1494F-M1	1494D-MB150
				513-AFN(S)-37	1401-N61	1494F-P1	1494D-MB150
				513-AJN(S)-37	1401-N61	1494F-M1	1494D-MB150
				513-ACN(S)-37	1401-N61	1494F-S1	1494D-MB150

**Repair Parts for Bulletin 513 Combination Starters with Circuit Breaker
Sizes 0 through 7, Series One Construction NEMA Enclosure Types 1, 3R/12, 4/4X (Stainless Steel)**

Circuit Breaker, Circuit Breaker Handle and Operating Mechanism Repair Parts

Circuit breaker includes line and load lugs. Circuit breaker type is a Westinghouse HMCP Instantaneous Trip breaker.

Part numbers for Type 12 handles include the gasket. All handle part numbers include defeater lever.

Circuit breaker operating (bail) mechanism operates the 'on-off' toggle switch on the circuit breaker.

NEMA Size	Breaker Size (A)	Line/Motor Voltage	Motor HP	513 Catalog Number (D)=120V Separate Control	Repair Part Number for Circuit Breaker	Repair Part Number for Circuit Breaker Handle	Repair Part No. for Circuit Breaker Operating Mechanism
Size 0	7	460-480V 60Hz	1.5 - 3	513-AAB(D)-38	1401-N61	1494F-P1	1494D-MB150
				513-ADB(D)-38	1401-N61	1494F-M1	1494D-MB150
				513-AFB(D)-38	1401-N61	1494F-P1	1494D-MB150
				513-AJB(D)-38	1401-N61	1494F-M1	1494D-MB150
				513-ACB(D)-38	1401-N61	1494F-S1	1494D-MB150
	7	575-600V 60Hz	1.5 - 3	513-AAC(D)-38	1401-N61	1494F-P1	1494D-MB150
				513-ADC(D)-38	1401-N61	1494F-M1	1494D-MB150
				513-AFC(D)-38	1401-N61	1494F-P1	1494D-MB150
				513-AJC(D)-38	1401-N61	1494F-M1	1494D-MB150
				513-ACC(D)-38	1401-N61	1494F-S1	1494D-MB150
	15	200-208V 60Hz	1.5 - 3	513-AAH(D)-38	1401-N62	1494F-P1	1494D-MB150
				513-ADH(D)-38	1401-N62	1494F-M1	1494D-MB150
				513-AFH(D)-38	1401-N62	1494F-P1	1494D-MB150
				513-AJH(D)-38	1401-N62	1494F-M1	1494D-MB150
				513-ACH(D)-38	1401-N62	1494F-S1	1494D-MB150
	15	230-240V 60Hz	1.5 - 3	513-AAA(D)-38	1401-N62	1494F-P1	1494D-MB150
				513-ADA(D)-38	1401-N62	1494F-M1	1494D-MB150
				513-AFA(D)-38	1401-N62	1494F-P1	1494D-MB150
				513-AJA(D)-38	1401-N62	1494F-M1	1494D-MB150
				513-ACA(D)-38	1401-N62	1494F-S1	1494D-MB150
	15	460-480V 60Hz	5	513-AAB(D)-39	1401-N62	1494F-P1	1494D-MB150
				513-ADB(D)-39	1401-N62	1494F-M1	1494D-MB150
				513-AFB(D)-39	1401-N62	1494F-P1	1494D-MB150
				513-AJB(D)-39	1401-N62	1494F-M1	1494D-MB150
				513-ACB(D)-39	1401-N62	1494F-S1	1494D-MB150
	15	575-600V 60Hz	5	513-AAC(D)-39	1401-N62	1494F-P1	1494D-MB150
				513-ADC(D)-39	1401-N62	1494F-M1	1494D-MB150
				513-AFC(D)-39	1401-N62	1494F-P1	1494D-MB150
				513-AJC(D)-39	1401-N62	1494F-M1	1494D-MB150
				513-ACC(D)-39	1401-N62	1494F-S1	1494D-MB150
Size 1	3	200-208V 60Hz	0 - 1/3	513-BAH(D)-32	1401-N60	1494F-P1	1494D-MB150
				513-BDH(D)-32	1401-N60	1494F-M1	1494D-MB150
				513-BFH(D)-32	1401-N60	1494F-P1	1494D-MB150
				513-BJH(D)-32	1401-N60	1494F-M1	1494D-MB150
				513-BCH(D)-32	1401-N60	1494F-S1	1494D-MB150
	3	230-240V 60Hz	0 - 1/3	513-BAA(D)-32	1401-N60	1494F-P1	1494D-MB150
				513-BDA(D)-32	1401-N60	1494F-M1	1494D-MB150
				513-BFA(D)-32	1401-N60	1494F-P1	1494D-MB150
				513-BJA(D)-32	1401-N60	1494F-M1	1494D-MB150
				513-BCA(D)-32	1401-N60	1494F-S1	1494D-MB150
	3	380-415V 50Hz	0 - 0.75	513-BAN(S)-34	1401-N60	1494F-P1	1494D-MB150
				513-BDN(S)-34	1401-N60	1494F-M1	1494D-MB150
				513-BFN(S)-34	1401-N60	1494F-P1	1494D-MB150
				513-BJN(S)-34	1401-N60	1494F-M1	1494D-MB150
				513-BCN(S)-34	1401-N60	1494F-S1	1494D-MB150
	3	460-480V 60Hz	0 - 1	513-BAB(D)-35	1401-N60	1494F-P1	1494D-MB150
				513-BDB(D)-35	1401-N60	1494F-M1	1494D-MB150
				513-BFB(D)-35	1401-N60	1494F-P1	1494D-MB150
				513-BJB(D)-35	1401-N60	1494F-M1	1494D-MB150
				513-BCB(D)-35	1401-N60	1494F-S1	1494D-MB150
	3	575-600V 60Hz	0 - 1	513-BAC(D)-35	1401-N60	1494F-P1	1494D-MB150
				513-BDC(D)-35	1401-N60	1494F-M1	1494D-MB150
				513-BFC(D)-35	1401-N60	1494F-P1	1494D-MB150
				513-BJC(D)-35	1401-N60	1494F-M1	1494D-MB150
				513-BCC(D)-35	1401-N60	1494F-S1	1494D-MB150

**Repair Parts for Bulletin 513 Combination Starters with Circuit Breaker
Sizes 0 through 7, Series One Construction NEMA Enclosure Types 1, 3R/12, 4/4X (Stainless Steel)**

Circuit Breaker, Circuit Breaker Handle and Operating Mechanism Repair Parts

Circuit breaker includes line and load lugs. Circuit breaker type is a Westinghouse HMCP Instantaneous Trip breaker.

Part numbers for Type 12 handles include the gasket. All part numbers include defeater lever.

Circuit breaker operating (bail) mechanism operates the 'on-off' toggle switch on the circuit breaker.

NEMA Size	Breaker Size (A)	Line/Motor Voltage	Motor HP	513 Catalog Number (D)=120V Sep. Control	Repair Part Number for Circuit Breaker	Repair Part Number for Circuit Breaker Handle	Repair Part No. for Circuit Breaker Operating Mechanism
Size 1	7	200-208V 60Hz	0.5 - 1	513-BAH(D)-35	1401-N61	1494F-P1	1494D-MB150
				513-BDH(D)-35	1401-N61	1494F-M1	1494D-MB150
				513-BFH(D)-35	1401-N61	1494F-P1	1494D-MB150
				513-BJH(D)-35	1401-N61	1494F-M1	1494D-MB150
				513-BCH(D)-35	1401-N61	1494F-S1	1494D-MB150
	7	230-240V 60Hz	0.5 - 1	513-BAA(D)-35	1401-N61	1494F-P1	1494D-MB150
				513-BDA(D)-35	1401-N61	1494F-M1	1494D-MB150
				513-BFA(D)-35	1401-N61	1494F-P1	1494D-MB150
				513-BJA(D)-35	1401-N61	1494F-M1	1494D-MB150
				513-BCA(D)-35	1401-N61	1494F-S1	1494D-MB150
	7	380-400V 50Hz	1 - 2	513-BAN(S)-37	1401-N61	1494F-P1	1494D-MB150
				513-BDN(S)-37	1401-N61	1494F-M1	1494D-MB150
				513-BFN(S)-37	1401-N61	1494F-P1	1494D-MB150
				513-BJN(S)-37	1401-N61	1494F-M1	1494D-MB150
				513-BCN(S)-37	1401-N61	1494F-S1	1494D-MB150
	7	460-480V 60Hz	1.5 - 3	513-BAB(D)-38	1401-N61	1494F-P1	1494D-MB150
				513-BDB(D)-38	1401-N61	1494F-M1	1494D-MB150
				513-BFB(D)-38	1401-N61	1494F-P1	1494D-MB150
				513-BJB(D)-38	1401-N61	1494F-M1	1494D-MB150
				513-BCB(D)-38	1401-N61	1494F-S1	1494D-MB150
	7	575-600V 60Hz	1.5 - 3	513-BAC(D)-38	1401-N61	1494F-P1	1494D-MB150
				513-BDC(D)-38	1401-N61	1494F-M1	1494D-MB150
				513-BFC(D)-38	1401-N61	1494F-P1	1494D-MB150
				513-BJC(D)-38	1401-N61	1494F-M1	1494D-MB150
				513-BCC(D)-38	1401-N61	1494F-S1	1494D-MB150
	15	200-208V 60Hz	1.5 - 3	513-BAH(D)-38	1401-N62	1494F-P1	1494D-MB150
				513-BDH(D)-38	1401-N62	1494F-M1	1494D-MB150
				513-BFH(D)-38	1401-N62	1494F-P1	1494D-MB150
				513-BJH(D)-38	1401-N62	1494F-M1	1494D-MB150
				513-BCH(D)-38	1401-N62	1494F-S1	1494D-MB150
	15	230-240V 60Hz	1.5 - 3	513-BAA(D)-38	1401-N62	1494F-P1	1494D-MB150
				513-BDA(D)-38	1401-N62	1494F-M1	1494D-MB150
				513-BFA(D)-38	1401-N62	1494F-P1	1494D-MB150
				513-BJA(D)-38	1401-N62	1494F-M1	1494D-MB150
				513-BCA(D)-38	1401-N62	1494F-S1	1494D-MB150
	30	200-208V 60Hz	5	513-BAH(D)-39	1401-N63	1494F-P1	1494D-MB150
				513-BDH(D)-39	1401-N63	1494F-M1	1494D-MB150
				513-BFH(D)-39	1401-N63	1494F-P1	1494D-MB150
				513-BJH(D)-39	1401-N63	1494F-M1	1494D-MB150
				513-BCH(D)-39	1401-N63	1494F-S1	1494D-MB150
	15	380-415V 50Hz	3 - 5	513-BAN(S)-39	1401-N63	1494F-P1	1494D-MB150
				513-BDN(S)-39	1401-N63	1494F-M1	1494D-MB150
				513-BFN(S)-39	1401-N63	1494F-P1	1494D-MB150
				513-BJN(S)-39	1401-N63	1494F-M1	1494D-MB150
				513-BCN(S)-39	1401-N63	1494F-S1	1494D-MB150
	15	460-480V 60Hz	7.5	513-BAB(D)-40	1401-N62	1494F-P1	1494D-MB150
				513-BDB(D)-40	1401-N62	1494F-M1	1494D-MB150
				513-BFB(D)-40	1401-N62	1494F-P1	1494D-MB150
				513-BJB(D)-40	1401-N62	1494F-M1	1494D-MB150
				513-BCB(D)-40	1401-N62	1494F-S1	1494D-MB150
	15	575-600V 60Hz	7.5	513-BAC(D)-40	1401-N62	1494F-P1	1494D-MB150
				513-BDC(D)-40	1401-N62	1494F-M1	1494D-MB150
				513-BFC(D)-40	1401-N62	1494F-P1	1494D-MB150
				513-BJC(D)-40	1401-N62	1494F-M1	1494D-MB150
				513-BCC(D)-40	1401-N62	1494F-S1	1494D-MB150

**Repair Parts for Bulletin 513 Combination Starters with Circuit Breaker
Sizes 0 through 7, Series One Construction NEMA Enclosure Types 1, 3R/12, 4/4X (Stainless Steel)**

Circuit Breaker, Circuit Breaker Handle and Operating Mechanism Repair Parts

Circuit breaker includes line and load lugs. Circuit breaker type is a Westinghouse HMCP Instantaneous Trip breaker.

Part numbers for type 12 handles include the gasket. All part numbers include defeater lever.

Circuit breaker operating (bail) mechanism operates the 'on-off' toggle switch on the circuit breaker.

NEMA Size	Breaker Size (A)	Line/Motor Voltage	Motor HP	513 Catalog Number (D)=120V Sep. Control	Repair Part Number for Circuit Breaker	Repair Part Number for Circuit Breaker Handle	Repair Part No. for Circuit Breaker Operating Mechanism
Size 1	30	380-415V 50Hz	7.5 - 10	513-BAN(S)-41	1401-N63	1494F-P1	1494D-MB150
				513-BDN(S)-41	1401-N63	1494F-M1	1494D-MB150
				513-BFN(S)-41	1401-N63	1494F-P1	1494D-MB150
				513-BJN(S)-41	1401-N63	1494F-M1	1494D-MB150
				513-BCN(S)-41	1401-N63	1494F-S1	1494D-MB150
	30	460-480V 60Hz	10	513-BAB(D)-41	1401-N63	1494F-P1	1494D-MB150
				513-BDB(D)-41	1401-N63	1494F-M1	1494D-MB150
				513-BFB(D)-41	1401-N63	1494F-P1	1494D-MB150
				513-BJB(D)-41	1401-N63	1494F-M1	1494D-MB150
				513-BCB(D)-41	1401-N63	1494F-S1	1494D-MB150
	30	575-600V 60Hz	10	513-BAC(D)-41	1401-N63	1494F-P1	1494D-MB150
				513-BDC(D)-41	1401-N63	1494F-M1	1494D-MB150
				513-BFC(D)-41	1401-N63	1494F-P1	1494D-MB150
				513-BJC(D)-41	1401-N63	1494F-M1	1494D-MB150
				513-BCC(D)-41	1401-N63	1494F-S1	1494D-MB150
Size 2	50	200-208V 60Hz	10	513-CAH(D)-41	1401-N64	1494F-P1	1494D-MB150
				513-CDH(D)-41	1401-N64	1494F-M1	1494D-MB150
				513-CFH(D)-41	1401-N64	1494F-P1	1494D-MB150
				513-CJH(D)-41	1401-N64	1494F-M1	1494D-MB150
				513-CCH(D)-41	1401-N64	1494F-S1	1494D-MB150
	50	230-240V 60Hz	10	513-CAA(D)-41	1401-N64	1494F-P1	1494D-MB150
				513-CDA(D)-41	1401-N64	1494F-M1	1494D-MB150
				513-CFDA(D)-41	1401-N64	1494F-P1	1494D-MB150
				513-CJA(D)-41	1401-N64	1494F-M1	1494D-MB150
				513-CCA(D)-41	1401-N64	1494F-S1	1494D-MB150
	30	460-480V 60Hz	15	513-CAB(D)-42	1401-N63	1494F-P1	1494D-MB150
				513-CDB(D)-42	1401-N63	1494F-M1	1494D-MB150
				513-CFB(D)-42	1401-N63	1494F-P1	1494D-MB150
				513-CJB(D)-42	1401-N63	1494F-M1	1494D-MB150
				513-CCB(D)-42	1401-N63	1494F-S1	1494D-MB150
	30	575-600V 60Hz	15	513-CAC(D)-42	1401-N63	1494F-P1	1494D-MB150
				513-CDC(D)-42	1401-N63	1494F-M1	1494D-MB150
				513-CFC(D)-42	1401-N63	1494F-P1	1494D-MB150
				513-CJC(D)-42	1401-N63	1494F-M1	1494D-MB150
				513-CCC(D)-42	1401-N63	1494F-S1	1494D-MB150
	100	230-240V 60Hz	15	513-CAA(D)-42	1401-N65	1494F-P1	1494D-MB150
				513-CDA(D)-42	1401-N65	1494F-M1	1494D-MB150
				513-CFA(D)-42	1401-N65	1494F-P1	1494D-MB150
				513-CJA(D)-42	1401-N65	1494F-M1	1494D-MB150
				513-CCA(D)-42	1401-N65	1494F-S1	1494D-MB150
	50	380-415V 50Hz	15 - 20	513-CAN(S)-43	1401-N64	1494F-P1	1494D-MB150
				513-CDN(S)-43	1401-N64	1494F-M1	1494D-MB150
				513-CFN(S)-43	1401-N64	1494F-P1	1494D-MB150
				513-CJN(S)-43	1401-N64	1494F-M1	1494D-MB150
				513-CCN(S)-43	1401-N64	1494F-S1	1494D-MB150
	100	380-415V 50Hz	25	513-CAN(S)-44	1401-N65	1494F-P1	1494D-MB150
				513-CDN(S)-44	1401-N65	1494F-M1	1494D-MB150
				513-CFN(S)-43	1401-N65	1494F-P1	1494D-MB150
				513-CJN(S)-44	1401-N65	1494F-M1	1494D-MB150
				513-CCN(S)-44	1401-N65	1494F-S1	1494D-MB150
	50	460-480V 60Hz	20 - 25	513-CAB(D)-44	1401-N64	1494F-P1	1494D-MB150
				513-CDB(D)-44	1401-N64	1494F-M1	1494D-MB150
				513-CFB(D)-44	1401-N64	1494F-P1	1494D-MB150
				513-CJB(D)-44	1401-N64	1494F-M1	1494D-MB150
				513-CCB(D)-44	1401-N64	1494F-S1	1494D-MB150

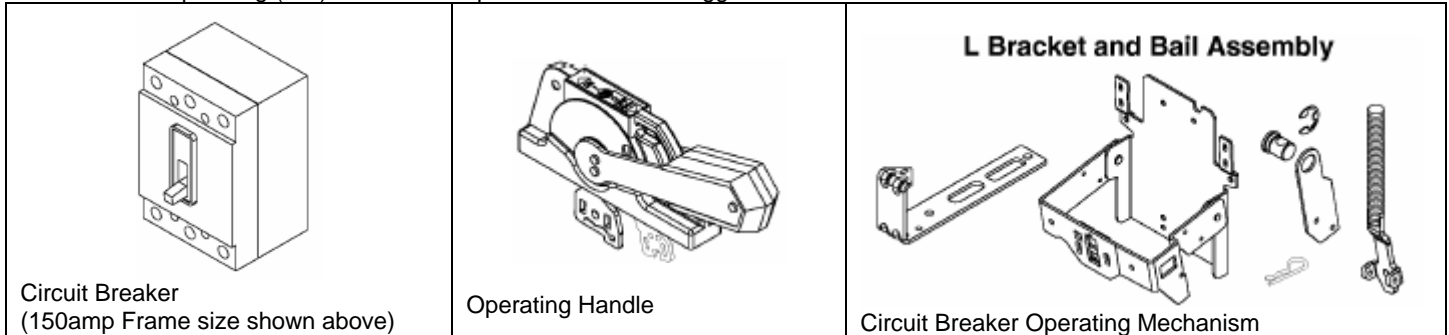
**Repair Parts for Bulletin 513 Combination Starters with Circuit Breaker
 Sizes 0 through 7, Series One Construction NEMA Enclosure Types 1, 3R/12, 4/4X (Stainless Steel)**

Circuit Breaker, Circuit Breaker Handle and Operating Mechanism Repair Parts

Circuit breaker includes line and load lugs. Circuit breaker type is a Westinghouse HMCP Instantaneous Trip breaker.

Part numbers for Type 12 handles include the gasket. All part numbers include defeater lever.

Circuit breaker operating (bail) mechanism operates the 'on-off' toggle switch on the circuit breaker.



Circuit Breaker (150amp Frame size shown above)			Operating Handle		Circuit Breaker Operating Mechanism		
NEMA Size	Breaker Size (A)	Line/Motor Voltage	Motor HP	513 Catalog Number (D)=120V Sep. Control	Repair Part Number for Circuit Breaker	Repair Part Number for Circuit Breaker Handle	Repair Part No. for Circuit Breaker Operating Mechanism
Size 2	50	575-600V 60Hz	20 - 25	513-CAC(D)-44	1401-N64	1494F-P1	1494D-MB150
				513-CDC(D)-44	1401-N64	1494F-M1	1494D-MB150
				513-CFC(D)-44	1401-N64	1494F-P1	1494D-MB150
				513-CJC(D)-44	1401-N64	1494F-M1	1494D-MB150
				513-CCC(D)-44	1401-N64	1494F-S1	1494D-MB150
Size 3	100	200-208V 60Hz	15 - 25	513-DAH(D)-44	1401-N65	1494F-P1	1494D-MB150
				513-DDH(D)-44	1401-N65	1494F-M1	1494D-MB150
				513-DFH(D)-44	1401-N65	1494F-P1	1494D-MB150
				513-DJH(D)-44	1401-N65	1494F-M1	1494D-MB150
				513-DCH(D)-44	1401-N65	1494F-S1	1494D-MB150
	100	230-240V 60Hz	25	513-DAA(D)-44	1401-N65	1494F-P1	1494D-MB150
				513-DDA(D)-44	1401-N65	1494F-M1	1494D-MB150
				513-DFA(D)-44	1401-N65	1494F-P1	1494D-MB150
				513-DJA(D)-44	1401-N65	1494F-M1	1494D-MB150
				513-DCA(D)-44	1401-N65	1494F-S1	1494D-MB150
	150	230-240V 60Hz	30	513-DAA(D)-45	1401-N66	1494F-P1	1494D-MB150
				513-DDA(D)-45	1401-N66	1494F-M1	1494D-MB150
				513-DFA(D)-45	1401-N66	1494F-P1	1494D-MB150
				513-DJA(D)-45	1401-N66	1494F-M1	1494D-MB150
				513-DCA(D)-45	1401-N66	1494F-S1	1494D-MB150
	50	575-600V 60Hz	30	513-DAC(D)-45	1401-N64	1494F-P1	1494D-MB150
				513-DDC(D)-45	1401-N64	1494F-M1	1494D-MB150
				513-DFC(D)-45	1401-N64	1494F-P1	1494D-MB150
				513-DJC(D)-45	1401-N64	1494F-M1	1494D-MB150
				513-DCC(D)-45	1401-N64	1494F-S1	1494D-MB150
	100	380-415V 50Hz	30 - 40	513-DAN(S)-46	1401-N65	1494F-P1	1494D-MB150
				513-DDN(S)-46	1401-N65	1494F-M1	1494D-MB150
				513-DFN(S)-46	1401-N65	1494F-P1	1494D-MB150
				513-DJN(S)-46	1401-N65	1494F-M1	1494D-MB150
				513-DCN(S)-46	1401-N65	1494F-S1	1494D-MB150
	100	460-480V 60Hz	30 - 50	513-DAB(D)-47	1401-N65	1494F-P1	1494D-MB150
				513-DBB(D)-47	1401-N65	1494F-M1	1494D-MB150
				513-DFB(D)-47	1401-N65	1494F-P1	1494D-MB150
				513-DJB(D)-47	1401-N65	1494F-M1	1494D-MB150
				513-DCB(D)-47	1401-N65	1494F-S1	1494D-MB150
	100	575-600V 60Hz	40 - 50	513-DAC(D)-47	1401-N65	1494F-P1	1494D-MB150
				513-DDC(D)-47	1401-N65	1494F-M1	1494D-MB150
				513-DFC(D)-47	1401-N65	1494F-P1	1494D-MB150
				513-DJC(D)-47	1401-N65	1494F-M1	1494D-MB150
				513-DCC(D)-47	1401-N65	1494F-S1	1494D-MB150
	150	380-415V 50Hz	50	513-DAN(S)-47	1401-N66	1494F-P1	1494D-MB150
				513-DDN(S)-47	1401-N66	1494F-M1	1494D-MB150
				513-DFN(S)-47	1401-N66	1494F-P1	1494D-MB150
				513-DJN(S)-47	1401-N66	1494F-M1	1494D-MB150
				513-DCN(S)-47	1401-N66	1494F-S1	1494D-MB150

**Repair Parts for Bulletin 513 Combination Starters with Circuit Breaker
 Sizes 0 through 7, Series One Construction NEMA Enclosure Types 1, 3R/12, 4/4X (Stainless Steel)**

Circuit Breaker, Circuit Breaker Handle and Operating Mechanism Repair Parts

Circuit breaker includes line and load lugs. Circuit breaker type is a Westinghouse HMCP Instantaneous Trip breaker.

Part numbers for Type 12 handles include the gasket. All part numbers include defeater lever.

Circuit breaker operating (bail) mechanism operates the 'on-off' toggle switch on the circuit breaker.

NEMA Size	Breaker Size (A)	Line/Motor Voltage	Motor HP	513 Catalog Number (D)=120V Sep. Control	Repair Part Number for Circuit Breaker	Repair Part Number for Circuit Breaker Handle	Repair Part No. for Circuit Breaker Operating Mechanism
Size 4	150	200-208V 60Hz	30	513-EAH(D)-45	1401-N66	1494F-P1	1494D-MB150
				513-EDH(D)-45	1401-N66	1494F-M1	1494D-MB150
				513-EFH(D)-45	1401-N66	1494F-P1	1494D-MB150
				513-EJH(D)-45	1401-N66	1494F-M1	1494D-MB150
				513-ECH(D)-45	1401-N66	1494F-S1	1494D-MB150
	250	200-208V 60Hz	40	513-EAH(D)-46	1401-N68	1494F-P1	1494D-MB250
				513-EDH(D)-46	1401-N68	1494F-M1	1494D-MB250
				513-EFH(D)-46	1401-N68	1494F-P1	1494D-MB250
				513-EJH(D)-46	1401-N68	1494F-M1	1494D-MB250
				513-ECH(D)-46	1401-N68	1494F-S1	1494D-MB250
	150	230-240V 60Hz	40	513-EAA(D)-46	1401-N66	1494F-P1	1494D-MB150
				513-EDA(D)-46	1401-N66	1494F-M1	1494D-MB150
				513-EFA(D)-46	1401-N66	1494F-P1	1494D-MB150
				513-EJA(D)-46	1401-N66	1494F-M1	1494D-MB150
				513-ECA(D)-46	1401-N66	1494F-S1	1494D-MB150
	250	230-240V 60Hz	50	513-EAA(D)-47	1401-N68	1494F-P1	1494D-MB250
				513-EDA(D)-47	1401-N68	1494F-M1	1494D-MB250
				513-EFA(D)-47	1401-N68	1494F-P1	1494D-MB250
				513-EJA(D)-47	1401-N68	1494F-M1	1494D-MB250
				513-ECA(D)-47	1401-N68	1494F-S1	1494D-MB250
	150	380-415V 50Hz	60	513-EAN(S)-48	1401-N66	1494F-P1	1494D-MB150
				513-EDN(S)-48	1401-N66	1494F-M1	1494D-MB150
				513-EFN(S)-48	1401-N66	1494F-P1	1494D-MB150
				513-EJN(S)-48	1401-N66	1494F-M1	1494D-MB150
				513-ECN(S)-48	1401-N66	1494F-S1	1494D-MB150
	100	575-600V 60Hz	60	513-EAC(D)-48	1401-N65	1494F-P1	1494D-MB150
				513-EDC(D)-48	1401-N65	1494F-M1	1494D-MB150
				513-EFC(D)-48	1401-N65	1494F-P1	1494D-MB150
				513-EJC(D)-48	1401-N65	1494F-M1	1494D-MB150
				513-ECC(D)-48	1401-N65	1494F-S1	1494D-MB150
	150	460-480V 60Hz	60 - 75	513-EAB(D)-49	1401-N66	1494F-P1	1494D-MB150
				513-EDB(D)-49	1401-N66	1494F-M1	1494D-MB150
				513-EFB(D)-49	1401-N66	1494F-P1	1494D-MB150
				513-EJB(D)-49	1401-N66	1494F-M1	1494D-MB150
				513-ECB(D)-49	1401-N66	1494F-S1	1494D-MB150
	250	380-415V 50Hz	75	513-EAN(S)-49	1401-N68	1494F-P1	1494D-MB250
				513-EDN(S)-49	1404-N68	1494F-M1	1494D-MB250
				513-EFN(S)-49	1401-N68	1494F-P1	1494D-MB250
				513-EJN(S)-49	1401-N68	1494F-M1	1494D-MB250
				513-ECN(S)-49	1401-N68	1494F-S1	1494D-MB250
	250	460-480V 60Hz	100	513-EAB(D)-50	1401-N68	1494F-P1	1494D-MB250
				513-EDB(D)-50	1401-N68	1494F-M1	1494D-MB250
				513-EFB(D)-50	1401-N68	1494F-P1	1494D-MB250
				513-EJB(D)-50	1401-N68	1494F-M1	1494D-MB250
				513-ECB(D)-50	1401-N68	1494F-S1	1494D-MB250
	150	575-600V 60Hz	75 - 100	513-EAC(D)-50	1401-N66	1494F-P1	1494D-MB150
				513-EDC(D)-50	1401-N66	1494F-M1	1494D-MB150
				513-EFC(D)-50	1401-N66	1494F-P1	1494D-MB150
				513-EJC(D)-50	1401-N66	1494F-M1	1494D-MB150
				513-ECC(D)-50	1401-N66	1494F-S1	1494D-MB150

**Repair Parts for Bulletin 513 Combination Starters with Circuit Breaker
Sizes 0 through 7, Series One Construction NEMA Enclosure Types 1, 3R/12, 4/4X (Stainless Steel)**

Circuit Breaker, Circuit Breaker Handle and Operating Mechanism Repair Parts

Circuit breaker includes line and load lugs. Circuit breaker type is a Westinghouse HMCP Instantaneous Trip breaker.

Part numbers for Type 12 handles include the gasket. All part numbers include defeater lever.

Circuit breaker operating (bail) mechanism operates the 'on-off' toggle switch on the circuit breaker.

NEMA Size	Breaker Size (A)	Line/Motor Voltage	Motor HP	513 Catalog Number (D)=120V Sep. Control	Repair Part Number for Circuit Breaker	Repair Part Number for Circuit Breaker Handle	Repair Part No. for Circuit Breaker Operating Mechanism
Size 5	250	200-208V 60Hz	50 – 60	513-FAH(D)-48	1401-N69	1494F-M2	1494D-MB250
				513-FDH(D)-48	1401-N69	1494F-M2	1494D-MB250
				513-FJH(D)-48	1401-N69	1494F-M2	1494D-MB250
				513-FCH(D)-48	1401-N69	1494F-S2	1494D-MB250
	400	200-208V 60Hz	75	513-FAH(D)-49	40021-935-23	1494F-M2	1494D-MB400
				513-FDH(D)-49	40021-935-23	1494F-M2	1494D-MB400
				513-FJH(D)-49	40021-935-23	1494F-M2	1494D-MB400
				513-FCH(D)-49	40021-935-23	1494F-S2	1494D-MB400
	250	230-240V 60Hz	60 – 75	513-FAA(D)-49	1401-N69	1494F-M2	1494D-MB250
				513-FDA(D)-49	1401-N69	1494F-M2	1494D-MB250
				513-FJA(D)-49	1401-N69	1494F-M2	1494D-MB250
				513-FCA(D)-49	1401-N69	1494F-S2	1494D-MB250
	400	230-240V 60Hz	100	513-FAA(D)-50	40021-935-23	1494F-M2	1494D-MB400
				513-FDA(D)-50	40021-935-23	1494F-M2	1494D-MB400
				513-FJA(D)-50	40021-935-23	1494F-M2	1494D-MB400
				513-FCA(D)-50	40021-935-23	1494F-S2	1494D-MB400
	250	575-600V 60Hz	125	513-FAC(D)-51	1401-N68	1494F-M2	1494D-MB250
				513-FDC(D)-51	1401-N68	1494F-M2	1494D-MB250
				513-FJC(D)-51	1401-N68	1494F-M2	1494D-MB250
				513-FCC(D)-51	1401-N68	1494F-S2	1494D-MB250
	250	380-415V 50Hz	100 – 150	513-FAN(S)-52	1401-N69	1494F-M2	1494D-MB250
				513-FDN(S)-52	1401-N69	1494F-M2	1494D-MB250
				513-FJN(S)-52	1401-N69	1494F-M2	1494D-MB250
				513-FCN(S)-52	1401-N69	1494F-S2	1494D-MB250
	250	460-480V 60Hz	125-150	513-FAB(D)-52	1401-N69	1494F-M2	1494D-MB250
				513-FDB(D)-52	1401-N69	1494F-M2	1494D-MB250
				513-FJB(D)-52	1401-N69	1494F-M2	1494D-MB250
				513-FCB(D)-52	1401-N69	1494F-S2	1494D-MB250
	400	460-480V 60Hz	200	513-FAB(D)-54	40021-935-23	1494F-M2	1494D-MB400
				513-FDB(D)-54	40021-935-23	1494F-M2	1494D-MB400
				513-FJB(D)-54	40021-935-23	1494F-M2	1494D-MB400
				513-FCB(D)-54	40021-935-23	1494F-S2	1494D-MB400
	250	575-600V 60Hz	150-200	513-FAC(D)-54	1401-N69	1494F-M2	1494D-MB250
				513-FDC(D)-54	1401-N69	1494F-M2	1494D-MB250
				513-FJC(D)-54	1401-N69	1494F-M2	1494D-MB250
				513-FCC(D)-54	1401-N69	1494F-S2	1494D-MB250

**Repair Parts for Bulletin 513 Combination Starters with Circuit Breaker
Sizes 0 through 7, Series One Construction NEMA Enclosure Types 1, 3R/12, 4/4X (Stainless Steel)**

Circuit Breaker, Circuit Breaker Handle and Operating Mechanism Repair Parts

Circuit breaker operating (bail) mechanism operates the 'on-off' toggle switch on the circuit breaker.

NEMA Size	Breaker Size (A)	Line/Motor Voltage	Motor HP	513 Catalog Number	Repair Part Number for Circuit Breaker	Repair Part Number for Circuit Breaker Handle	Repair Part No. for Circuit Breaker Operating Mechanism	Line or Load Side Lug for Circuit Breaker (qty 6 req'd)
6		200-208V 60Hz	100	513-GFH-50T 513-GCH-50T	25103-462-01 with 500A rating plug 25107-456-02	40021-656-01 40021-656-02 (stainless steel)	40021-662-05	25109-390-01
		200-208V 60Hz	125	513-GFH-51T 513-GCH-51T	25103-462-01 with 700A rating plug 25107-456-04	40021-656-01 40021-656-02 (stainless steel)	40021-662-05	25109-390-01
		230-240V 60Hz	125	513-GFA-51T 513-GCA-51T	25103-462-01 with 600A rating plug 25107-456-03	40021-656-01 40021-656-02 (stainless steel)	40021-662-05	25109-390-01
		200-208V 60Hz	150	513-GFH-52T 513-GCH-52T	25103-462-01 with 800A rating plug 25107-456-05	40021-656-01 40021-656-02 (stainless steel)	40021-662-05	25109-390-01
		230-240V 60Hz	150	513-GFA-52T 513-GCA-52T	25103-462-01 with 700A rating plug 25107-456-04	40021-656-01 40021-656-02 (stainless steel)	40021-662-05	25109-390-01
		230-240V 60Hz	200	513-GFA-54T 513-GCA-54T	25103-462-01 with 800A rating plug 25107-456-05	40021-656-01 40021-656-02 (stainless steel)	40021-662-05	25109-390-01
		460-480V 60Hz	250	513-GFB-56T 513-GCB-56T	25103-462-01 with 500A rating plug 25107-456-02	40021-656-01 40021-656-02 (stainless steel)	40021-662-05	25109-390-01
		575-600V 60Hz	250	513-GFC-56T 513-GCC-56T	25103-462-01 with 400A rating plug 25107-456-01	40021-656-01 40021-656-02 (stainless steel)	40021-662-05	25109-390-01
		460-480V 60Hz	300	513-GFB-57T 513-GCB-57T	25103-462-01 with 600A rating plug 25107-456-03	40021-656-01 40021-656-02 (stainless steel)	40021-662-05	25109-390-01
		575-600V 60Hz	300	513-GFC-57T 513-GCC-57T	25103-462-01 with 500A rating plug 25107-456-02	40021-656-01 40021-656-02 (stainless steel)	40021-662-05	25109-390-01
		575-600V 60Hz	350	513-GFC-58T 513-GCC-58T	25103-462-01 with 600A rating plug 25107-456-03	40021-656-01 40021-656-02 (stainless steel)	40021-662-05	25109-390-01
7	1200	230-240V 60Hz	250	513-HFA-56T	25103-506-01 with 800A rating plug 25107-504-03	40021-656-01	40021-662-04	25109-476-01
	1200	230-240V 60Hz	300	513-HFA-57T	25103-506-01 with 1000A rating plug 25107-504-05	40021-656-01	40021-662-04	25109-476-01
	1200	460-480V 60Hz	450-500	513-HFB-61T	25103-506-01 with 800A rating plug 25107-504-03	40021-656-01	40021-662-04	25109-476-01
	1200	575-600V 60Hz	450-500	513-HFC-62T	25103-506-01 with 800A rating plug 25107-504-03	40021-656-01	40021-662-04	25109-476-01

**Repair Parts for Bulletin 513 Combination Starters with Circuit Breaker
 Sizes 0 through 7, Series One Construction NEMA Enclosure Types 1, 3R/12, 4/4X (Stainless Steel)**

Replacement Control Circuit Transformers for Size 6 and Size 7 Bulletin 513 Combination Starters

As standard, size 6 and size 7 starters include a control circuit transformer. All transformers have a secondary voltage of 120V 60Hz which matches the coil voltage and frequency of the 'across the line' bulletin 509 starter, included as part of the bulletin 513 starter.

NEMA Size	Line Voltage	Catalog Number of Starter	Control Circuit Transformer	Primary Fuse Size and Type (qty 2 req'd)	Secondary Fuse Size and Type
6	208	513-GFH-	1497-G-HXSX-3-N (500VA)	6.0A 600V Class CC Types KLDL, ATDR, or FNQ-R	6.25A 250V Types FNM, TRM or FLM
	240	513-GFA-	1497-G-BASX-3-N (500VA)	5.0A 600V Class CC Types KLDL, ATDR, or FNQ-R	6.25A 250V Types FNM, TRM or FLM
	480	513-GFB-	1497-C-BASX-3-N (130VA)	1.25A 600V Class CC Types KLDL, ATDR, or FNQ-R	1.8A 600V Class CC Types KLDL, ATDR, or FNQ-R
	600	513-GFC-	1497-G-CXSX-3-N (500VA)	4.0A 600V Class CC Types KLDL, ATDR, or FNQ-R	6.25A 250V Types FNM, TRM or FLM
7	240	513-HFA-	1497-E-BASX-3-N (250VA)	5.0A 600V Class CC Types KLDL, ATDR, or FNQ-R	3.2A 250V Types FNM, TRM or FLM
	480	513-HFB-	1497-E-BASX-3-N (250VA)	2.5A 600V Class CC Types KLDL, ATDR, or FNQ-R	3.2A 250V Types FNM, TRM or FLM
	600	513-HFC-	1497-E-CXSX-3-N (250VA)	2.0A 600V Class CC Types KLDL, ATDR, or FNQ-R	3.2A 250V Types FNM, TRM or FLM

**Repair Parts for Bulletin 513 Combination Starters with Circuit Breaker
Sizes 0 through 7, Series One Construction NEMA Enclosure Types 1, 3R/12, 4/4X (Stainless Steel)**

Enclosure Repair Parts

Enclosure Only repair parts include the external overload reset button (mounted in the cover).

Enclosure hole plugs are not included in the Enclosure Only repair part assemblies.

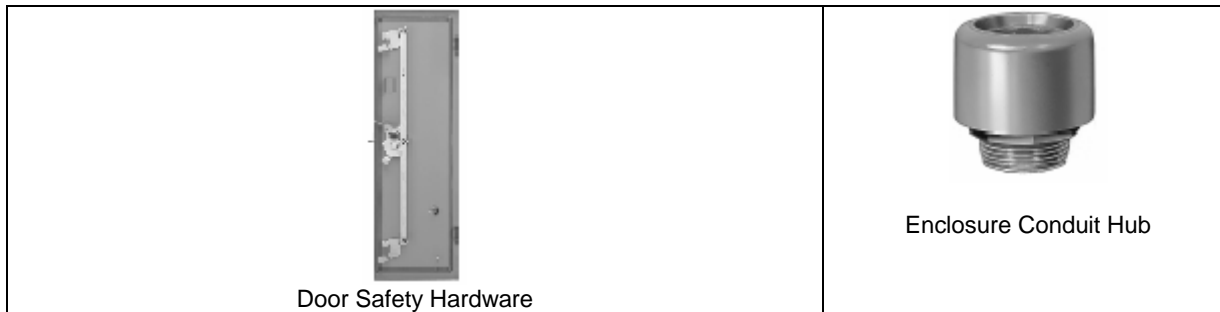
NEMA Sizes	Catalog Number of Starter	Enclosure NEMA Type	Enclosure Only (less Mounting Plate)	Enclosure Mounting Plate	External Overload Reset Button	Enclosure Hole Plugs for External Reset, Door Hardware or Pilot Devices
0-2	513-AA* 513-BA* 513-CA*	1	598-DA27108T	598-P27108T1	1493-N21	800T-N1 (for pilot devices) 598-N1 (for resets and door hardware)
0-2	513-AD* 513-BD* 513-CD*	3R/12	598-DF27108T	598-P27108T1	1493-N21	800T-N1 (for pilot devices) 598-N1 (for resets and door hardware)
0-2	513-AJ* 513-BJ* 513-CJ*	3R/12	598-DF27108T	598-P27108T1	1493-N21	800T-N1 (for pilot devices) 598-N1 (for resets and door hardware)
0-2	513-AC* 513-BC* 513-CC*	4/4X (stainless steel)	598-DC27108T	598-P27108T1	1493-N22	800T-N1 (for pilot devices) 598-N1 (for resets and door hardware)
0-2	513-AF* 513-BF* 513-CF*	3R/4/12	598-DF27108T	598-P27108T1	1493-N21	800T-N1 (for pilot devices) 598-N1 (for resets and door hardware)
3	513-DA* 513-DD* 513-DJ* 513-DC* 513-DF*	1 3R/12 3R/12 4/4X 3R/4/12	598-DA302010T 598-DF302010T 598-DF302010T 598-DC302010T 598-DF302010T	598-P302010T2	1493-N21 1493-N21 Not Used 1493-N22 1493-N21	800T-N1 (for pilot devices) 598-N1 (for resets and door hardware)
4	513-EA* 513-ED* 513-EJ* 513-EC* 513-EF*	1 3R/12 3R/12 4/4X 3R/4/12	598-DA302010T 598-DF302010T 598-DF302010T 598-DC302010T 598-DF302010T	598-P302010T2	1493-N21 1493-N21 Not Used 1493-N22 1493-N21	800T-N1 (for pilot devices) 598-N1 (for resets and door hardware)
5	513-FA* 513-FD* 513-FJ* 513-FC* 513-FF*	1 3R/12 3R/12 4/4X 3R/4/12	598-DA563014T 598-DF563014T 598-DF563014T 598-DC563014T 598-DF563014T	598-P5630T1	1493-N21 1493-N21 Not Used 1493-N22 1493-N21	800T-N1 (for pilot devices) 598-N1 (for resets and door hardware)
6	513-GF* 513-GC*	3R/4/12 4/4X (stainless steel)	598-DF563014T ① 598-DC563014T ②	598-P5630T1	1493-N21 1493-N22	800T-N1 (for pilot devices) 598-N1 (for resets and door hardware)
7	513-HF*	3R/4/12	598-DF844018T ①	Included with enclosure	1493-N21	800T-N1 (for pilot devices) 598-N1 (for resets and door hardware)

- ① Enclosure catalog number does not include the enclosure flange handle adapter plate. Order separately as catalog number 598-N7.
 ② Enclosure catalog number does not include the enclosure flange handle adapter plate. Order separately as catalog number 598-N10.

**Repair Parts for Bulletin 513 Combination Starters with Circuit Breaker
 Sizes 0 through 7, Series One Construction NEMA Enclosure Types 1, 3R/12, 4/4X (Stainless Steel)**

Miscellaneous Repair Parts

Door Safety (Vault) Hardware and Conduit Hubs are not included in the Enclosure Only repair part assemblies listed above.



NEMA Sizes	Catalog Number of Starter	Enclosure NEMA Type	Door Safety (Vault) Hardware in Enclosure Door	Enclosure Conduit Hubs
0 - 2	513-AA* 513-BA* 513-CA*	1	Not Used (Optional)	Not Used
0 - 2	513-AD* 513-BD* 513-CD*	12 (with external reset button in cover)	1494F-V1	Not Used
0 - 2	513-AF* 513-BF* 513-CF*	3R/4/12	Not Used (Optional)	Not Used
0 - 2	513-AJ* 513-BJ* 513-CJ*	12 (without external reset button in cover)	1494F-V1	Not Used
0 - 2	513-AC* 513-BC* 513-CC*	4	Not Used (Optional)	(2) 1490-N10 (1) 1490-N9
3	513-DA* 513-DD* 513-DF* 513-DJ* 513-DC*	1 12 3R/4/12 12 4	Not Used (Optional) 1494F-V2 Not Used (Optional) 1494F-V2 Not used (Optional)	Not Used Not Used Not used Not Used (2) 1490-N5; (1) 1490-N9
4	513-EA* 513-ED* 513-EF* 513-EJ* 513-EC*	1 12 3R/4/12 12 4	Not Used (Optional) 1494F-V2 Not Used (Optional) 1494F-V2 Not used (Optional)	Not Used Not Used Not Used Not used (2) 1490-N7; (1) 1490-N9
5	513-FA* 513-FD* 513-FF* 513-FJ* 513-FC*	1 12 3R/4/12 12 4	Not Used (Optional) 1494F-V4 Not Used (Optional) 1494F-V4 Not used (Optional)	Not Used Not Used Not Used Not used (2) 1490-N8; (1) 1490-N9

Important User Information

Because of the variety of uses for the products described in this publication, those responsible for the application and use of this control equipment must satisfy themselves that all necessary steps have been taken to assure that each application and use meets all performance and safety requirements, including any applicable laws, regulations, codes and standards.

The illustrations, charts, sample programs and layout examples shown in this guide are intended solely for purposes of example. Since there are many variables and requirements associated with any particular installation, Rockwell Automation does not assume responsibility or liability (to include intellectual property liability) for actual use based upon the examples shown in this publication.

Allen-Bradley publication SGI-1.1, *Safety Guidelines for the Application, Installation and Maintenance of Solid-State Control* (available from your local Allen-Bradley office), describes some important differences between solid-state equipment and electromechanical devices that should be taken into consideration when applying products such as those described in this publication.

Reproduction of the contents of this copyrighted publication, in whole or part, without written permission of Rockwell Automation, is prohibited.

Throughout this document we use notes to make you aware of safety considerations:

ATTENTION

Identifies information about practices or circumstances that can lead to personal injury or death, property damage or economic loss



IMPORTANT

Identifies information that is critical for successful application and understanding of the product.

Use only replacement parts and devices recommended by Rockwell Automation to maintain the integrity of the equipment. It is the user's responsibility to ensure that the renewal part number selected is properly matched to the model, series and revision level of the equipment being serviced.

ATTENTION

Servicing energized Industrial Control Equipment can be hazardous. Severe injury or death can result from electrical shock, burn, or unintended actuation of controlled equipment. Recommended practice is to disconnect and lockout control equipment from power sources, and release stored energy, if present.



Refer to **National Fire Protection Association Standard No. NFPA70E, Part 2 and (as applicable) OSHA rules for Control of Hazardous Energy Sources (Lockout/Tagout) and OSHA Electrical Safety Related Work Practices** for safety related work practices, including procedural requirements for lockout/tagout, and appropriate work practices, personnel qualifications and training requirements where it is not feasible to de-energize and lockout or tagout electric circuits and equipment before working on or near exposed circuit parts.

ROCKWELL DISCLAIMS ALL WARRANTIES WHETHER EXPRESSED OR IMPLIED IN RESPECT TO THE INFORMATION (INCLUDING SOFTWARE) PROVIDED HEREBY, INCLUDING THE IMPLIED WARRANTIES OF FITNESS FOR A PARTICULAR PURPOSE, MERCHANTABILITY, AND NON-INFRINGEMENT. Note that certain jurisdictions do not countenance the exclusion of implied warranties; thus, this disclaimer may not apply to you.